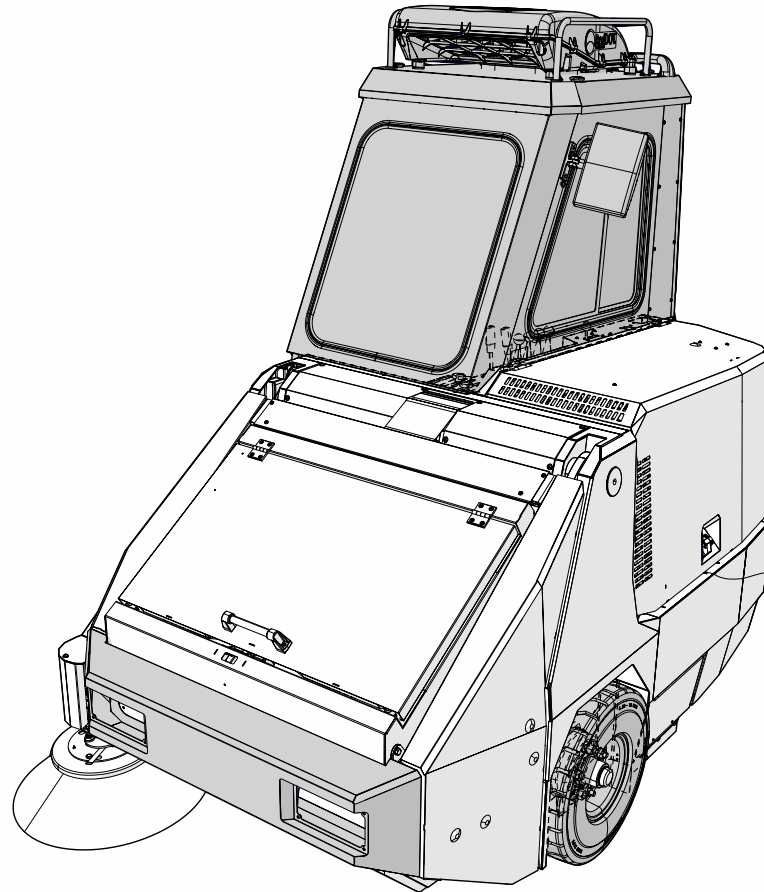


RL 160 - DUO

Ride-On-Sweeper
Gasoline / LPG











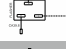








Illustrated Parts List

Read this manual completely and understand the instructions before operating the machine.
"English Version"

TABLE OF CONTENTS



	Table Of Contents & Important Note	3		Side Broom - Left & Right	45
	Introduction	4		Skirt	53
	Section Overview	6		Engine	61
	Chassis	8		Cabin	89
	Firewall	18		Optional Accessories	106
	Operator Seat Group	23		Circuits	127
	Lift Arm	26		Hydraulic Group	134
	Vacuum By-Pass	30		Decals	142
	Hopper	34		Operator Notes	146
	Main Broom	40			

IMPORTANT NOTE:

Roots Multiclean Ltd. (RMCL) is not liable for any legal claims that may arise as a direct or indirect result of the contents of this manual.

Roots Multiclean Ltd.
R.K.G. Industrial Estate, Ganapathy,
Coimbatore - 641 006, India.

P/N: 557440108-00, Rev-A, 08/2019

Prepared by KM, NPM TD Dept.

MACHINE DATA

Please fill at the time of installation for future reference:

Model No. - _____

Serial No. - _____

Engine No. - _____

Accessories - _____

Installation Date - _____



INTRODUCTION

INTRODUCTION



PREFACE

Dear Customer,

We are pleased with you having chosen the **Rhino RL 160 - DUO** for your cleaning requirements. Backed by our industry expertise that spans across two decades, we assure you that the machine comes with ROOTS promise of quality, efficiency and performance.

We advise you to carefully read through the instructions prior to the operation of the machine. This manual contains detailed instructions for the proper operation of the machine, along with important information regarding its handling, care, maintenance and service needs.

We are sure that you will find the machine and its performance to your utmost satisfaction. Once again, we thank you for choosing us as a trusted partner for your cleaning requirements.

Usage, Handling & Modification

Use of the product beyond the specified scope of functioning is deemed improper and the manufacturer cannot be held liable for any damages which may arise due to this.

This machine may be used only by persons who are trained or are familiar with the machine and are aware of the possible hazards involved. The appropriate Accident Prevention Regulations as well as applicable general regulations pertaining to Safety and Health at the work place must be adhered to by the user.

Modifications made to machine without the manufacturer's consent will relieve the manufacturer of responsibility and any possible liability for consequential damage.

Notes on Warranty

Refer the Warranty manual supplied along with the machine.

Acceptance of the Machine

On arrival of the machine at the shipping address, please check for any damage that may have occurred as a result of transit. In the event of any such damage, the purchaser is bound by responsibility to send a claim letter to the concerned authorized dealer with a copy of the invoice. The letter should be sent within 24 hours of receipt of the machine.

NOTE:

ILLUSTRATIONS SHOWN IN THIS MANUAL ARE FOR REPRESENTATIVE PURPOSE ONLY. ACTUAL PRODUCT MAY VARY.

ROOTS reserves the right to change the product or contents of this manual without prior information.

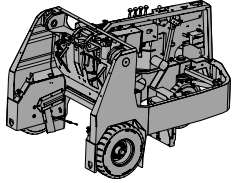
For Engine, Battery, Motors, Blowers or other OEM components related information kindly refer to their manufacturers manual supplied along with the machine for instructions regarding usage, maintenance and service.



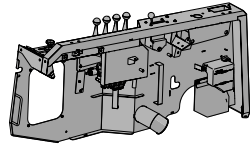


SECTION OVERVIEW

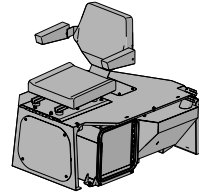
CHASSIS



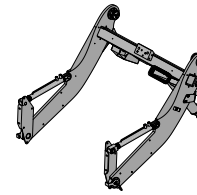
FIREWALL



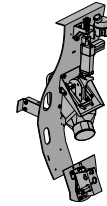
OPERATOR SEAT



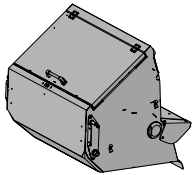
LIFT ARM



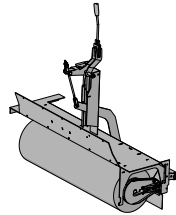
VACUUM BY-PASS



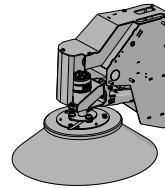
HOPPER



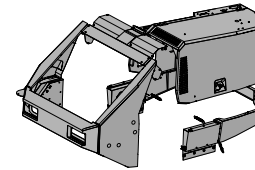
MAIN BROOM



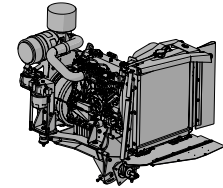
SIDE BROOM



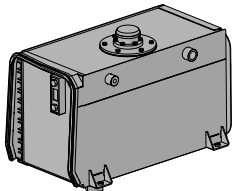
SKIRT



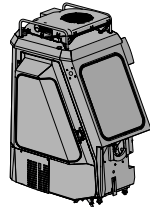
ENGINE



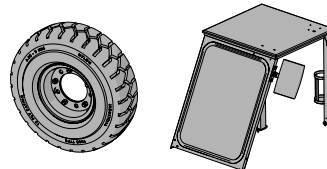
HYDRAULIC



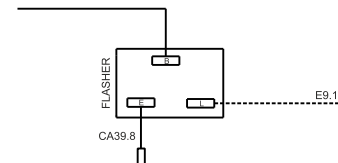
CABIN



OPTIONAL ACCESSORIES



CIRCUIT SCHEMATICS



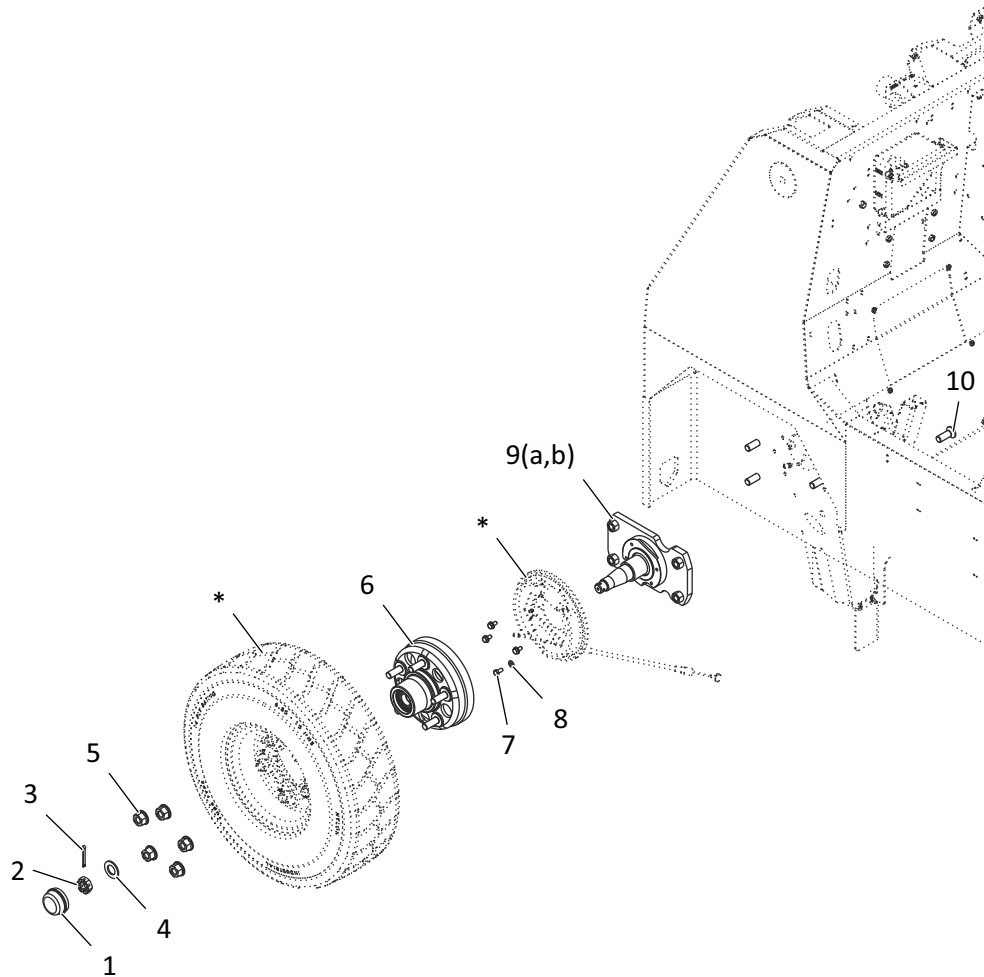
STICKERS





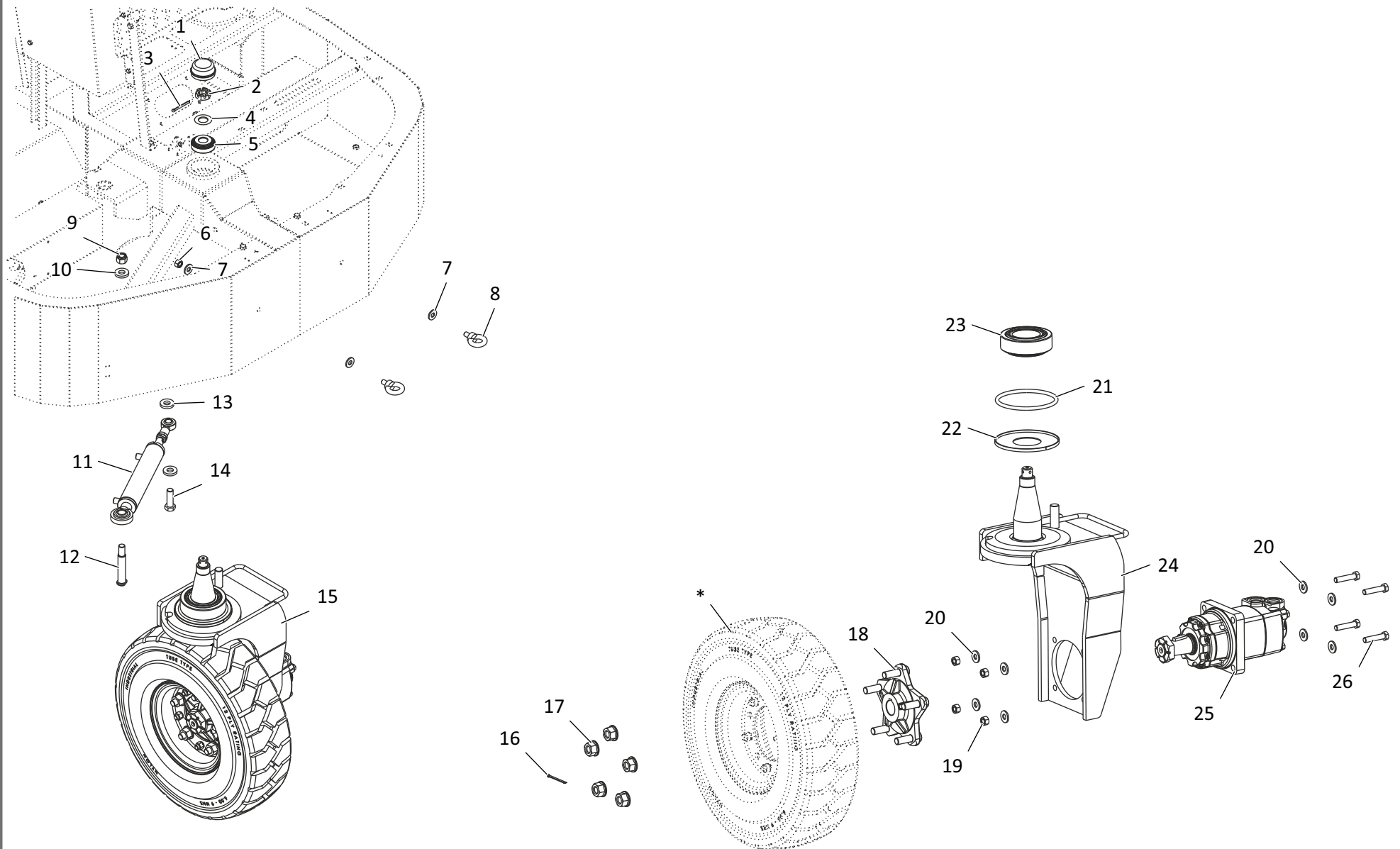
CHASSIS - FRONT WHEEL GROUP

REF. NO.	PART NO	DESCRIPTON	QTY
1	558440023-00	CAP - BEARING	2
2	553440022-00	SLOTTED NUT - M24 X 2P	2
3	552330010-00	COTTER PIN - STEEL 5x 50	2
4	553440394-00	SPECIAL WASHER - 25 X 45 X 3	2
5	553440021-00	NUT-WHEEL (M16)	10
6	558440014-00	HUB ASSY - FRONT	2
7	552850008-00	HEX HEAD SCREW STEEL - 8.8 M8 X 16	8
8	552850203-00	WASHER - EN8 - 8.4x17x1.6	8
9a	558440010-00	AXLE ASSY - LH	1
9b	558440006-00	AXLE ASSY - RH	1
10	552850501-00	HEX SOC CSK HD SCREW - M16x45	8



Note: "*" kindly refer the accessories section in this manual for more details.

CHASSIS - REAR WHEEL GROUP

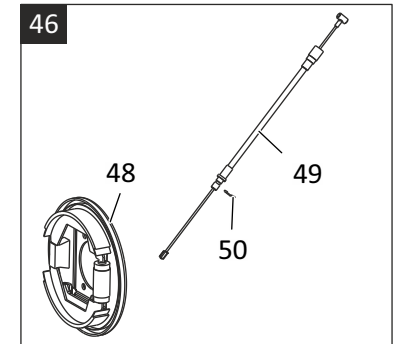
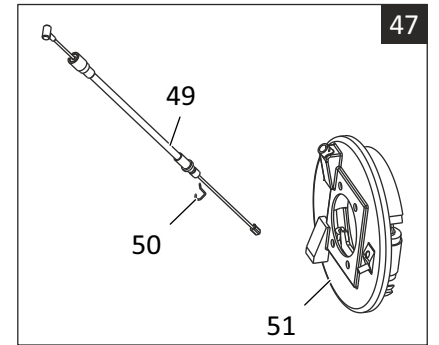
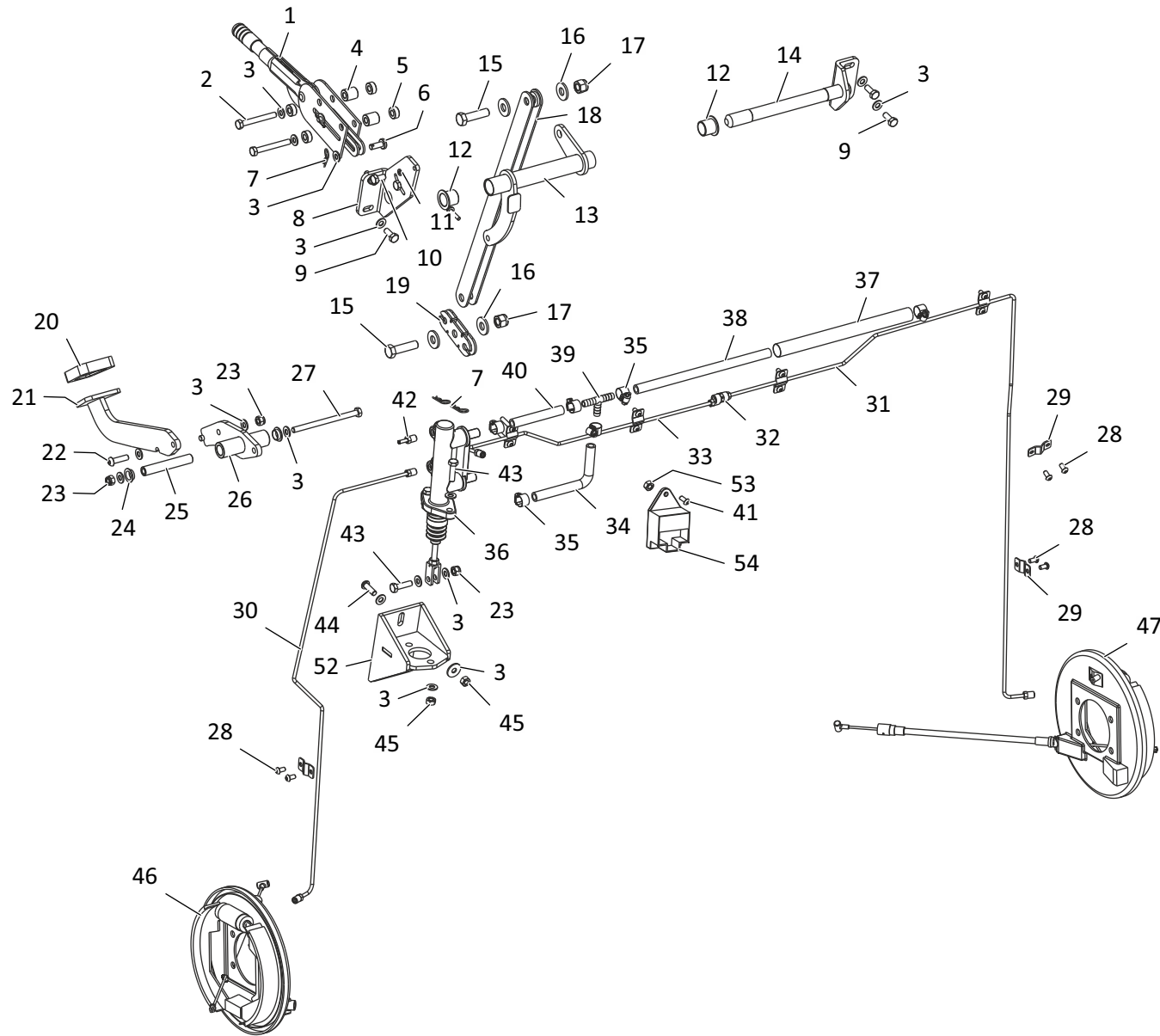


Note: "*" kindly refer the accessories section in this manual for more details.

CHASSIS - REAR WHEEL GROUP

REF. NO.	PART NO	DESCRIPTON	QTY
1	558440023-00	CAP - BEARING	1
2	553440022-00	SLOTTED NUT - M24 X 2P	1
3	552330010-00	COTTER PIN - STEEL 5x 50	1
4	553440394-00	SPECIAL WASHER - 25 X 45 X 3	2
5	552610040-00	TAPER ROLLER BEARING 32007	1
6	552850804-00	HEX NUT - STEEL GR. 8 - M12	2
7	552850207-00	WASHER - EN8 - 12.5x28x3	4
8	553441252-00	EYE BOLT - MACHINE LIFTING M12 X 1.75	2
9	552480015-00	HEX NYLOCK NUT STEEL M16	1
10	553440642-00	CYLINDER WASHER - 17 X 36 X 6	1
11	553440065-00	CYLINDER - STEERING	1
12	553442176-00	REAR END PIN STEERING CYL	1
13	553442177-00	SPECIAL WASHER - 16.2 X 28 X 6	2
14	552850046-00	HEX HD SCREW ST 10.9 -M16 X 50 Zn Green	1
15	558441022-00	WHEEL ASSY - REAR AXLE	1
16	552330015-00	COTTER PIN - STEEL - 4 X 63	1
17	553440021-00	NUT-WHEEL (M16)	5
18	558440046-00	HUB ASSY - REAR	1
19	552850804-00	HEX NUT - STEEL GR. 8 - M12	4
20	552850207-00	WASHER - EN8 - 12.5x28x3	8
21	552430039-00	O' RING - 130 X 8	1
22	558440035-00	GUIDE WELDMENT - O RING	1
23	552610059-00	TAPER ROLLER BEARING 33213	1
24	558441032-00	HOUSING ASSY REAR AXLE WMT	1
25	553440029-00	MOTOR -WHEEL	1
26	552850021-00	HEX HEAD SCREW STEEL - 8.8 M12 X 55	4

CHASSIS - BRAKE GROUP

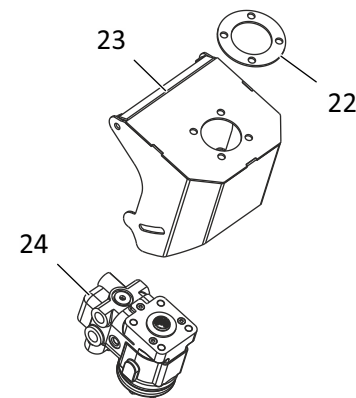
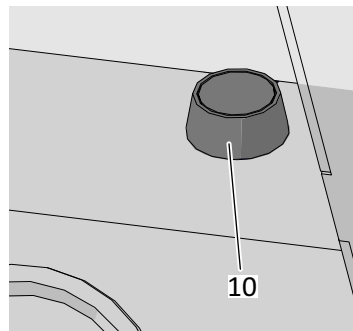
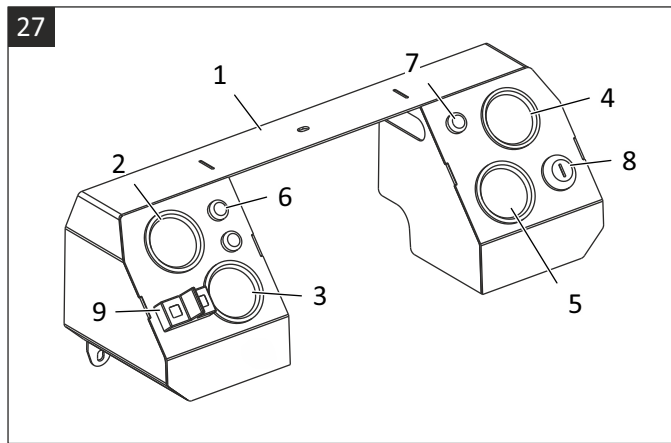
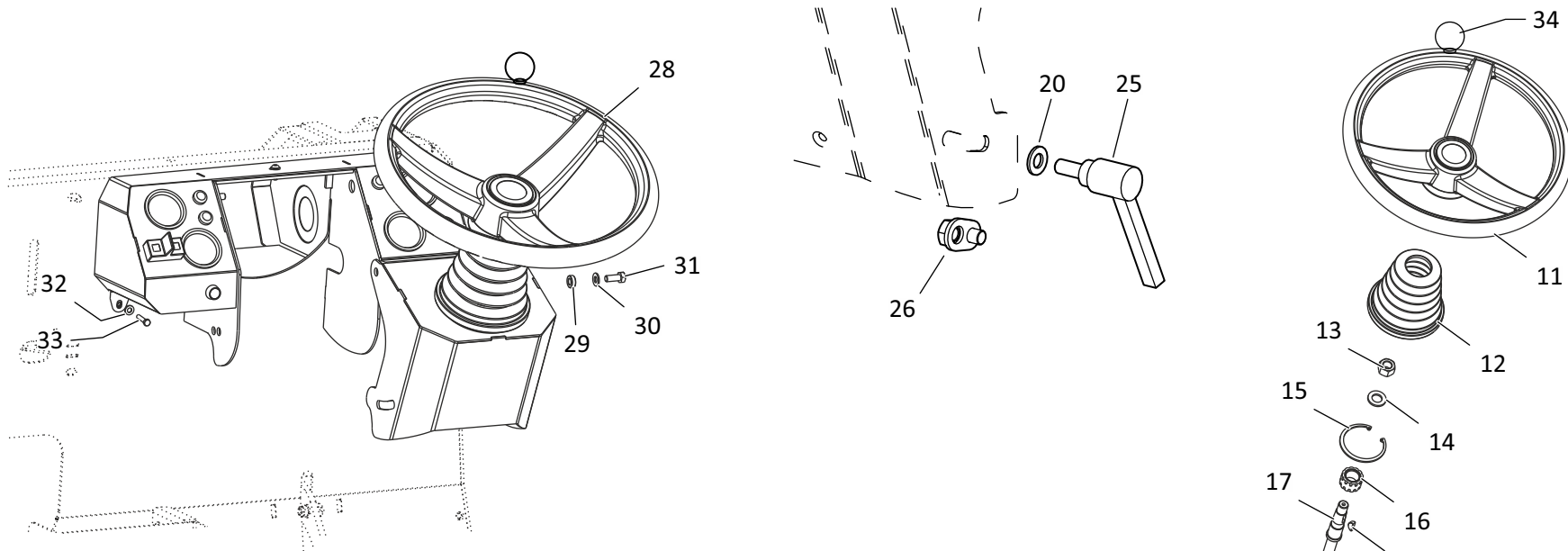


CHASSIS - BRAKE GROUP

REF. NO.	PART NO	DESCRIPTON	QTY
1	558440231-00	PARKING BRAKE LEVER ASSY	1
2	552020020-00	HEX HEAD SCREW - STEEL 8.8 - M8X65	2
3	552850203-00	WASHER - EN8 - 8.4x17x1.6	19
4	553440276-00	SPACER BUSH - 20L - HAND BRAKE	2
5	553442396-00	SPACER BUSH - HAND BRAKE ASSY	4
6	553442181-00	PIN PARKING BRAKE ASSY	1
7	553320110-00	LINCH PIN	3
8	553442377-00	MTG BKT - HAND BRAKE INDICATOR	1
9	552850009-00	HEX HEAD SCREW STEEL - 8.8 M8 X 20	2
10	552850008-00	HEX HEAD SCREW STEEL - 8.8 M8 X 16	17
11	552350008-00	WASHER-STEEL-5.3X10X1	2
12	552610066-00	IGUS BEARING - IGLIDUR GFM 2023-21	2
13	558441035-00	TUBE WMT - HAND BRAKE	1
14	558440153-00	ROD WELDMENT - HAND BRAKE	1
15	552850038-00	HEX HEAD SCREW STEEL - 8.8 M12 X 45	2
16	552850207-00	WASHER - EN8 - 12.5x28x3	4
17	552480014-00	HEX NYLOCK NUT STEEL M12	2
18	558441036-00	LINK LONG WMT - CABLE EXTENSION	2
19	558441037-00	EQUALISER WMT	1
20	553440294-00	RUBBER PAD - FOOT PEDAL	1
21	558441039-00	LEVER BRAKE WMT - FOOT PEDAL	1
22	552850909-00	SOC BUTTON HD CAP SCREW-ST 8.8 - M8 X 30	1
23	552480008-00	HEX NYLOCK NUT STEEL -M8	3
24	552610065-00	IGUS BEARING - IGLIDUR GFM 1416-06	2
25	553440289-00	SLEEVE - FOOT PEDAL	1
26	558441038-00	LEVER INNER WMT - FOOT PEDAL	1
27	552850024-00	HEX HEAD SCREW STEEL - 8.8 M8 X 120	1

REF. NO.	PART NO	DESCRIPTON	QTY
28	552850901-00	SOC BUTTON HD CAP SCREW-ST 8.8 - M6 X 12	10
29	553440066-00	CLAPM - BRAKE TUBE	7
30	558440048-00	BRAKE TUBE ASSY - RH	1
31	558441107-00	BRAKE TUBE ASSY LH WHEEL END	1
32	553442426-00	CONNECTOR - BRAKE METAL PIPE	1
33	558441108-00	BRAKE TUBE ASSY LH CYL END	1
34	553443065-00	HOSE LONG - BRAKE LINE CYL END	1
35	552870051-00	HOSE CLAMP 8 MM STEEL KLIP -WEL/PHONEIX	6
36	553440280-00	MASTER CYL - FOOT BRAKE	1
37	553442941-00	PVC HOSE (BRAKE) - 730MM	1
38	553441270-00	BRAKE LINE INLET OUTLET HOSE	1
39	553350473-00	T JOINT-NOZZLE	1
40	553442431-00	HOSE - BRAKE LINE CYL END	1
41	552850904-00	SOC BUTTON HD CAP SCREW-ST 8.8 - M6 X 25	1
42	558441361-00	BRAKE TUBE WMT - DUMMY	1
43	552850011-00	HEX HEAD SCREW STEEL - 8.8 M8 X 30	3
44	552850010-00	HEX HEAD SCREW STEEL - 8.8 M8 X 25	2
45	552850802-00	HEX NUT - STEEL GR. 8 - M8	4
46	558440229-00	BRAKE SHOE ASSY - RH	1
47	558440228-00	BRAKE SHOE ASSY - LH	1
48	553440001-00	BRAKE SHOE KIT - RH	1
49	553440003-00	CABLE ASSY - BRAKE	2
50	553440005-00	CLIP - CABLE RETENSION - WHEEL SIDE	2
51	553440002-00	BRAKE SHOE KIT - LH	1
52	558440166-00	MOUNT WELDMENT - BRAKE CYL	1
53	552850801-00	HEX NUT - STEEL GR. 8 - M6	1
54	553442930-00	LAMP TIMER KUBOTA	1

CHASSIS - DASHBOARD & STEERING GROUP

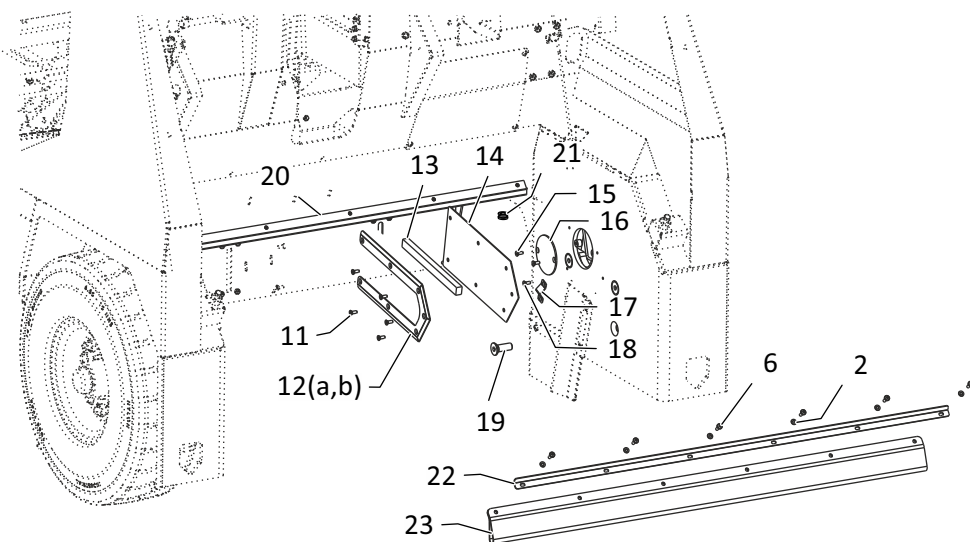
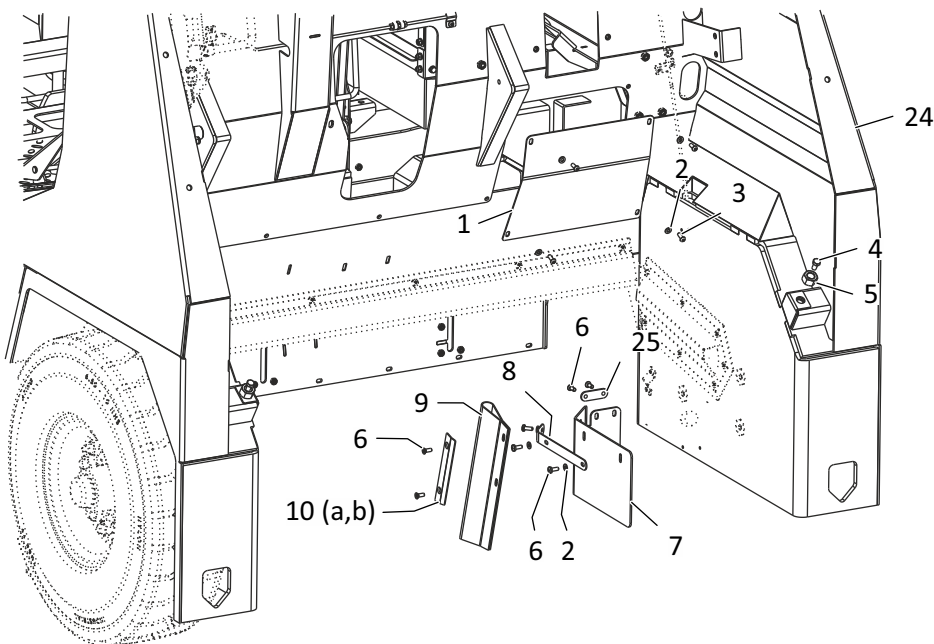


CHASSIS - DASHBOARD & STEERING GROUP

REF. NO.	PART NO	DESCRIPTON	QTY
1	558441784-00	DASHBOARD WELDMENT - DUO	1
2	553443725-00	TEMP. GAUGE - EXPORT	1
3	553440310-00	GAUGE - LUBE OIL PRESSURE	1
4	553440312-00	GAUGE - AMPERE	1
5	553440309-00	GAUGE - FUEL	1
6	553441126-00	RED INDICATOR LIGHT	2
7	553443907-00	ORANGE INDICATOR LIGHT	1
8	558441003-00	STARTER SWITCH KIT - KUBOTA	1
9	553442078-00	SWITCH - INDICATOR	1
10	553100172-00	HORN SWITCH	1
11	553100112-00	STEERING WHEEL	1
12	553442425-00	BELLOW - STEERING ASSY	1
13	552850805-00	HEX NUT - STEEL GR. 8 - M16	1
14	552350025-00	WASHER-STEEL-17X30X3	1
15	552670114-00	CIRCLIP - B35	1
16	553440505-00	MASTER JACKET BUSH	1
17	553440056-00	SHAFT - STEERING COLUMN	1
18	553100111-00	WOOD RUFF KEY STEERING WHEEL	1
19	552850018-00	HEX HEAD SCREW STEEL - 8.8 M10 X 30	4
20	552850205-00	WASHER - EN8 - 10.5x20x2	5

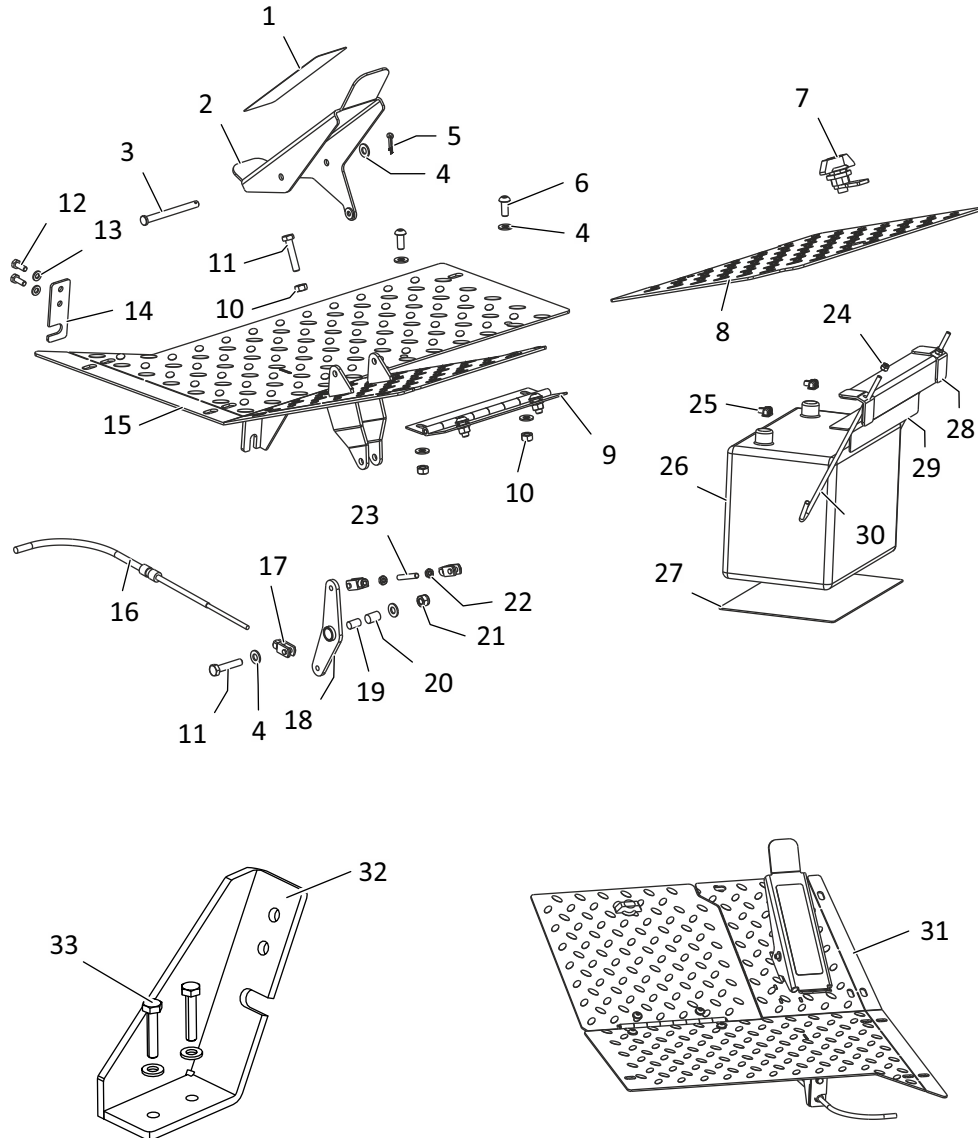
REF. NO.	PART NO	DESCRIPTON	QTY
21	558441041-00	COLUMN WMT - STEERING	1
22	553442193-00	RUBBER GASKET STEERING COLUMN	1
23	558441040-00	TILT WMT - STEERING	1
24	553440348-00	STEERING - CONTROL UNIT	1
25	553440061-00	ADJUSTABLE LOCK-TILT	1
26	558440062-00	HOLDER ASSY - ADJ LOCK	1
27	558441782-00	DASH BOARD ASSY - DUO	1
28	558441078-00	STEERING WHEEL ASSY	1
29	553442194-00	BUSH - STEERING TILT HINGE	2
30	552850203-00	WASHER - EN8 - 8.4X17X1.6	2
31	552850009-00	HEX HEAD SCREW STEEL - 8.8 M8 X 20	2
32	552850201-00	WASHER - EN8 - 6.4x12.5x1.6	2
33	552850044-00	HEX HEAD SCREW STEEL 8.8 - M5 X 25	2
34	558441318-00	STEERING KNOB ASSEMBLY	1
35	558441495-00	SUPPORT-STEERING MOUNT WMT- CHASSIS-E4	1

CHASSIS - APRON GROUP



REF. NO.	PART NO	DESCRIPTON	QTY
1	553442432-00	MAN HOLE COVER RADIATOR - CHASSIS ASSY	1
2	552850201-00	WASHER - EN8 - 6.4x12.5x1.6	16
3	552850902-00	SOC BUTTON HD CAP SCREW-ST 8.8 - M6 X 16	4
4	552850049-00	HEX HEAD SCREW STEEL - 8.8 - M16 X 60	2
5	552850805-00	HEX NUT - STEEL GR. 8 - M16	2
6	552850304-00	CR PAN HEAD SCREW - STEEL - M6 X 16	20
7	553442378-00	MUDGUARD RUBBER WHEEL GUARD	2
8	553441120-00	PLATE - WHEEL GUARD RH	2
9	553442361-00	RUBBER INCLINED - MUDGUARD LH	2
10 a	553442351-00	PLATE LH - WHEEL GUARD INCLINED RUBBER	1
10 b	553442355-00	PLATE RH - WHEEL GUARD INCLINED RUBBER	1
11	552850401-00	CR CSK HEAD SCREW STEEL - M6 X 16	14
12 a	553442348-00	BKT - LH WHEEL GUARD RUBBER MTG	1
12 b	553442349-00	BKT - RH WHEEL GUARD RUBBER MTG	1
13	553442360-00	RUBBER - MUDGUARD LH	2
14	553442448-00	SPONGE RUBBER CELL 225 - 2015	2
15	552850502-00	HEX SOC CSK HD SCREW - M6x16	4
16	553442350-00	MUDGUARD COVER WHEEL GUARD LH & RH	2
17	553441188-00	CLAMP - BRAKE CABLE	2
18	552850901-00	SOC BUTTON HD CAP SCREW-ST 8.8 - M6 X 12	4
19	552850501-00	HEX SOC CSK HD SCREW - M16x45	8
20	558441074-00	FRONT SEALING WMT	1
21	553100238-00	MOUNTING BUSH BM	2
22	553442374-00	PLATE - FRONT RUBBER SEALING	1
23	553442354-00	FRONT SEALING RUBBER CHASSIS	1
24	558441596-00	CHASSIS WMT - DUO	1
25	553442240-00	REAR PLATE - WHEEL GUARD RUBBER MTG	2

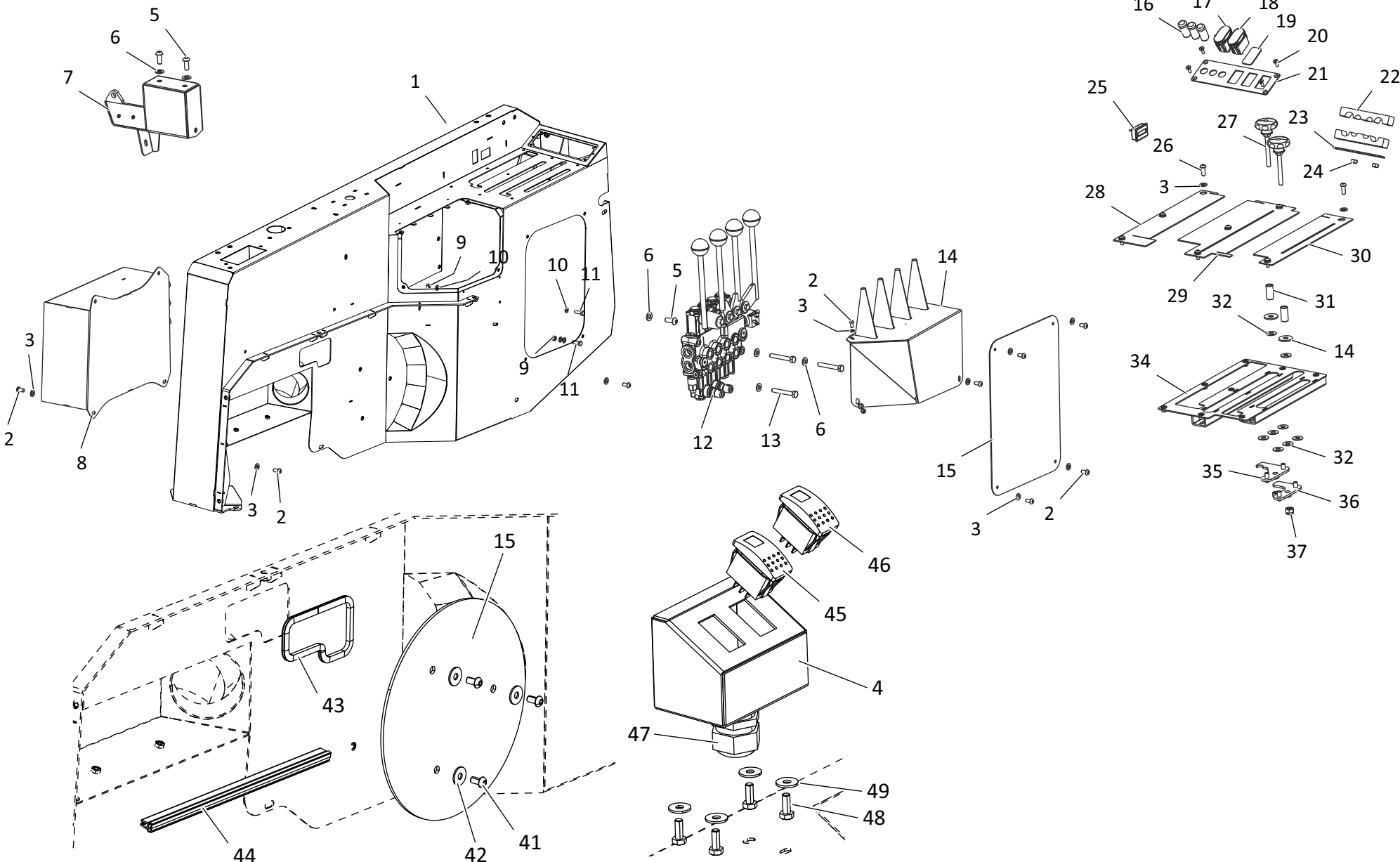
CHASSIS - FLOOR BOARD GROUP



REF. NO.	PART NO	DESCRIPTON	QTY
1	553100592-00	3M SAFETY WALK 610 S/W BLACK	1
2	558441067-00	FOOT PEDAL WMT	1
3	553440073-00	CLEVIS PIN - THROTTLE PEDAL - 8 X 85	1
4	552850203-00	WASHER - EN8 - 8.4x17x1.6	11
5	552330003-00	COTTER PIN - STEEL - 2X16	1
6	552850907-00	SOC BUTTON HD CAP SCREW-ST 8.8 - M8 X 20	4
7	553441224-00	LOCK - BATTERY DOOR	1
8	553442324-00	DOOR - BATTERY - FLOOR BOARD ASSY	1
9	553440320-00	HINGE - BATTERY DOOR	1
10	552850802-00	HEX NUT - STEEL GR. 8 - M8	5
11	552850012-00	HEX HEAD SCREW STEEL - 8.8 M8 X 40	2
12	552850004-00	HEX HEAD SCREW STEEL - 8.8 M6 X 16	2
13	552850201-00	WASHER - EN8 - 6.4x12.5x1.6	2
14	553443340-00	HOLDER - HST CABLE PEDAL END - E4	1
15	558441779-00	FLOOR BOARD WMT - DUO	1
16	553440071-00	CABLE - PUSH PULL - HST CONTROL	1
17	553442393-00	CLEVIS JOINT WITH SPRING LOADED PIN - M6	3
18	558441066-00	CRANK WMT PEDAL	1
19	553440109-00	SLEEVE - CRANK	1
20	552610063-00	IGUS BEARING - IGLIDUR GSM-1214-15	1
21	552480008-00	HEX NYLOCK NUT STEEL -M8	1
22	552250003-00	HEX LOCK NUT - STEEL GR. 08 - M6	2
23	553442325-00	STUD - ACCELERATOR CLEVIS	1
24	552480011-00	HEX NYLOCK NUT STEEL M6	2
25	553320503-00	BOOT-BATTERY CLAMP	2
26	553461244-00	BATTERY 12V 80AH 105D31R AMARON GO	1
27	553442920-00	FLOOR RUBBER - BATTERY	1
28	558441073-00	PLATE WMT - BATTERY	1
29	553442398-00	RUBBER FLAP - BATTERY	1
30	553440407-00	U BOLT - BATTERY ASSY	2
31	558441496-00	FLOOR BOARD ASSY - E4	1
32	558441497-00	BKT - HST CABLE HOLDER WMT	1
33	552850005-00	HEX HD SCREW - STEEL 8.8 - M6X20	2



FIREWALL ASSEMBLY

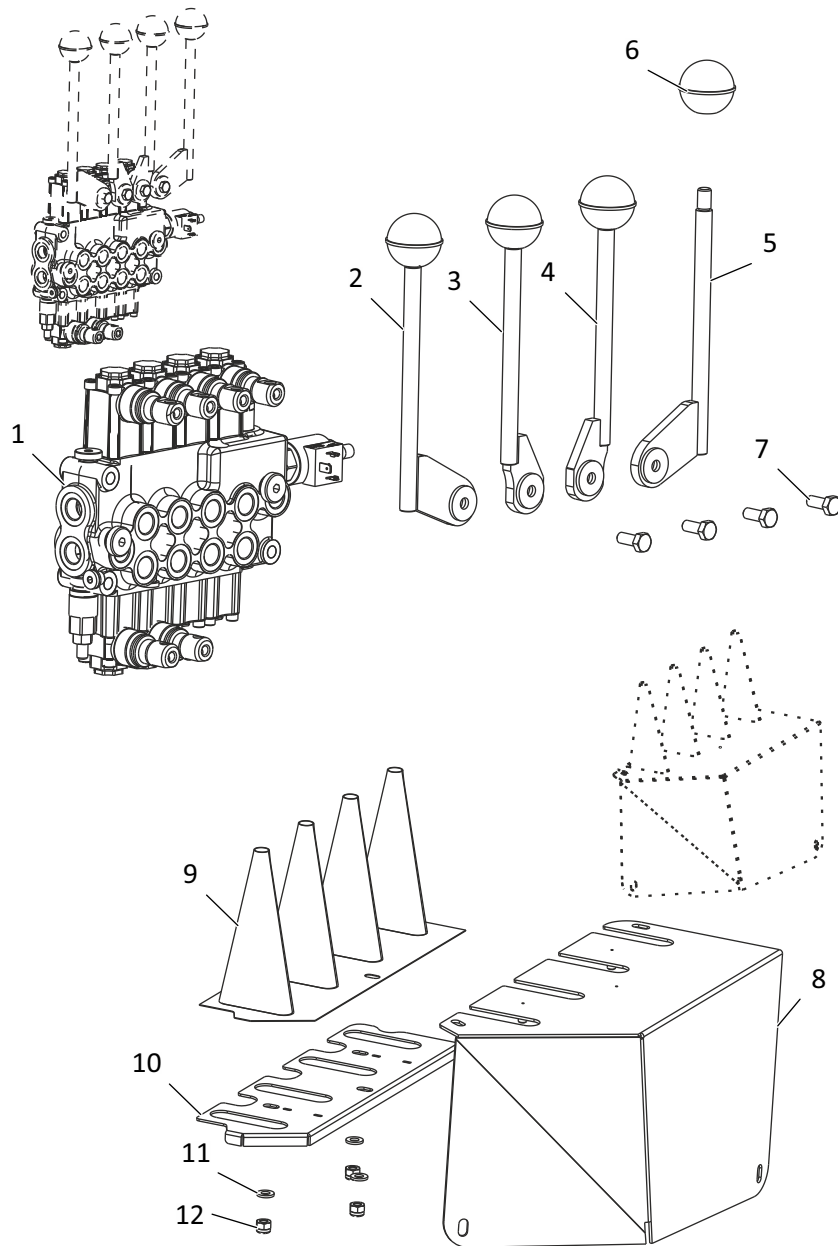


FIREWALL ASSEMBLY

REF. NO.	PART NO	DESCRIPTON	QTY
1	558441597-00	FIREWALL WMT - DUO	1
2	552850901-00	SOC BUTTON HD CAP SCREW-ST 8.8 - M6 X 12	8
3	552850201-00	WASHER - EN8 - 6.4x12.5x1.6	16
4	558441766-00	THROTTLE SWITCHBOX WMT	1
5	552850907-00	SOC BUTTON HD CAP SCREW-ST 8.8 - M8 X 20	3
6	552850203-00	WASHER - EN8 - 8.4x17x1.6	6
7	558441047-00	FW GS MTG BKT WMT	1
8	558441783-00	FUSE BOX ASSY - DUO	1
9	552850808-00	HEX NUT - STEEL FR 8.8 - M5	3
10	552350008-00	WASHER-STEEL-5.3X10X1	6
11	552850050-00	HEX HEAD SCREW STEEL - 8.8 - M5 X 16	2
12	558441060-00	CONTROL VALVE ASSY	1
13	552850025-00	HEX HEAD SCREW STEEL - 8.8 M8 X 55	3
14	558441054-00	COVER ASSY - CONTROL VALVE	1
15	553443908-00	LPG RUBBER PAD - DUO	1
16	553441126-00	RED INDICATOR LIGHT	3
17	553441254-00	SWITCH - VACCUM BYPASS	1
18	553441228-00	SWITCH - HEAD LIGHT	1
19	553442444-00	SWITCH - PANEL PLUG	1
20	552110004-00	CR CSK HD SCREW - SS304 - M4X12	4
21	553442243-00	PLATE - SWITCH MTG FW ASSY	1
22	553442238-00	NYLON HOSE CLAMP FIREWALL ASSY	2
23	553442242-00	BOTTOM PLATE - NYLON BLOCK MTG	1

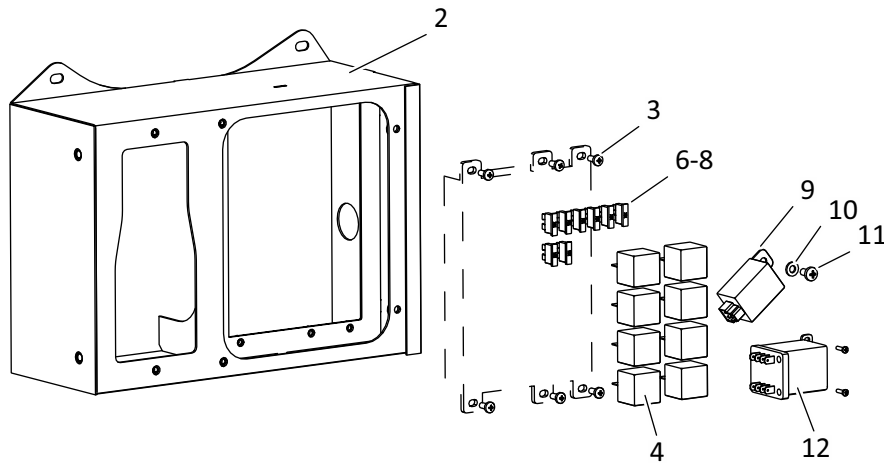
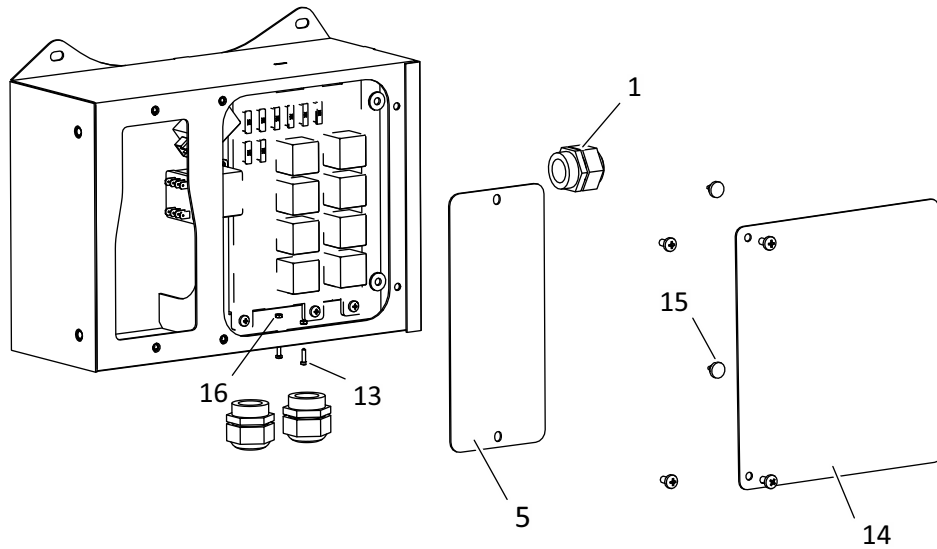
REF. NO.	PART NO	DESCRIPTON	QTY
24	552850801-00	HEX NUT - STEEL GR. 8 - M6	3
25	553442952-00	HOUR METER (CURTIS) - 12V	1
26	552850902-00	SOC BUTTON HD CAP SCREW-ST 8.8 - M6 X 16	8
27	558441051-00	KNOB ASSY - SB & MB	2
28	553442439-00	RUBBER SHEET LH - MB & SB STOPPER ASSY	1
29	553442440-00	RUBBER SHEET MIDDLE-MB & SB STOPPER ASSY	1
30	553442441-00	RUBBER SHEET RH - MB & SB STOPPER ASSY	1
31	553442236-00	BUSH - BRUSH STOPPER ASSY	2
32	552850204-00	WASHER - EN8 - 8.4x24x2	2
33	552610072-00	IGUS THRUST WASHER GTM-0818-015	8
34	558441048-00	BASE BRUSH GUIDE WMT	1
35	558441049-00	SB FREE ADJ WMT	1
36	558441050-00	MB FREE ADJ WMT	1
37	552480008-00	HEX NYLOCK NUT STEEL -M8	2
38	553443638-00	RUBBER SHEET THROTTLE - FW ASSY	1
39	553443328-00	FLAP - FW REAR END -E4	1
40	553443329-00	PLATE MTG - FW REAR FLAP -E4	1
41	552850906-00	SOC BUTTON HD CAP SCREW - STEEL - M8X16	3
42	552850204-00	WASHER - EN8 - 8.4X24X2.0	5
43	553443951-00	EDGE PROTECTOR - HYD HOSE (FW WMT)	1
44	553443943-00	BEADING HYD TANK - DUO	1
45	553443911-00	SWITCH /FNR (RED/GREEN LED)	1
46	553443910-00	SWITCH ON/OFF (RED LED)	1
47	552900016-00	CABLE GLAND M25 X 1.5	1
48	552850004-00	HEX HD SCREW - STEEL 8.8 - M6X16	4
49	552850202-00	WASHER - EN8 - 6.4x18x2	4

FIREWALL ASSEMBLY - CONTROL VALVE & COVER GROUP



REF. NO.	PART NO	DESCRIPTON	QTY
1	553442423-00	CONTROL VALVE	1
2	558441063-00	PLATE WMT - MB	1
3	558441064-00	LEVER WMT - LIFT	1
4	558441062-00	LEVER TILT WMT	1
5	558441061-00	LEVER DOOR - WMT	1
6	553440352-00	KNOB - M10	4
7	552850009-00	HEX HEAD SCREW STEEL - 8.8 M8 X 20	4
8	558441055-00	COVER WMT - CONTROL VALVE	1
9	553442397-00	REXINE - CONTROL VALVE LEVERS	1
10	558441056-00	PLATE WMT - REXINE	1
11	552350011-00	WASHER-STEEL-6.4X12.5X1.6	3
12	552480011-00	HEX NYLOCK NUT STEEL M6	3

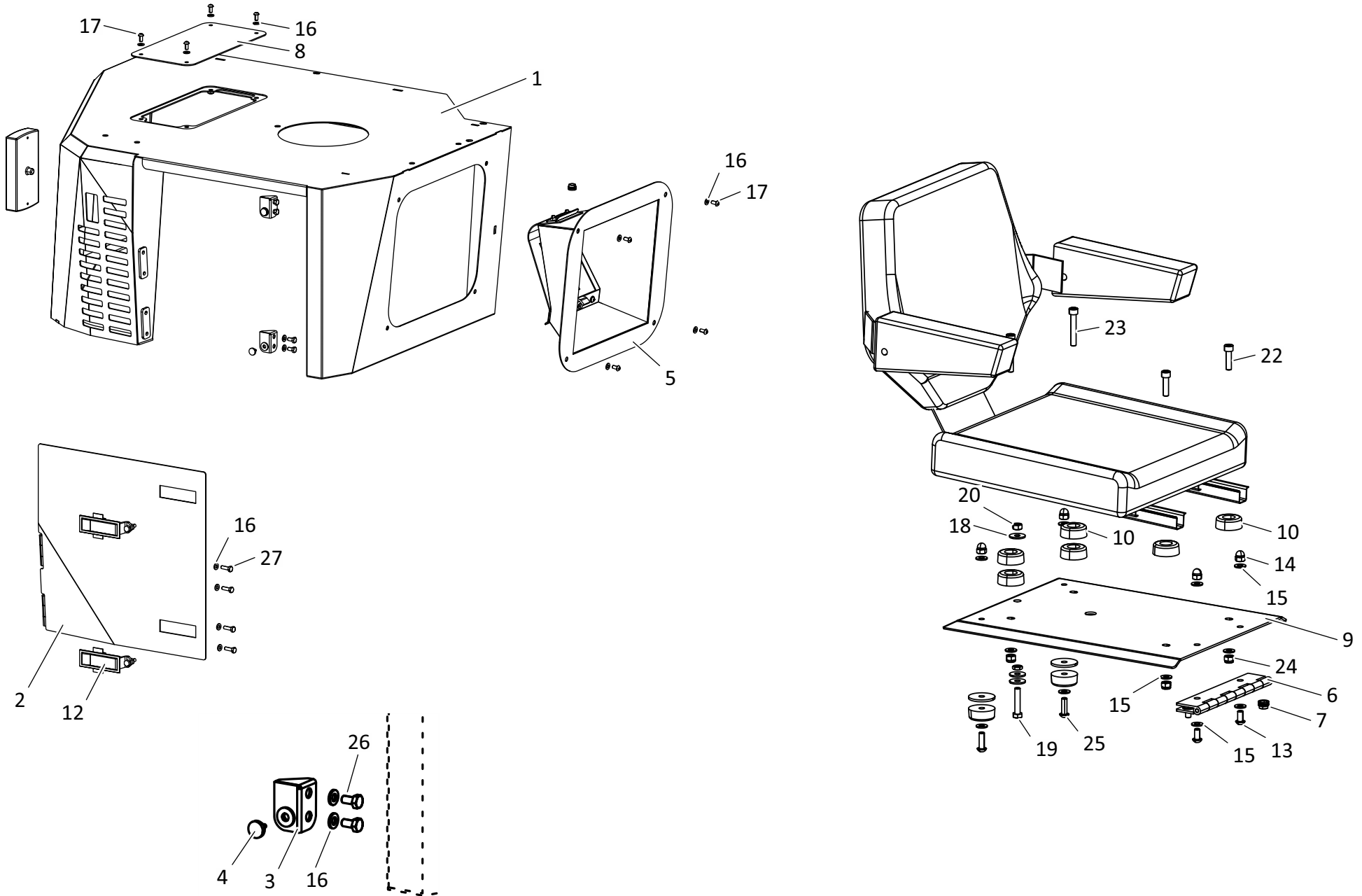
FIREWALL ASSEMBLY - FUSE BOX GROUP



REF. NO.	PART NO	DESCRIPTON	QTY
1	552900006-00	CABLE GLAND M32	3
2	558441452-00	FUSE BOX WMT - E4	1
3	552130011-00	CR PAN HEAD SCREW - STEEL - M5X12	6
4	553442929-00	5 - PIN NC RELAY	7
5	553443914-00	COVER PLT - FUSE BOX DUO	1
6	553442438-00	BLADE FUSE - 25A	1
7	553442437-00	BLADE FUSE - 20A	2
8	553442435-00	BLADE FUSE - 10A	3
9	553442442-00	FLASHER 12V SE/SK 1613	1
10	552850201-00	WASHER - EN8 - 6.4X12.5X1.6	1
11	552850302-00	CR PAN HEAD SCREW - STEEL - M6 X 12	5
12	553441331-00	PLA RELAY	2
13	552130002-00	CR PAN HEAD SCREW - STEEL - M3X12	4
14	553443219-00	FRONT COVER - FUSE BOX - E4	1
15	553440331-00	SB DAMPER - RUBBER	2
16	552850806-00	HEX NUT STEEL - M3	2

OPERATOR STATION ASSEMBLY

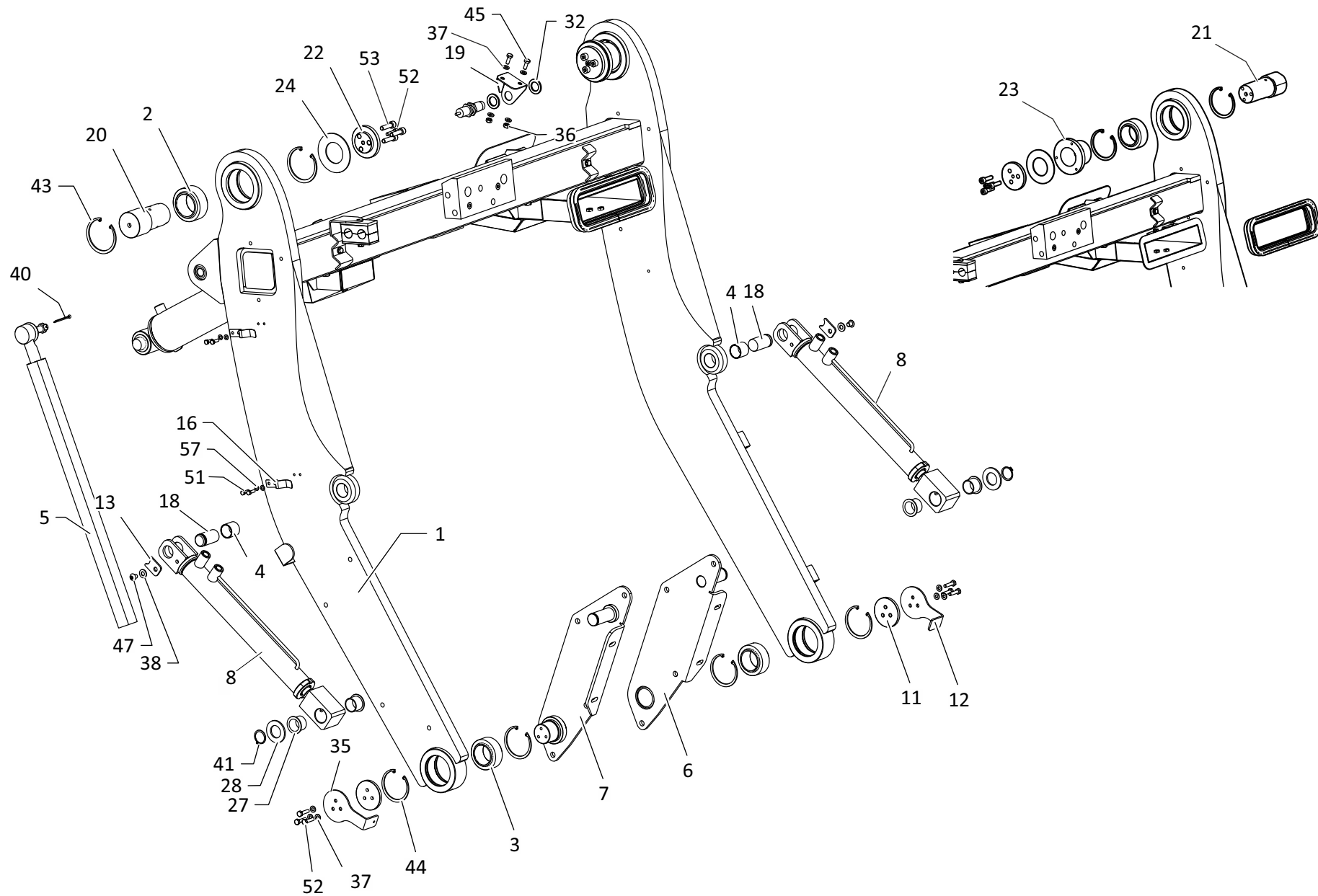
OPERATOR STATION ASSEMBLY



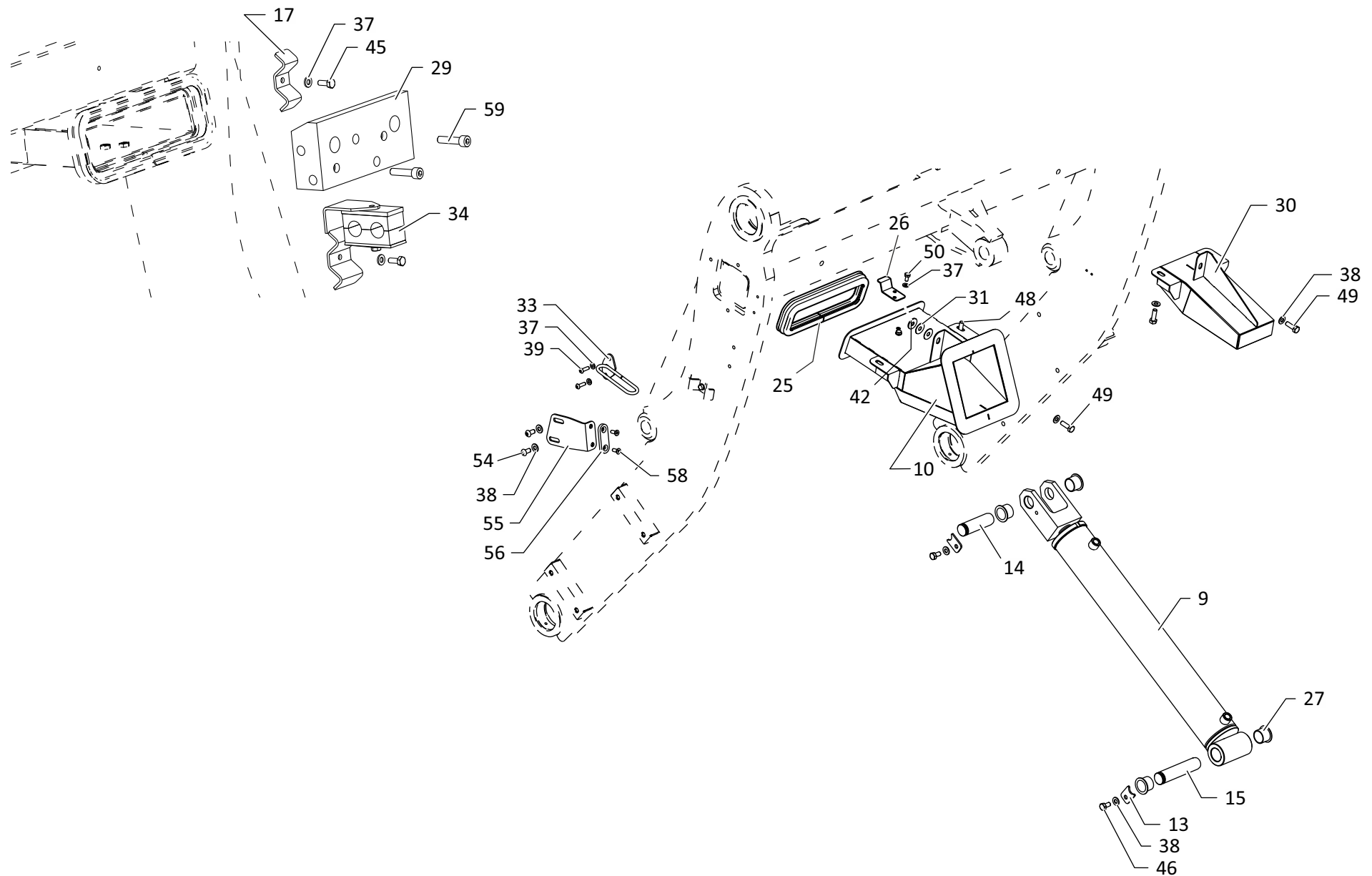
OPERATOR STATION ASSEMBLY

REF.NO	PART NO	DESCRIPTON	QTY
1	558441775-00	OP HOOD WMT - DUO	1
2	558441595-00	LPG CLY DOOR WMT	1
3	558441780-00	LOCK BKT - LPG DOOR WMT	2
4	553440331-00	SB DAMPER - RUBBER	2
5	558441994-00	LPG CYL FRONT DOOR ASSY	1
6	553440822-00	HINGE - OP HOOD ASSY	1
7	553310168-00	GROOMET - TERMINAL	2
8	553443886-00	OP HOOD HT - COVER - DUO	1
9	553440821-00	PLATE SEAT MTG - OP HOOD ASSY	1
10	553440823-00	BUSH - SEAT MOUNTING	8
11	553442984-00	SPACER - OP SEAT ASSY	2
12	553443854-00	LOCK - LPG CYL DOOR	2
13	552850906-00	SOC BUTTON HD CAP SCREW - STEEL - M8X16	4
14	552300005-00	DOMECAP NUT - SS304 - M8	4
15	552850203-00	WASHER - EN8 - 8.4X17X1.6	14
16	552850201-00	WASHER - EN8 - 6.4X12.5X1.6	16
17	552850901-00	SOC BUTTON HD CAP SCREW - STEEL - M6X12	8
18	552850204-00	WASHER - EN8 - 8.4X24X2.0	3
19	552850012-00	HEX HD SCREW - STEEL 8.8 - M8X40	1
20	552850802-00	HEX NUT - STEEL GR.8 - M8	1
21	552250004-00	HEX LOCK NUT - STEEL M8	1
22	552850606-00	HEX SOC HD CAP SCREW - STEEL - M8X30	2
23	552850608-00	HEXSOC HEAD CAP SCREW-STEEL-M8X50	2
24	552480008-00	HEX NYLOCK NUT - STEEL GR.8 - M8	4
25	552850908-00	SOC BUTTON HD CAP SCREW - STEEL - M8X25	2
26	552850003-00	HEX HD SCREW - STEEL 8.8 - M6X12	4
27	552850005-00	HEX HD SCREW - STEEL 8.8 - M6X20	4

LIFT ARM ASSEMBLY



LIFT ARM ASSEMBLY



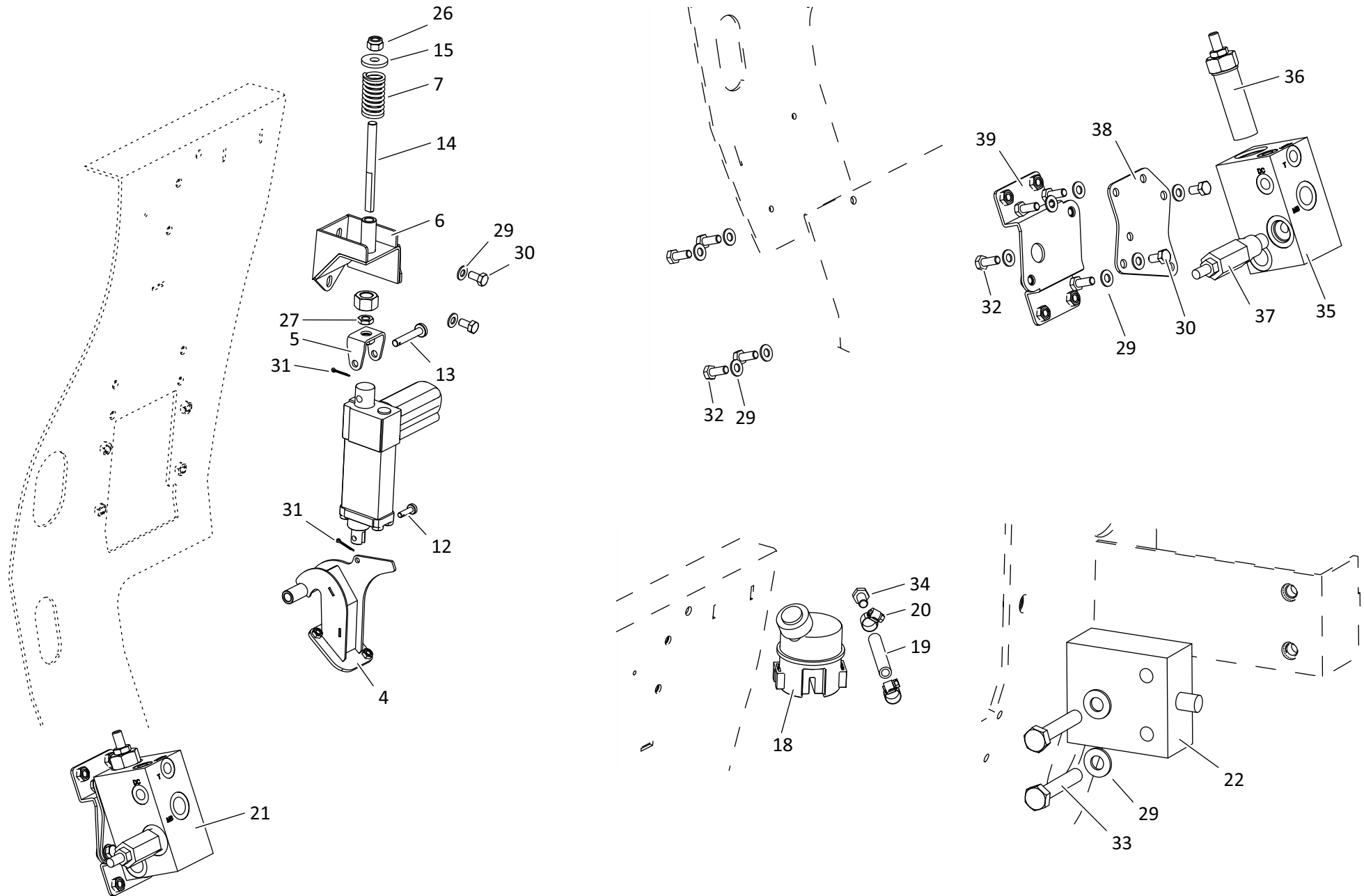
LIFT ARM ASSEMBLY

REF.NO.	PART NO	DESCRIPTON	QTY
1	558441264-00	LIFT ARM WMT	1
2	552610074-00	BEARING - PLAIN SPHERICAL - GE45 UK 2RS	2
3	552610075-00	BEARING - PLAIN SPHERICAL - GE40 UK 2RS	2
4	552610064-00	IGUS BEARING - IGLIDUR GSM-2528-25	2
5	558440528-00	SAFETY STOPPER - WELDMENT	1
6	558441269-00	PIN WMT LH - HOPPER END	1
7	558441271-00	PIN WMT RH - HOPPER END	1
8	553442802-00	TILT CYLINDER - HYDRAULIC	2
9	553442801-00	LIFT CYLINDER HYDRAULIC	1
10	558441448-00	DUCT WMT ARM ASSY - E4	1
11	553442458-00	RETAINER - HOPPER PIVOT - ARM ASSY	2
12	553442459-00	PLATE - HOSE GUIDE	2
13	553440544-00	LOCKER - PIVOT PIN	4
14	553440537-00	PIN - LIFT CYL (ROD END)	1
15	553440536-00	PIN - LIFT CYL (BASE END)	1
16	553440404-00	SPRING - MB SPANNER	2
17	553442614-00	HYD HOSE CLAMP - ARM ASSY	2
18	553440538-00	PIN - TILT CYL (BASE END)	2
19	553441266-00	PROXIMITY SENSOR MTG PLATE	1
20	553440539-00	PIN - ARM (CHASSIS END)	1
21	553442460-00	PIN LH CHASSIS END - ARM ASSY	1
22	553440543-00	RETAINER - ARM PIVOT (CHASSIS END)	2
23	553442461-00	SLEEVE - ARM PIVOT LH CHASSIS END	1
24	553440448-00	BELLEVILLE SPRING - 43 X 80 X 2	2
25	553440358-00	BEADING - DUCT MOUTH	1
26	553442462-00	CLAMP - BEADING	1
27	552610053-00	IGUS BEARING - IGLIDUR GFM 2528-21	8
28	553440394-00	SPECIAL WASHER - 25 X 45 X 3	2
29	553442292-00	MANIFOLD - SB & TC	1
30	558441272-00	STOPPER WMT - ARM ASSY	1

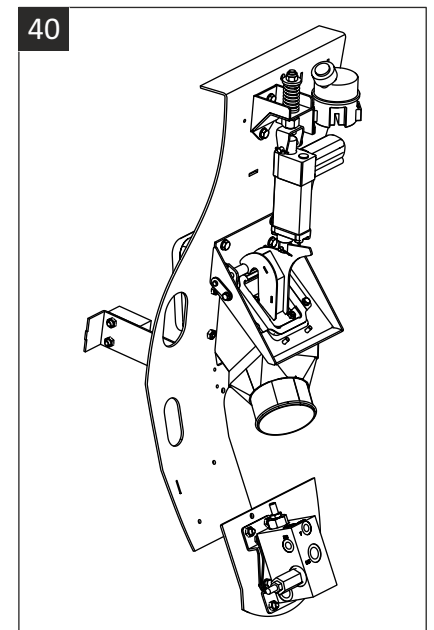
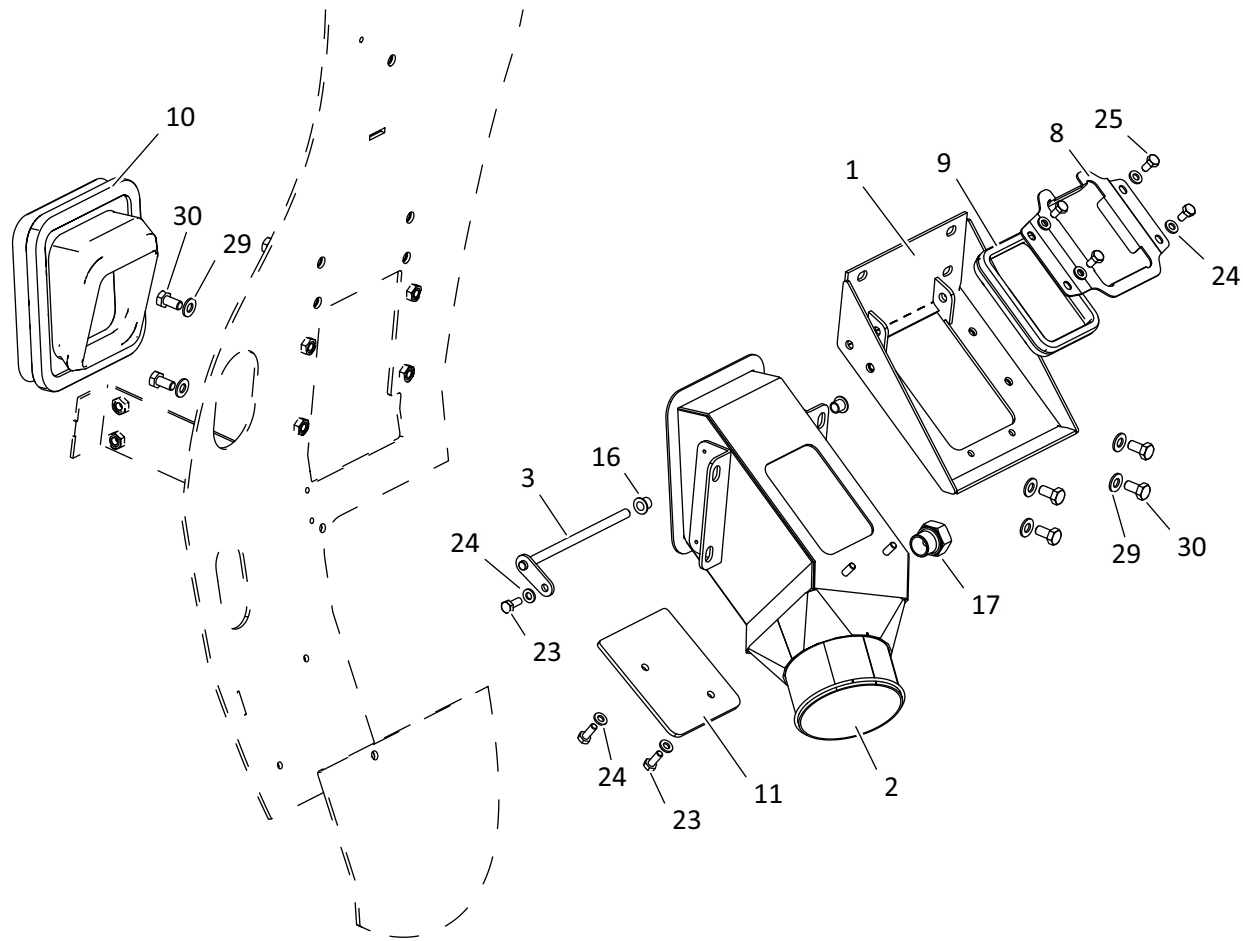
REF.NO.	PART NO	DESCRIPTON	QTY
31	553442467-00	SPACER - LH DUCT - ARM ASSY	2
32	553441337-00	NYLON WASHER	2
33	558441273-00	HOSE GUIDE WMT	1
34	558441296-00	HYD CLAMP WMT - ARM ASSY	1
35	553442842-00	PLATE RH - HOSE GUIDE	1
36	552850801-00	HEX NUT - STEEL GR. 8 - M6	4
37	552850201-00	WASHER - EN8 - 6.4x12.5x1.6	17
38	552850203-00	WASHER - EN8 - 8.4x17x1.6	12
39	552850903-00	SOC BUTTON HD CAP SCREW-ST 8.8 - M6 X 20	2
40	552330007-00	COTTER PIN STEEL - 3.2 X 35	1
41	552670107-00	CIRCLIP - A25	2
42	552350017-00	WASHER - STEEL - 8.4X24X2	1
43	552670142-00	CIRCLIP - B68	4
44	552670141-00	CIRCLIP - B62	4
45	552850004-00	HEX HEAD SCREW STEEL - 8.8 - M6 X 16	5
46	552850008-00	HEX HEAD SCREW STEEL - 8.8 - M8 X 16	2
47	552850905-00	SOC BUTTON HD CAP SCREW-ST 8.8 - M8 X 10	2
48	552850009-00	HEX HEAD SCREW STEEL - 8.8 - M8 X 20	2
49	552850010-00	HEX HEAD SCREW STEEL - 8.8 - M8 X 25	4
50	552850003-00	HEX HEAD SCREW STEEL - 8.8 - M6 X 12	2
51	552850050-00	HEX HEAD SCREW STEEL - 8.8 - M5 X 16	4
52	552850603-00	HEX SOC HD CAP SCREW -STEEL 8.8 - M6 X 25	2
53	552850606-00	HEX SOC HD CAP SCREW -STEEL 8.8 - M8 X 30	6
54	552850906-00	SOC BUTTON HD CAP SCREW-ST 8.8 - M8 X 16	2
55	558441297-00	EL VALVE ACTUATOR WMT	1
56	553442844-00	VALVE ACTUATOR IMPACT PLT	1
57	552350008-00	WASHER-STEEL - 5.3X10X1	4
58	552850502-00	HEX SOC CSK HD SCREW - M6x16	2
59	552850609-00	HEX SOC HD CAP SCREW - ST 8.8 - M6 X 45	2

VACUUM BY-PASS ASSEMBLY

VACUUM BY-PASS ASSEMBLY



VACUUM BY-PASS ASSEMBLY

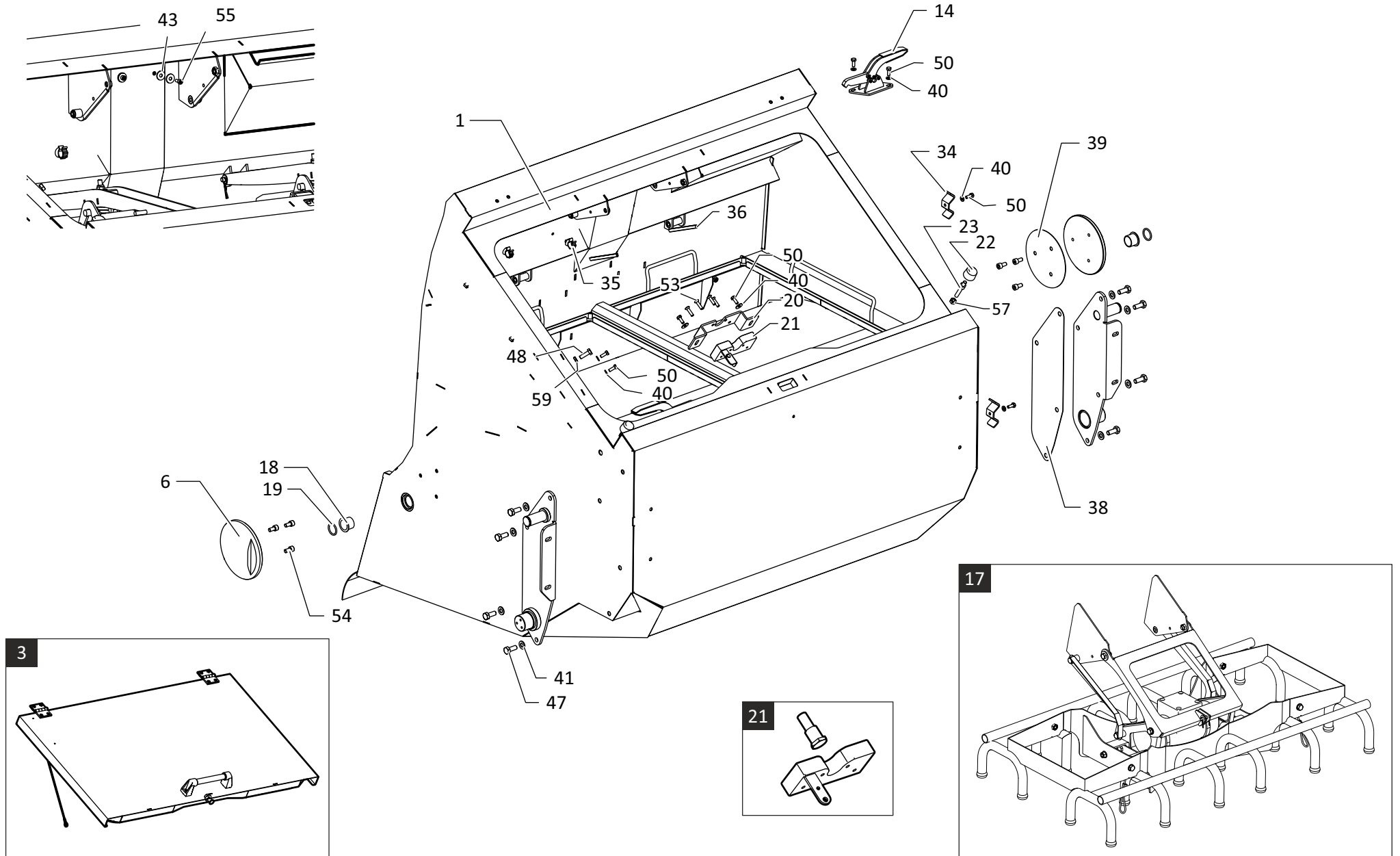


VACUUM BY-PASS ASSEMBLY

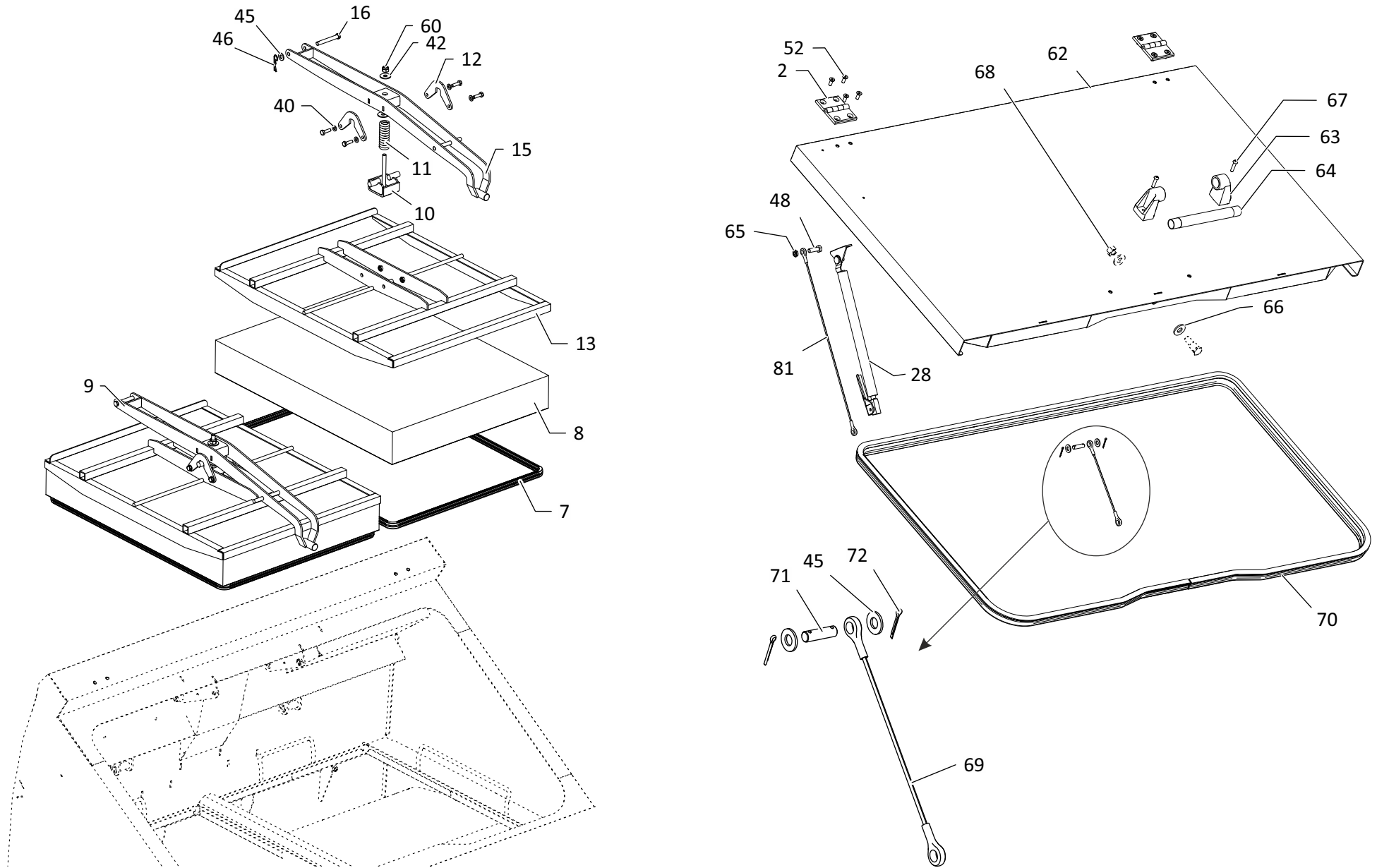
REF.NO.	PART NO	DESCRIPTON	QTY
1	558441485-00	CRANK MTG BASE PLATE WMT-VACU BYPASS-E4	1
2	558441481-00	DUCT WMT - VACUUM BYPASS - E4	1
3	558441486-00	CRANK ROD WMT - VACUUM BYPASS - E4	1
4	558441292-00	DOOR CRANK WMT - VACCUM BYPASS	1
5	558441293-00	ACTUATOR TOP PIVOT WMT	1
6	558441294-00	ACTUATOR TOP MTG BKT	1
7	553442764-00	SPRING ACTUATOR - VACUUM BYPASS	1
8	553440483-00	PLATE GASKET - VB	1
9	553441225-00	BEADING - VACCUM BY PASS	1
10	553441311-00	GASKET - VACCUMBY PASS	1
11	553442760-00	PLATE SHUTTER - VACUUM BYPASS	1
12	553442761-00	PIN -ACTUATOR ROD END	1
13	553442762-00	PIN -ACTUATOR BASE END	1
14	553442763-00	STUD - VACUUM BYPASS	1
15	553442765-00	SPACER - ACTUATOR ASSY	1
16	552610067-00	IGUS BEARING - IGLIDUR GFM 810-10	2
17	552500049-00	DUMMY - 1/4	1
18	553440281-00	OIL TANK - FOOT BRAKE	1
19	553442431-00	HOSE - BRAKE LINE CYL END	1
20	552870051-00	HOSE CLAMP 8 MM STEEL KLIP -WEL/PHONEIX	2
21	558441305-00	VALVE ASSY - SEQ & PR	1
22	553442068-00	END LIMITER VALVE 10mm ST	1
23	552850004-00	HEX HEAD SCREW STEEL - 8.8 M6 X 16	3
24	552850201-00	WASHER - EN8 - 6.4x12.5x1.6	7
25	552850003-00	HEX HEAD SCREW STEEL - 8.8 M6 X 12	4
26	552480012-00	HEX NYLOCK NUT STEEL M10	1
27	552250009-00	HEX LOCK NUT - STEEL GR. 08 - M10	2
28	552850803-00	HEX NUT - STEEL GR. 8 - M10	1
29	552850203-00	WASHER - EN8 - 8.4x17x1.6	22
30	552850008-00	HEX HEAD SCREW STEEL - 8.8 M8 X 16	12

REF.NO.	PART NO	DESCRIPTON	QTY
31	552330003-00	COTTER PIN - STEEL - 2X16	2
32	552850009-00	HEX HEAD SCREW STEEL - 8.8 M8 X 20	8
33	552850027-00	HEX HEAD SCREW STEEL - 8.8 M8 X 45	2
34	552850016-00	HEX HEAD SCREW STEEL - 8.8 M10 X 20	1
35	553442291-00	SEQUENCE VALVE BLOCK EATON	1
36	553442421-00	SEQUENCE VALVE	1
37	553442424-00	PRESSURE RELIEF VALVE	1
38	553442858-00	TOP PLATE - SEQUENCE VALVE	1
39	558441306-00	PLATE MTG WMT SEQUENCE VALVE	1
40	558441480-00	VACUUM BY-PASS ASSY - E4	1

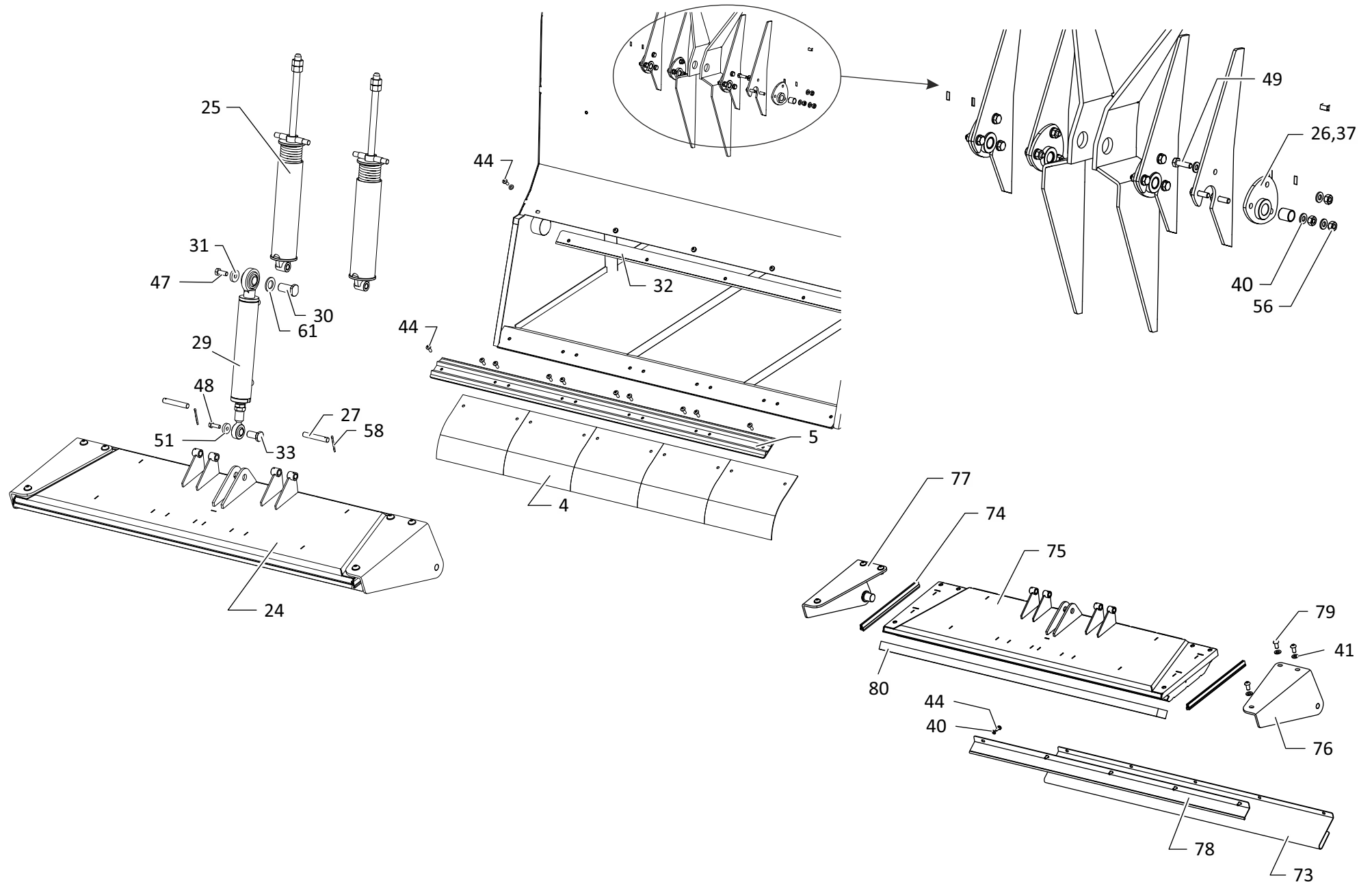
HOPPER ASSEMBLY



HOPPER ASSEMBLY



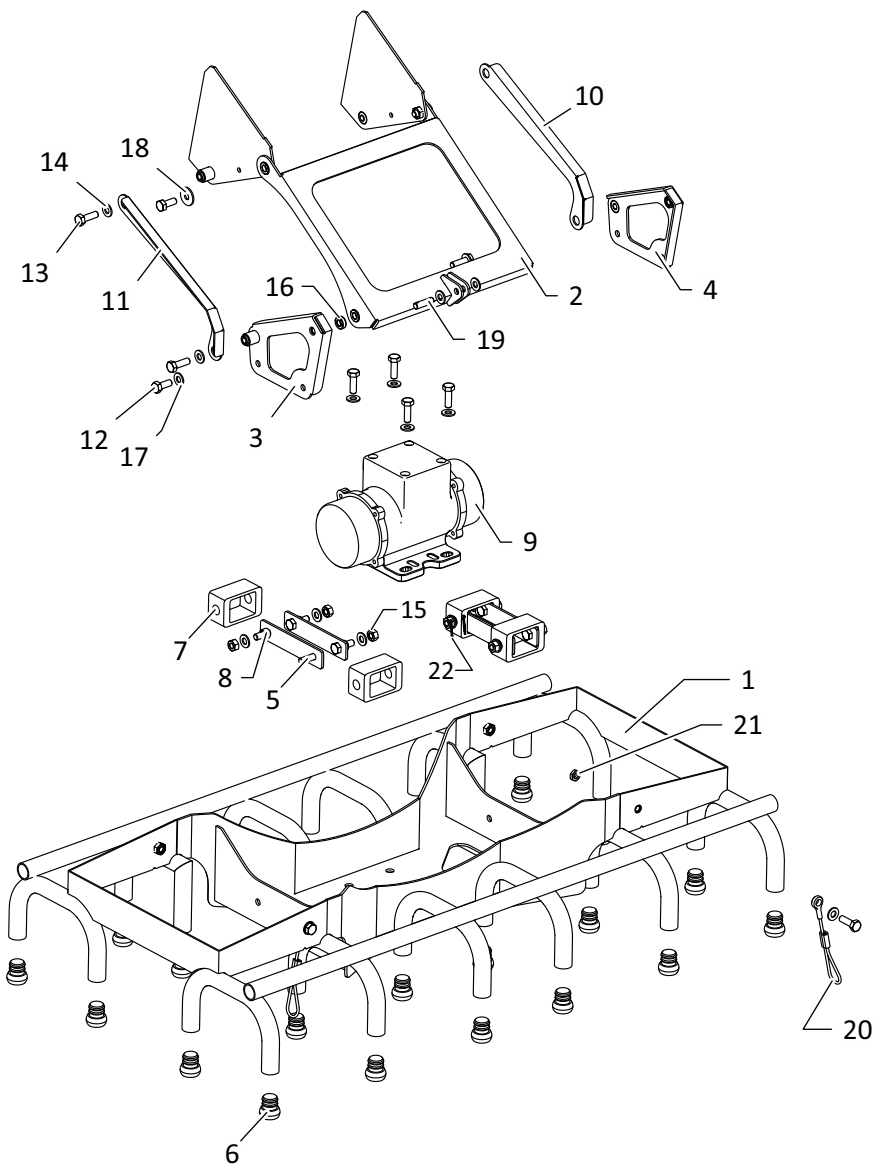
HOPPER ASSEMBLY



HOPPER ASSEMBLY

REF.NO.	PART NO	DESCRIPTON	QTY	REF.NO.	PART NO	DESCRIPTON	QTY
1.a	558441321-00	HOPPER WELDMENT	1	31	553442584-00	WASHER - 10.5 X 30 X 6	1
1.b	558441428-00	HOPPER WELDMENT (LEFT HAND SIDE BRUSH)	1	32	558441350-00	RUBBER GUIDE WMT - REAR DOOR	1
2	553441533-00	HINGE - HOPPER TOP COVER	2	33	553442603-00	PIN DOOR CYL (ROD END)	1
3	558441323-00	TOP DOOR ASSY - HOPPER	1	34	553442520-00	HYD HOSE CLAMP - ARM ASSY	3
4	553442521-00	FLAP - HOPPER REAR DOOR	5	35	553441333-00	ELECTRICAL CABLE CLAMP	4
5	558441327-00	HOLDER WMT - FOAM	1	36	553442869-00	EDGE PROTECTOR - HOPPER	2
6	553440426-00	ALIGNMENT PAD - HOPPER	2	37	552610063-00	IGUS BEARING - IGLIDUR GSM-1214-15	4
7	553440504-00	BEADING-CHANNEL	2	38	553442874-00	SHIM - HOPPER TILT CYL ROD END	1
8	553440502-00	PANEL FILTER	2	39	553440492-00	SHIM - ALIGNMENT PAD	1
9	558441328-00	PLATE TOGGLE RH WMT	1	40	552850201-00	WASHER - EN8 - 6.4x12.5x1.6	52
10	558441329-00	BKT SPRING MTG WMT TOGGLE CLAMP	2	41	552850205-00	WASHER - EN8 - 10.5x20x2	14
11	553442864-00	TOGGLE COMPRESSION SPRING	2	42	552850204-00	WASHER - EN8 - 8.4x24x2	4
12	553442865-00	HOLDER - FILTER CLAMP BKT	4	43	552850202-00	WASHER - EN8 - 6.4x18x1.6	6
13	558441330-00	FILTER TOP FRAME WMT	2	44	552850304-00	CR PAN HEAD SCREW - STEEL - M6 X 16	20
14	558441331-00	TOGGLE CLAMP ASSY - HOPPER	2	45	552350031-00	WASHER STEEL - 8.4X17X1.6	4
15	558441333-00	PLATE TOGGLE LH WMT	1	46	553320110-00	LINCH PIN	2
16	553442543-00	PIN REAR - SPRING ASSY	2	47	552850017-00	HEX HEAD SCREW STEEL - 8.8 - M10 X 25	9
17	558441334-00	SINGLE VIBRATOR ASSY	1	48	552850010-00	HEX HEAD SCREW STEEL - 8.8 - M8 X 25	3
18	552610053-00	IGUS BEARING - IGLIDUR GFM 2528-21	2	49	552850005-00	HEX HEAD SCREW STEEL - 8.8 - M6 X 20	20
19	552430037-00	O' RING - 25 X 3	2	50	552850004-00	HEX HEAD SCREW STEEL - 8.8 - M6 X 16	11
20	553440597-00	MTG BKT - FILTER COVER LOCK	1	51	553442604-00	WASHER STEEL - 8.5 X 26 X 6	1
21	558441340-00	LOCK ASSY - HOPPER DOOR	1	52	552850502-00	HEX SOC CSK HD SCREW - M6x16	8
22	558100086-00	BOOT ASSY BH SUPPORT	2	53	552850503-00	HEX SOC CSK HD SCREW - M6 x 25	4
23	553100284-00	STUD BOOT BH	2	54	552850605-00	HEX SOC HD CAP SCREW -STEEL 8.8 - M8 X 16	6
24	558441351-00	DOOR ASSY BOTTOM - HOPPER	1	55	552230004-00	HEX SOC HEAD CAP SCREW -STEEL - M5X12	2
25	558441346-00	STRUT ASSY - HOPPER	2	56	552850801-00	HEX NUT - STEEL GR. 8 - M6	14
26	558441349-00	SPRING MTG - TOP END WMT	4	57	552850802-00	HEX NUT - STEEL GR. 8 - M8	2
27	553442571-00	PIN - SPRING ASSY	2	58	552330007-00	COTTER PIN STEEL - 3.2X35	2
28	553440755-00	GAS STRUT	1	59	552250004-00	HEX LOCK NUT STEEL - M8	1
29	553443669-00	CYLINDER - HOPPER DOOR LOCK	1	60	552480008-00	HEX NYLOCK NUT STEEL - M8	2
30	553442583-00	PIN DOOR CYL (BASE END)	1				

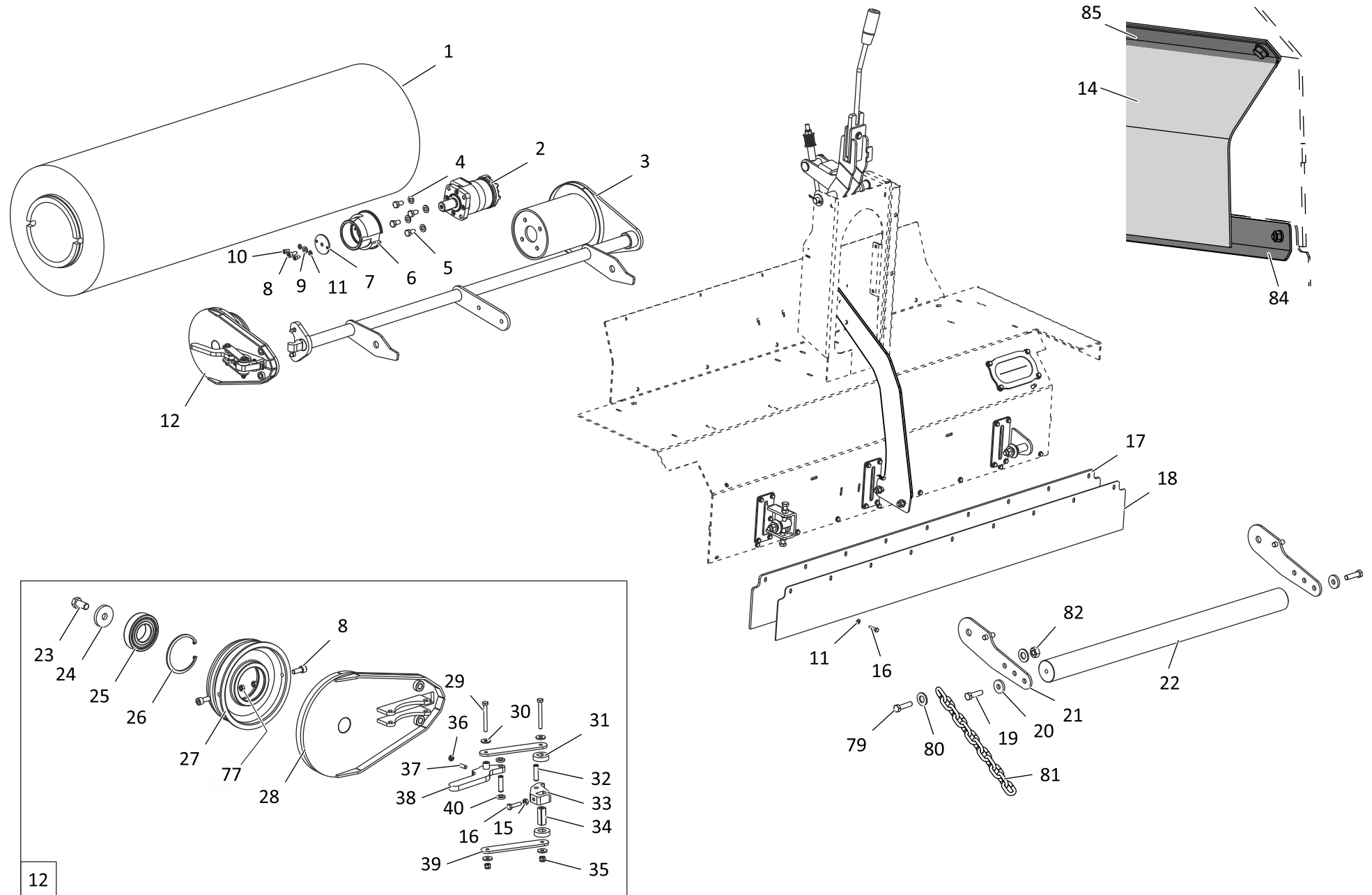
HOPPER ASSEMBLY - VIBRATOR



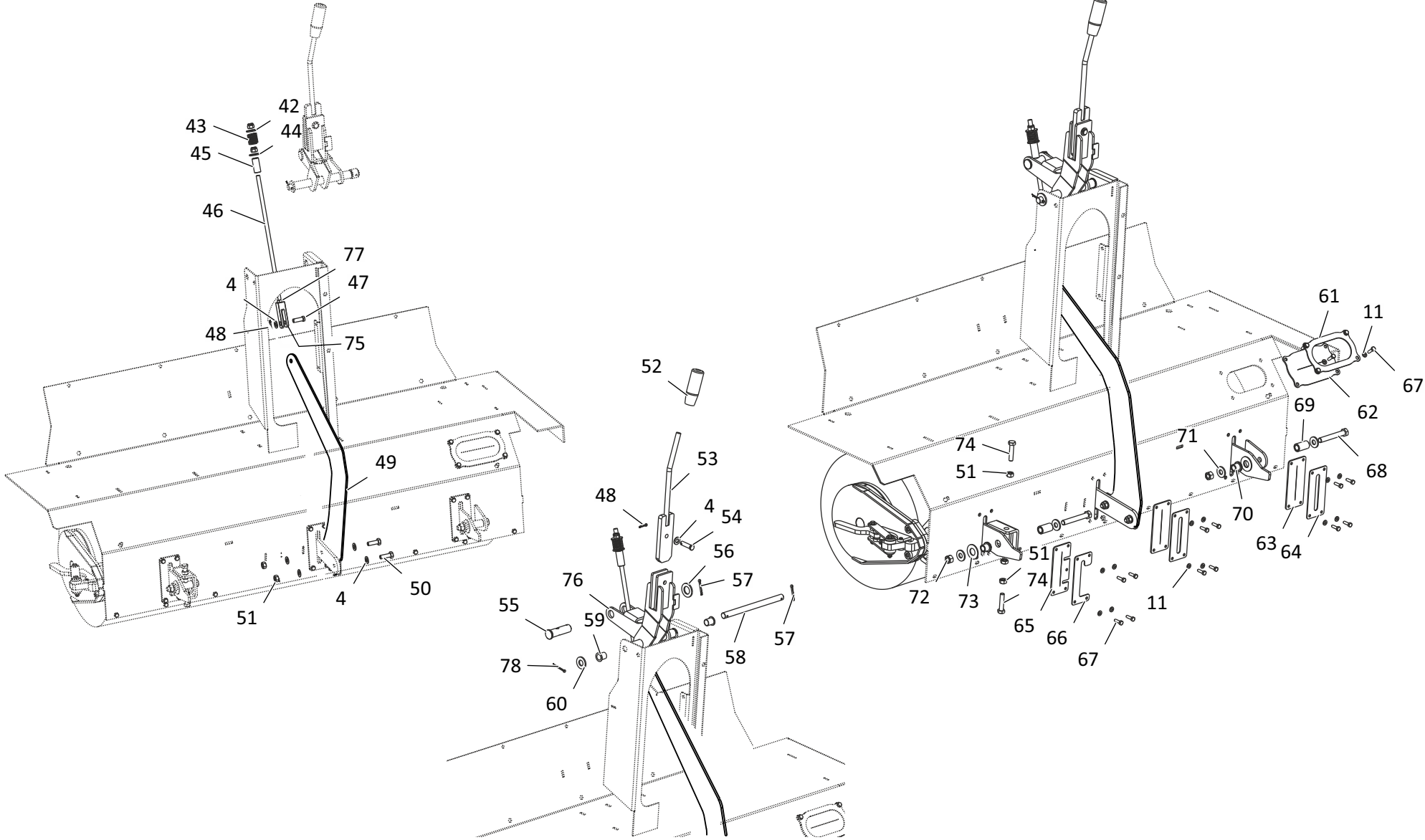
REF.NO.	PART NO	DESCRIPTON	QTY
1	558441335-00	VIBRATOR MTG WMT - HOPPER	1
2	558441337-00	CRANK WMT - VB FRAME ASSSY	1
3	558441338-00	HOLDER VIBRATOR MOUNT RH - WMT	1
4	558441339-00	HOLDER VIBRATOR MOUNT LH - WMT	1
5	558440137-00	PLATE VIBRATOR MOTOR - WMT	4
6	553440433-00	BUSH PLATE - FILTER ASSY	24
7	553440390-00	DAMPER - VIBRATOR MOUNT	4
8	553440443-00	BUSH - VIBRATOR MOUNT	8
9	553461376-00	VIBRATOR MOTOR	1
10	553442568-00	CRANK LH - SINGLE VIBRATOR MOUNT	1
11	553442569-00	CRANK RH - SINGLE VIBRATOR MOUNT	1
12	552850009-00	HEX HD SCREW - STEEL 8.8 - M8X20	4
13	552850010-00	HEX HD SCREW - STEEL 8.8 - M8X25	10
14	552850203-00	WASHER - EN8 - 8.4X17X1.6	16
15	552850802-00	HEX NUT - STEEL GR.8 - M8	8
16	553442194-00	BUSH - STEERING TILT HINGE	4
17	552350031-00	WASHER - STEEL - 8.4X17X1.6	4
18	552350017-00	WASHER - STEEL - 8.4X24X2.0	2
19	553440107-00	PIN - 8 X 28	1
20	558441285-00	ROPE - FILTER FRAME MTG	2
21	552250004-00	HEX LOCK NUT - STEEL M8	2
22	552330003-00	COTTER PIN - STEEL - 2.0x16	2

MAIN BROOM ASSEMBLY

MAIN BROOM ASSEMBLY



MAIN BROOM ASSEMBLY



MAIN BROOM ASSEMBLY

REF. NO.	PART NO	DESCRIPTON	QTY
1	553440398-00	MAIN BROOM	1
2	553440397-00	MOTOR - MAIN BROOM	1
3	558441453-00	MB LIFTING CRANK WMT - E4	1
4	552850205-00	WASHER - EN8 - 10.5x20x2	11
5	552850017-00	HEX HEAD SCREW STEEL - 8.8 M10 X 25	4
6	553440395-00	HUB MAIN BROOM DRIVE	1
7	553440880-00	RETAINER - HUB MB DRIVE	1
8	552850604-00	HEX SOC HD CAP SCREW 8.8 -M8 X 20	3
9	552850203-00	WASHER - EN8 - 8.4x17x1.6	4
10	552850601-00	HEX SOC HD CAP SCREW 8.8 -M6 X 12	2
11	552850201-00	WASHER - EN8 - 6.4x12.5x1.6	36
12	558441463-00	ARM ASSY - MB IDLER - E4	1
13	552850009-00	HEX HEAD SCREW STEEL - 8.8 M8 X 20	3
14	553443033-00	MB DUST RUBBER	1
15	552850801-00	HEX NUT - STEEL GR. 8 - M6	10
16	552850006-00	HEX HEAD SCREW STEEL - 8.8 M6 X 25	10
17	553440108-00	MB RUBBER REAR - PINK	1
18	553442846-00	MB REAR RUBBER - BLACK	1
19	552850038-00	HEX HEAD SCREW STEEL - 8.8 M12 X 45	2
20	553442726-00	WASHER - PIVOT ARM CW END	2
21	558441240-00	CW PIVOT WMT - MB	2
22	553442725-00	ROUND BAR - MB CW	1
23	552850026-00	HEX HEAD SCREW STEEL - 8.8 M12 X 25	1
24	553440881-00	SPACER STEEL - 12 X 42 X 6	1
25	552610057-00	DG BALL BEARING 6207 - 2RS	1
26	552670143-00	CIRCLIP - B72	1
27	553440405-00	HUB - IDLER ARM DRIVE	1
28	558441464-00	IDLER WMT - MB IDLER ARM ASSY - E4	1
29	552850054-00	HEX HEAD SCREW STEEL 8.8 - M6 X 55	2
30	552350013-00	WASHER-STEEL-6.4 X 18 X 2.0	4

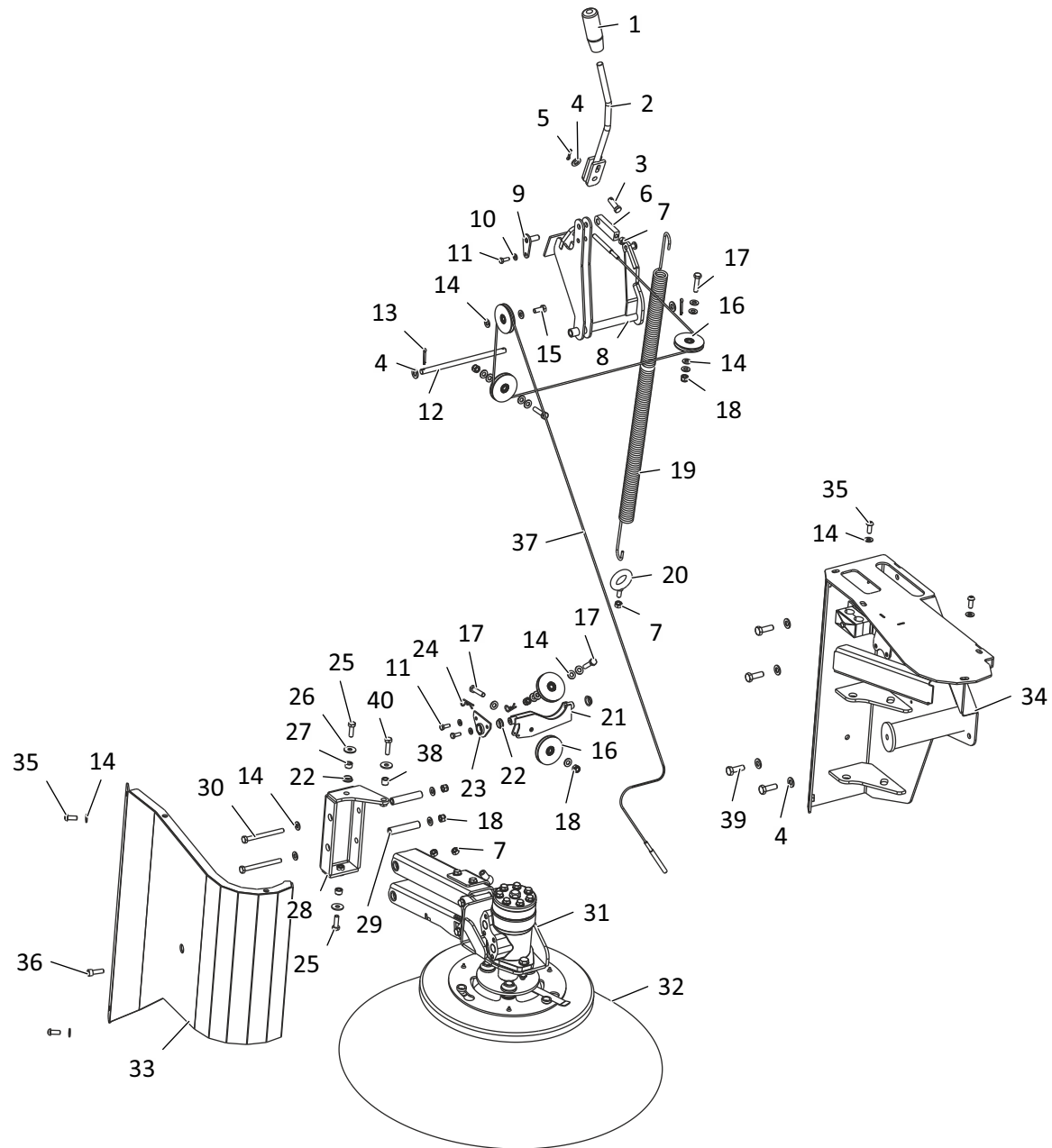
REF. NO.	PART NO	DESCRIPTON	QTY
31	553442672-00	SPACER - MB TOGG CLAMP	2
32	553442674-00	DOWEL PIN - 8 X 30	2
33	553442667-00	TOG CLAMP LOCKER MB IDLER ARM ASSY	1
34	553442671-00	SQUARE BUSH - MB TOG CLAMP	1
35	552480011-00	HEX NYLOCK NUT STEEL M6	2
36	552250003-00	HEX LOCK NUT - STEEL GR. 08 - M6	1
37	552700012-00	HEX SOC HD GRUB SCREW STEEL - M6x10	1
38	558441472-00	MB TOGGLE HANDLE WMT - E4	1
39	553442669-00	CONNECTOR TOGG - MB IDL ARM ASSY	2
40	553442673-00	SPACER - HANDLE END MB TOGG CLAMP	2
41	553442649-00	SHIM 6.5 X 12.0 X 0.5	1
42	552480012-00	HEX NYLOCK NUT STEEL M10	2
43	553442727-00	COMP SPRING - MB LEVER HOLDER	1
44	552850206-00	WASHER - EN8 - 10.5x30x2	2
45	553440891-00	BUSH - MB LIFTING ADJUSTMENT	1
46	553442680-00	MB CONNECTING ROD	1
47	553440890-00	CLEVIS PIN - MB LIFTING	1
48	552330004-00	COTTER PIN - STEEL - 3.2X16	2
49	553443168-00	MB LIFTING ARM	1
50	552850018-00	HEX HEAD SCREW STEEL - 8.8 M10 X 30	2
51	552850803-00	HEX NUT - STEEL GR. 8 - M10	4
52	553440905-00	HANDLE - BRUSH LIFTING LEVER	1
53	558441239-00	LIFTING ROD WMT - MB	1
54	553442334-00	PIVOT PIN - MB LEVER	1
55	553442333-00	HINGE PIN - MB CONENCTING ROD	1
56	553440288-00	SPECIAL WASHER - 21 X 37 X 3	1
57	552330009-00	COTTER PIN STEEL 4X40	2
58	553442679-00	PIVOT PIN MB LEVER CRANK ASSY	1
59	552610073-00	IGUS BEARING - IGLIDUR - GFM 1517-20	2
60	553442678-00	WASHER - MB LEVER CRANK ASSY	1

MAIN BROOM ASSEMBLY

REF. NO.	PART NO	DESCRIPTON	QTY
61	553441180-00	RUBBER SEAL - MOTOR INLET HOSE MB	1
62	553440026-00	SHEET HOSE GUIDE - MB	1
63	553440024-00	RUBBER RH - MB GROUP	2
64	553440721-00	PLATE RH - MB GROUP	2
65	553440019-00	RUBBER LH - MB GROUP	1
66	553440017-00	PLATE LH - MB GROUP	1
67	552850005-00	HEX HEAD SCREW STEEL - 8.8 M6 X 20	16
68	552850053-00	HEX HEAD SCREW STEEL 8.8 - M12 X 85	2
69	553440904-00	SPACER - LINK ARM MB	2
70	553442675-00	BUSH - HINGE - MB LIFTING ARM	2
71	552850207-00	WASHER - EN8 - 12.5x28x3	4
72	552850804-00	HEX NUT - STEEL GR. 8 - M12	2
73	553442722-00	SPACER - MB CW ARM	2
74	552850019-00	HEX HEAD SCREW STEEL - 8.8 M10 X 45	2
75	553440889-00	END FORK - MB LIFTING	1
76	558441238-00	MB LEVER CRANK WMT	1
77	552850802-00	HEX NUT - STEEL GR. 8 - M8	3
78	552330007-00	COTTER PIN STEEL 3.2X35	1
79	552850038-00	HEX HEAD SCREW STEEL - 8.8 M12 X 45	1
80	552350022-00	WASHER-STEEL-13X28X3	2
81	553442907-00	CHAIN - ELECTRICAL DISCHARGE	1
82	552480014-00	HEX NYLOCK NUT STEEL M12	1
83	553442650-00	SHIM 8.5 X 16.0 X 0.5	4
84	553443093-00	HOLDING PLATE - MB BTM RUBBER	1
85	553443092-00	HOLDING PLATE - MB DUST RUBBER	1

SIDE BROOM ASSEMBLY - LEFT & RIGHT

SIDE BROOM ASSEMBLY - RIGHT HAND SIDE

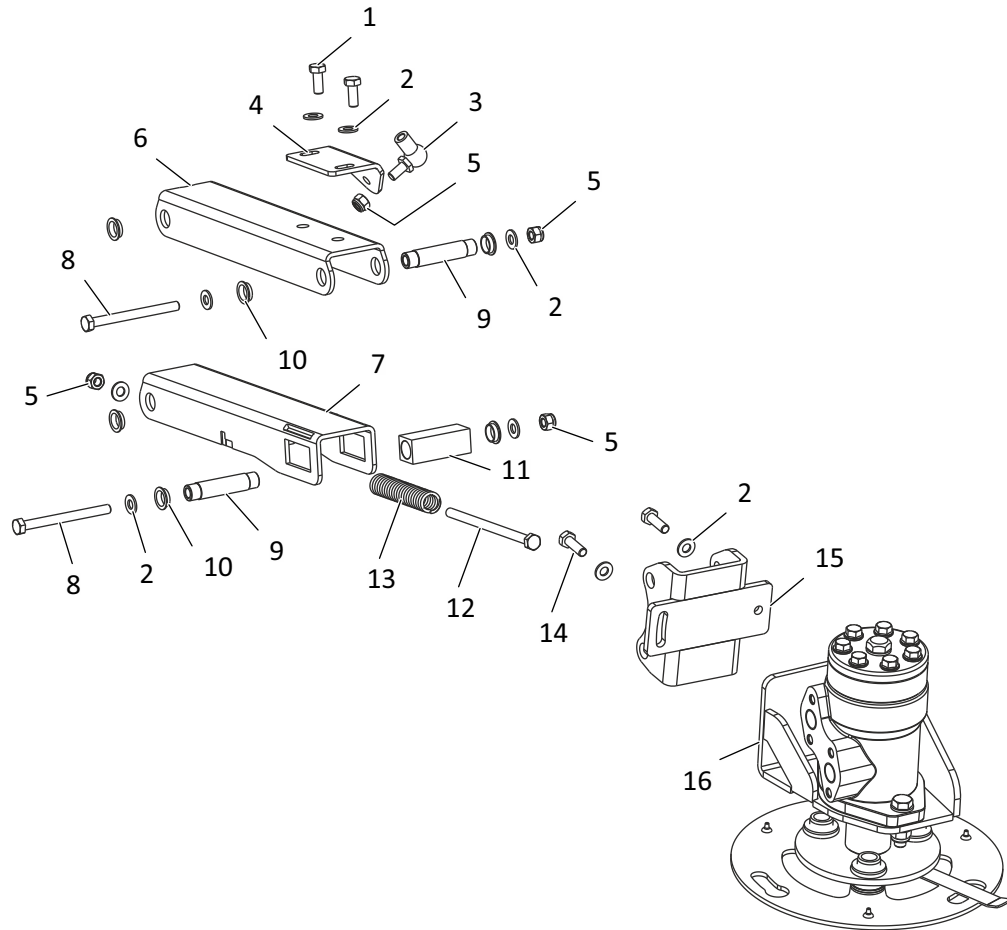


SIDE BROOM ASSEMBLY - RIGHT HAND SIDE

REF. NO.	PART NO	DESCRIPTON	QTY
1	553440905-00	HANDLE - BRUSH LIFTING LEVER	1
2	558441243-00	LIFTING LEVER WMT - SB	1
3	553440890-00	CLEVIS PIN - MB LIFTING	1
4	552850205-00	WASHER - EN8 - 10.5x20x2	7
5	552330004-00	COTTER PIN - STEEL - 3.2X16	1
6	553440626-00	END FORK - SB LIFTING	1
7	552850802-00	HEX NUT - STEEL GR. 8 - M8	4
8	558440562-00	LIFTING HINGE WMT - SB	1
9	558440098-00	CABLE LOCK PIN WMT	1
10	552850201-00	WASHER - EN8 - 6.4x12.5x1.6	3
11	552850004-00	HEX HEAD SCREW STEEL - 8.8 M6 X 16	3
12	553440898-00	PIN LONG - LIFTING HINGE	1
13	552330006-00	COTTER PIN - STEEL - 4 X 20	2
14	552850203-00	WASHER - EN8 - 8.4x17x1.6	26
15	552850009-00	HEX HEAD SCREW STEEL - 8.8 M8 X 20	1
16	558440112-00	ROLLER ASSY - SB CABLE	5
17	552850028-00	HEX HEAD SCREW STEEL - 8.8 M8 X 35	4
18	552480008-00	HEX NYLOCK NUT STEEL -M8	6
19	553441229-00	TENSION SPRING - SB	1
20	553440384-00	EYE BOLT - SB SPRING M8 X 1.25	1
21	558440081-00	ROLLER BKT WMT - SB	1
22	552610065-00	IGUS BEARING - IGLIDUR GFM 1416-06	4
23	558440082-00	ROLLER BKT LOCK WMT	1
24	553320110-00	LINCH PIN	2
25	552850010-00	HEX HEAD SCREW STEEL - 8.8 M8 X 25	2
26	552850204-00	WASHER - EN8 - 8.4x24x2	3
27	553440304-00	BUSH - SB HOUSING WMT	2
28	558441259-00	PIVOT BKT - SB ARM MOUNTING WMT	1
29	553440317-00	SLEEVE - LINKAGE ASSY	2
30	552850033-00	HEX HEAD SCREW STEEL - 8.8 M8 X 90	2

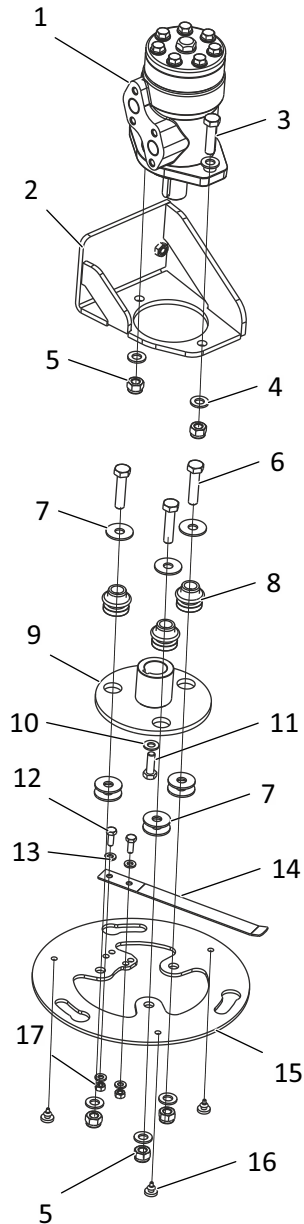
REF. NO.	PART NO	DESCRIPTON	QTY
31	558441251-00	SB LINK ASSY - HYD MOTOR	1
32	553440661-00	SIDE BROOM - RHINO	1
33	558441404-00	SIDE BRUSH LH GUARD WMT	1
34	558441403-00	SB HOUSING WMT - RH	1
35	552850907-00	SOC BUTTON HD CAP SCREW-ST 8.8 - M8 X 20	4
36	552230022-00	HEX SOC HEAD CAP SCREW -STEEL -M8X25	1
37	558441245-00	LIFTING CABLE - SIDE BRUSH ASSY	1
38	553440250-00	STOPPER BUSH SB	1
39	552850018-00	HEX HEAD SCREW STEEL - 8.8 M10 X 30	4
40	552850011-00	HEX HEAD SCREW STEEL - 8.8 M8 X 30	1

SIDE BROOM ASSEMBLY - RIGHT HAND SIDE



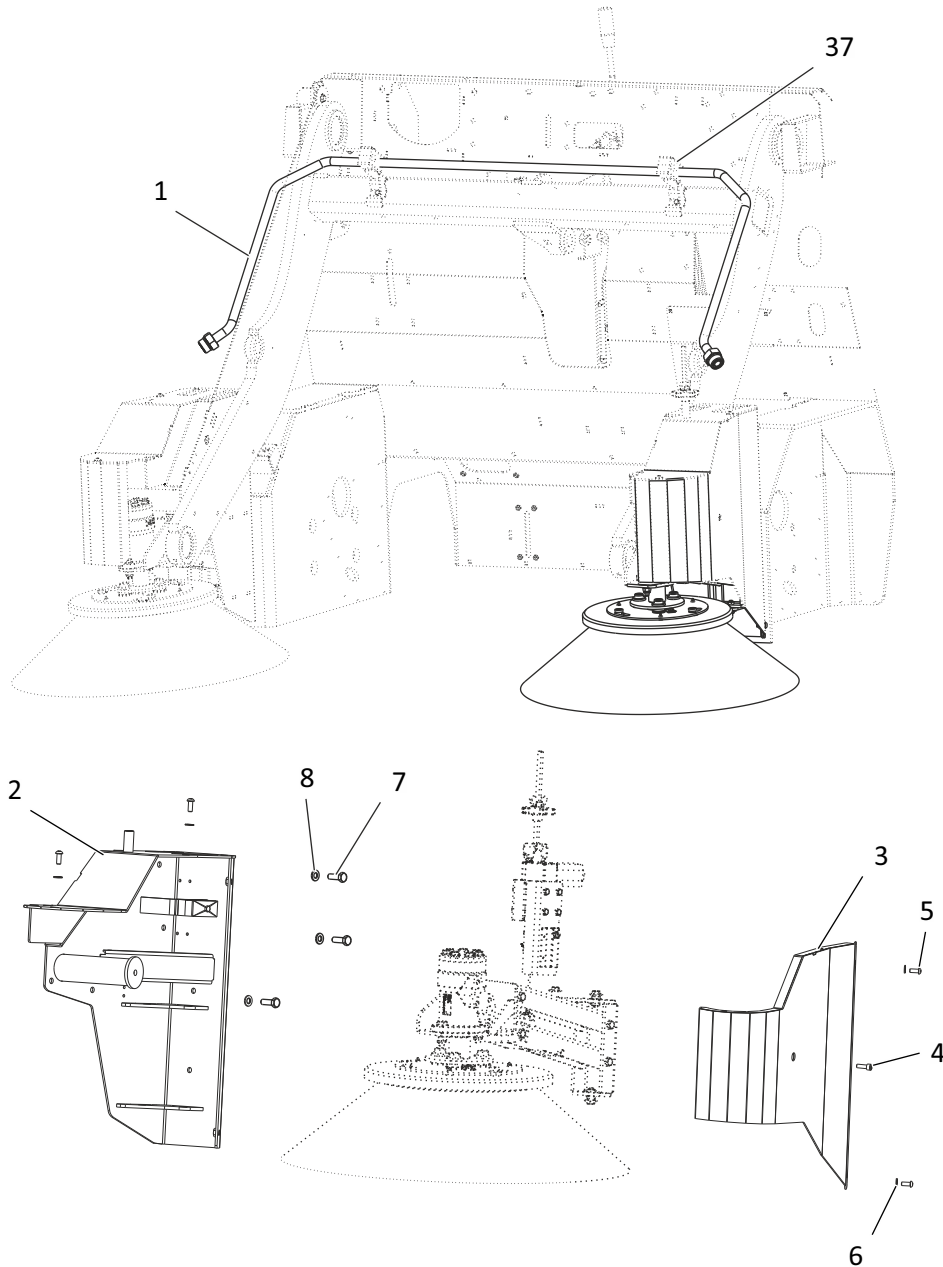
REF. NO.	PART NO	DESCRIPTON	QTY
1	552850009-00	HEX HEAD SCREW STEEL - 8.8 M8 X 20	2
2	552850203-00	WASHER - EN8 - 8.4x17x1.6	9
3	553440332-00	BALL JOINT	1
4	553442694-00	BRACKET - BALL JOINT MOUNT	1
5	552480008-00	HEX NYLOCK NUT STEEL -M8	4
6	558441226-00	TOP LINK WMT - SB ARM ASSY	1
7	558441227-00	BOTTOM LINK WMT - SB ARM ASSY	1
8	552850033-00	HEX HEAD SCREW STEEL - 8.8 M8 X 90	2
9	553440317-00	SLEEVE - LINKAGE ASSY	2
10	552610065-00	IGUS BEARING - IGLIDUR GFM 1416-06	8
11	553440328-00	SLIDING SLEEVE - SB	1
12	552850032-00	HEX HEAD SCREW STEEL - 8.8 M8 X 140	1
13	553440668-00	SPRING SIDE BROOM	1
14	552850010-00	HEX HEAD SCREW STEEL - 8.8 M8 X 25	2
15	558440076-00	BASE WMT - SB	1
16	558441252-00	HYD SIDE BRUSH MOTOR ASSY	1

SIDE BROOM ASSEMBLY - RIGHT HAND SIDE



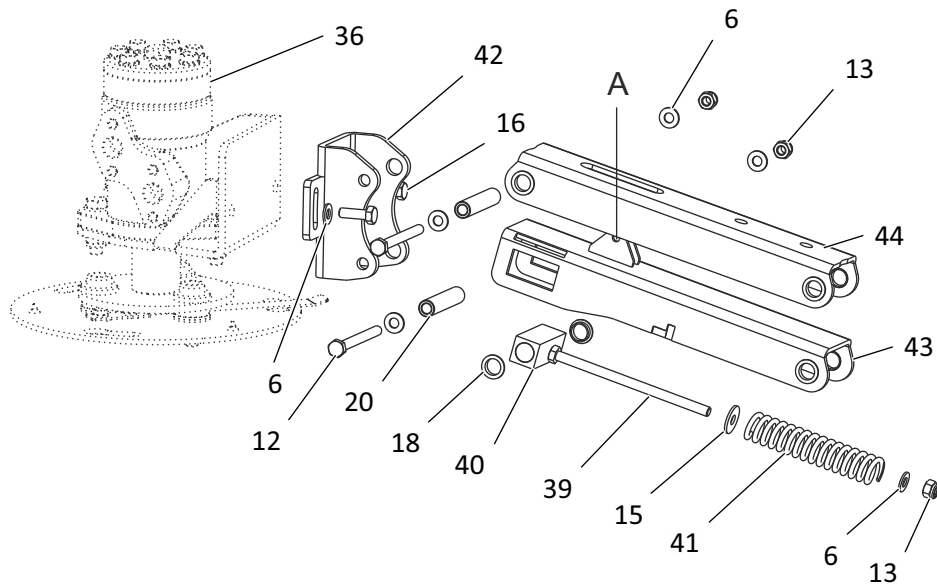
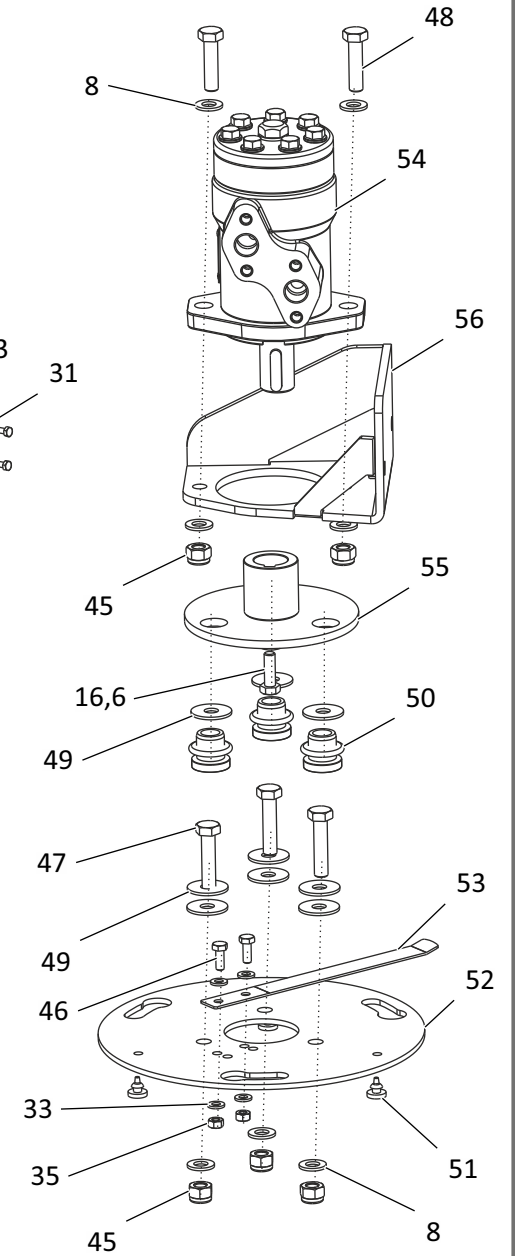
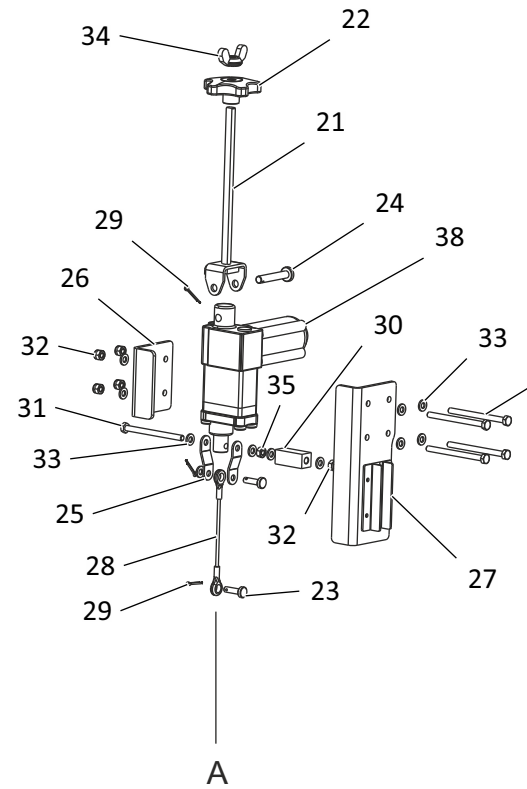
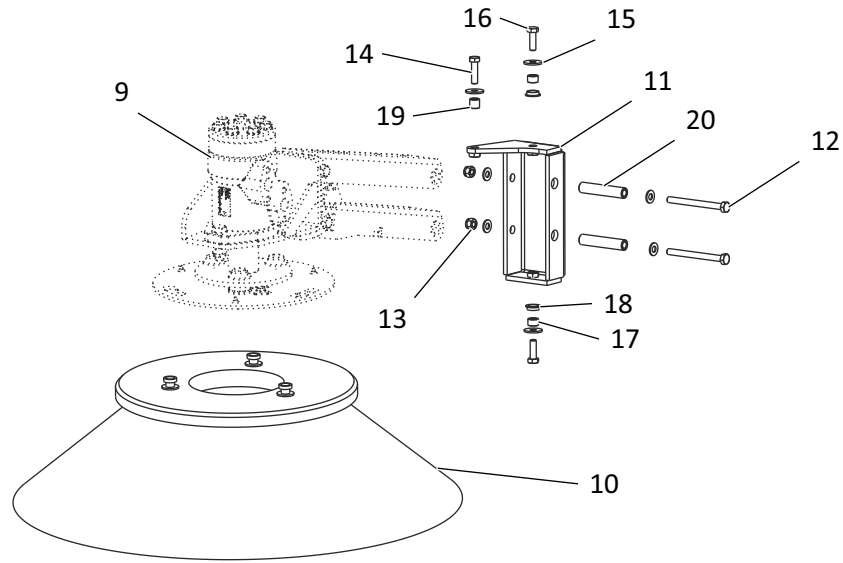
REF. NO.	PART NO	DESCRIPTON	QTY
1	553442422-00	MOTOR - SIDE BRUSH	1
2	558441241-00	BKT WMT - HYD MOTOR HOUSING	1
3	552850052-00	HEX HEAD SCREW STEEL 8.8 - M10 X 40	2
4	552850205-00	WASHER - EN8 - 10.5x20x2	7
5	552480012-00	HEX NYLOCK NUT STEEL M10	5
6	552850019-00	HEX HEAD SCREW STEEL - 8.8 M10 X 45	3
7	552850206-00	WASHER - EN8 - 10.5x30x2	9
8	553440330-00	ISOLATOR - SB	3
9	558441242-00	HUB WMT - SB HYD MOTOR	1
10	552850203-00	WASHER - EN8 - 8.4x17x1.6	1
11	552850010-00	HEX HEAD SCREW STEEL - 8.8 M8 X 25	1
12	552850004-00	HEX HEAD SCREW STEEL - 8.8 M6 X 16	2
13	552850201-00	WASHER - EN8 - 6.4x12.5x1.6	4
14	553440519-00	LOCKING PLATE	1
15	553440471-00	SB HOLDING PLATE	1
16	553440331-00	SB DAMPER - RUBBER	3
17	552850801-00	HEX NUT - STEEL GR. 8 - M6	2

SIDE BROOM ASSEMBLY - LEFT HAND SIDE

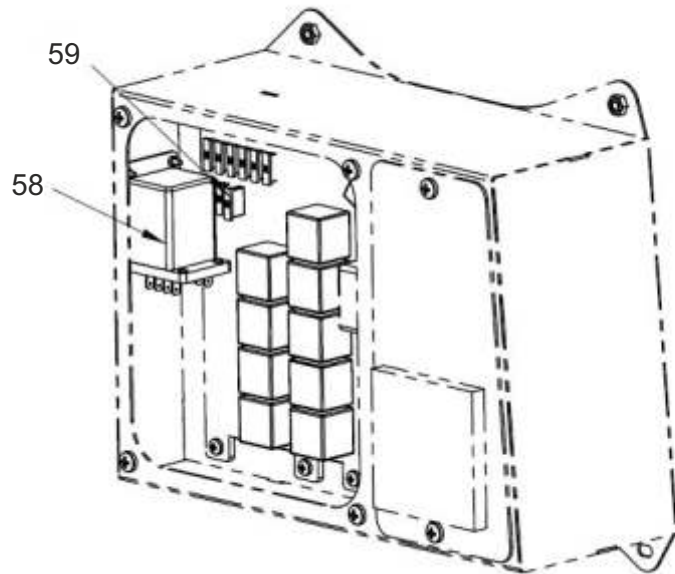
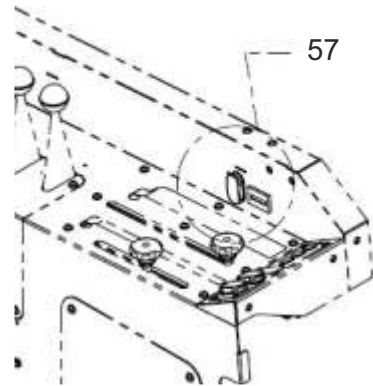


REF. NO.	PART NO	DESCRIPTON	QTY
1	REF HYD. CIRC	13/16"ST - 13/16" ST ORFS 1/2" R2 LENGTH 4080	1
2	558441405-00	SB HOUSING WMT LH	1
3	558441430-00	SIDE BRUSH RH GUARD WMT	1
4	552230022-00	HEX SOC HEAD CAP SCREW -STEEL -M8X25	1
5	552850907-00	SOC BUTTON HD CAP SCREW-ST 8.8 - M8 X 20	4
6	552850203-00	WASHER - EN8 - 8.4x17x1.6	16
7	552850018-00	HEX HEAD SCREW STEEL - 8.8 M10 X 30	3
8	552850205-00	WASHER - EN8 - 10.5x20x2	10
9	558441408-00	SB LINK ASSY LH - HYD MOTOR	1
10	553440661-00	SIDE BROOM - RHINO	1
11	558441406-00	PIVOT BKT SB ARM MOUNTING WMT	1
12	552850033-00	HEX HEAD SCREW STEEL - 8.8 M8 X 90	4
13	552480008-00	HEX NYLOCK NUT STEEL -M8	5
14	552850011-00	HEX HEAD SCREW STEEL - 8.8 M8 X 30	1
15	552850204-00	WASHER - EN8 - 8.4x24x2	4
16	552850010-00	HEX HEAD SCREW STEEL - 8.8 M8 X 25	5
17	553440304-00	BUSH - SB HOUSING WMT	2
18	552610065-00	IGUS BEARING - IGLIDUR GFM 1416-06	10
19	553440250-00	STOPPER BUSH SB	1
20	553440317-00	SLEEVE - LINKAGE ASSY	4
21	558441407-00	SB ACTUATOR PIVTO WMT	1
22	553440893-00	KNOB ASSY M10 - MB LIFTING ADJUSTMENT	1
23	553442761-00	PIN -ACTUATOR ROD END	2
24	553442762-00	PIN -ACTUATOR BASE END	1
25	553443115-00	LINK - LH SB ACTUATOR	2
26	553443125-00	SUPPORT PLT - SB LAC GUIDE	1
27	558441426-00	LAC GUIDE WMT	1
28	558441431-00	STOPPER - SIDE BRUSH ROPE	1
29	552330003-00	COTTER PIN - STEEL - 2X16	3
30	553443127-00	NYLON SQUARE BUSH	1

SIDE BROOM ASSEMBLY - LEFT HAND SIDE



SIDE BROOM ASSEMBLY - LEFT HAND SIDE

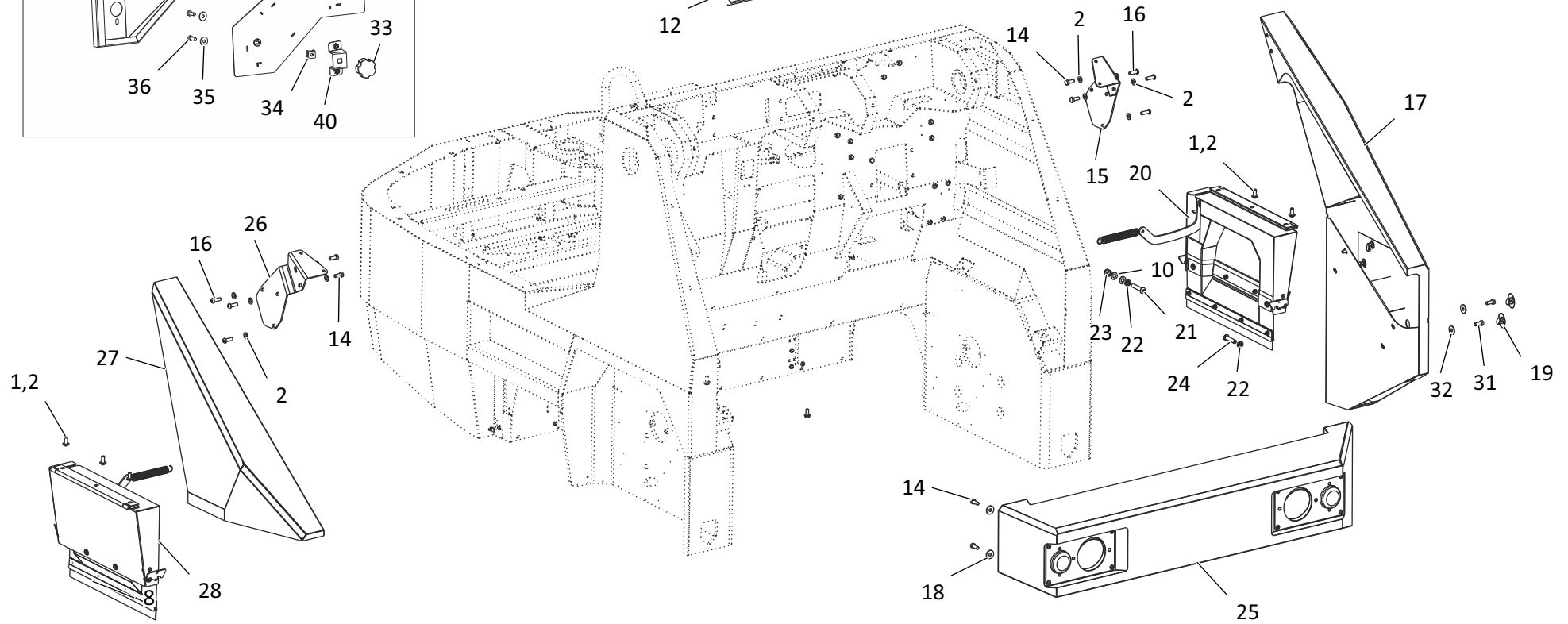
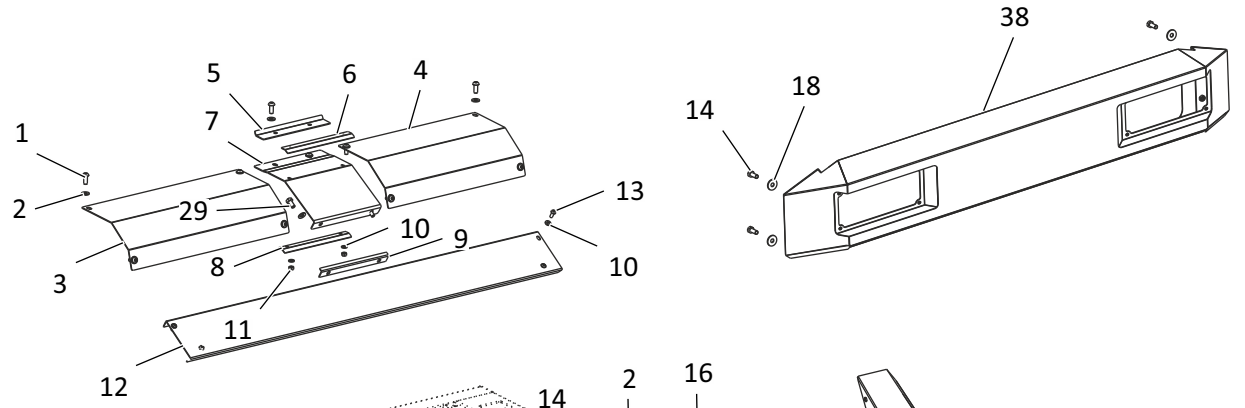
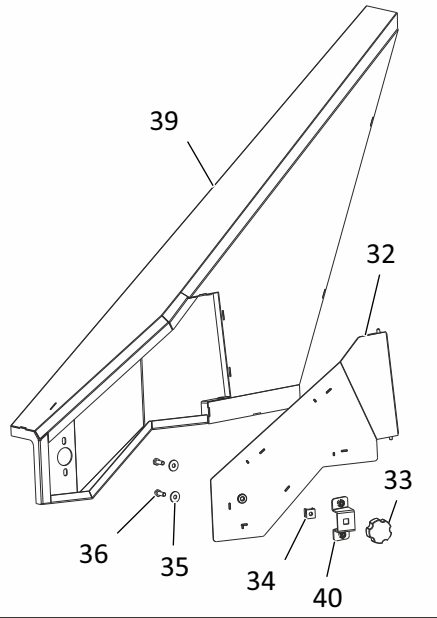


REF. NO.	PART NO	DESCRIPTON	QTY
31	552040020-00	HEX HEAD SCREW - SS 304 - M6X80	5
32	552480011-00	HEX NYLOCK NUT STEEL M6	5
33	552850201-00	WASHER - EN8 - 6.4x12.5x1.6	17
34	553441257-00	WING NUT M10	1
35	552850801-00	HEX NUT - STEEL GR. 8 - M6	3
36	558441411-00	HYD SIDE BRUSH MOTOR ASSY - LH	1
37	558441397-00	HYD CLAMP WMT - ARM ASSY	2
38	558441419-00	SB ACTUATOR CABLE ASSY	1
39	552850032-00	HEX HEAD SCREW STEEL - 8.8 M8 X 140	1
40	553440328-00	SLIDING SLEEVE - SB	1
41	553440668-00	SPRING SIDE BROOM	1
42	558441409-00	BASE WMT LH - SB	1
43	558441410-00	BOTTOM LINK WMT - SB ARM ASSY	1
44	558441226-00	TOP LINK WMT - SB ARM ASSY	1
45	552480012-00	HEX NYLOCK NUT STEEL M10	5
46	552850004-00	HEX HEAD SCREW STEEL - 8.8 M6 X 16	2
47	552850019-00	HEX HEAD SCREW STEEL - 8.8 M10 X 45	3
48	552850052-00	HEX HEAD SCREW STEEL 8.8 - M10 X 40	2
49	552850206-00	WASHER - EN8 - 10.5x30x2	9
50	553440330-00	ISOLATOR - SB	3
51	553440331-00	SB DAMPER - RUBBER	3
52	553440471-00	SB HOLDING PLATE	1
53	553440519-00	LOCKING PLATE	1
54	553442422-00	MOTOR - SIDE BRUSH	1
55	558441242-00	HUB WMT - SB HYD MOTOR	1
56	558441466-00	BKT WMT - HYD MOTOR HOUSING - LH	1
57	553441228-00	SWITCH - HEAD LIGHT	1
58	553441331-00	PLA RELAY	1
59	553320471-00	FUSE-25	1

SKIRT ASSEMBLY

SKIRT ASSEMBLY

37



SKIRT ASSEMBLY

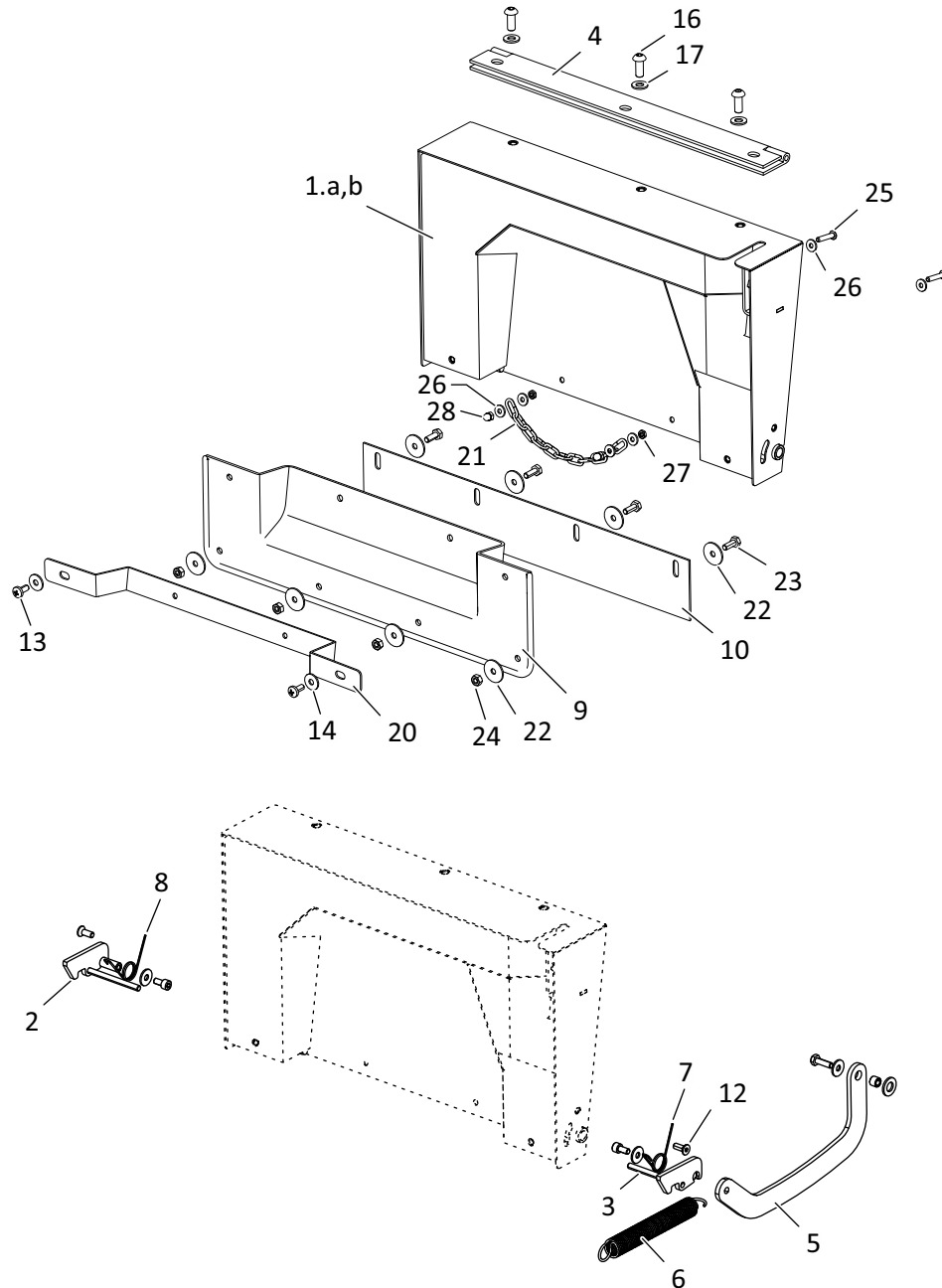
REF. NO.	PART NO	DESCRIPTON	QTY
1	552850907-00	SOC BUTTON HD CAP SCREW-ST 8.8 - M8 X 20	14
2	552850203-00	WASHER - EN8 - 8.4x17x1.6	31
3	553442740-00	RH COSMETIC COVER	1
4	553442739-00	LH COSMETIC COVER	1
5	558441235-00	REAR PLATE - COSMETIC RUBBER MTG	1
6	558441303-00	TOP PLATE WMT - COS FLAP MTG	1
7	553442769-00	FRONT COSMETIC RUBBER	1
8	553442767-00	BOTTOM PLATE - COSMETIC RUBBER MTG	1
9	553441189-00	PLATE - COSMETIC RUBBER	1
10	552850201-00	WASHER - EN8 - 6.4x12.5x1.6	15
11	552850801-00	HEX NUT - STEEL GR. 8 - M6	2
12	558441287-00	FRONT FLAP MTG WMT	1
13	552850902-00	SOC BUTTON HD CAP SCREW-ST 8.8 - M6 X 16	4
14	552850009-00	HEX HEAD SCREW STEEL - 8.8 M8 X 20	17
15	558441298-00	LH BKT - COSMETIC COVER MTG WMT	1
16	552850908-00	SOC BUTTON HD CAP SCREW-ST 8.8 - M8 X 25	6
17	558441393-00	LH SB SIDE COVER WMT	1
18	552850204-00	WASHER - EN8 - 8.4x24x2	8
19	553441334-00	SIDE COVER PLUG	4
20	558441709-00	MB DOOR LH - ASSY - E4	1

REF. NO.	PART NO	DESCRIPTON	QTY
21	552850920-00	SOC BUTTON HD CAP SCREW ST 8.8 - M6X30	2
22	552250003-00	HEX LOCK NUT - STEEL GR. 08 - M6	4
23	552480011-00	HEX NYLOCK NUT STEEL M6	2
24	552850904-00	SOC BUTTON HD CAP SCREW-ST 8.8 - M6 X 25	2
25	558441307-00	FRONT BUMPER ASSY	1
26	558441302-00	RH BKT - COSMETIC COVER MTG WMT	1
27	558441422-00	SIDE COVER RH WMT	1
28	558441710-00	MB DOOR RH - ASSY - E4	1
29	552850008-00	HEX HEAD SCREW STEEL - 8.8 M8 X 16	2
30	552850016-00	HEX HEAD SCREW STEEL - 8.8 M10 X 20	4
31	552850205-00	WASHER - EN8 - 10.5x20x2	4

FOR MACHINES EQUIPPED WITH LEFT HAND SIDE BROOM

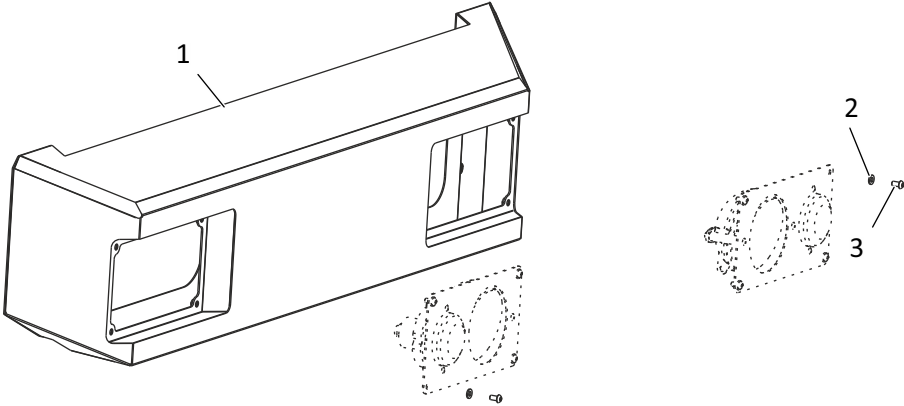
32	558441425-00	SB DOOR WMT	1
33	553443156-00	LH DOOR KNOB HANDLE	1
34	553443157-00	M6 CAGE NUT	1
35	552850202-00	WASHER - EN8 - 6.4x18x1.6	2
36	552850004-00	HEX HEAD SCREW - 8.8 M6 X 16	2
37	558441427-00	LH SIDE COVER ASSY - LH VERSION	1
38	558441421-00	BUMPER WMT - LH SB	1
39	558441423-00	LH SIDE COVER WMT - LH VERSION	1
40	558441424-00	LH SB DOOR LOCK	1

SKIRT ASSEMBLY - MAIN BROOM ACCESS DOORS



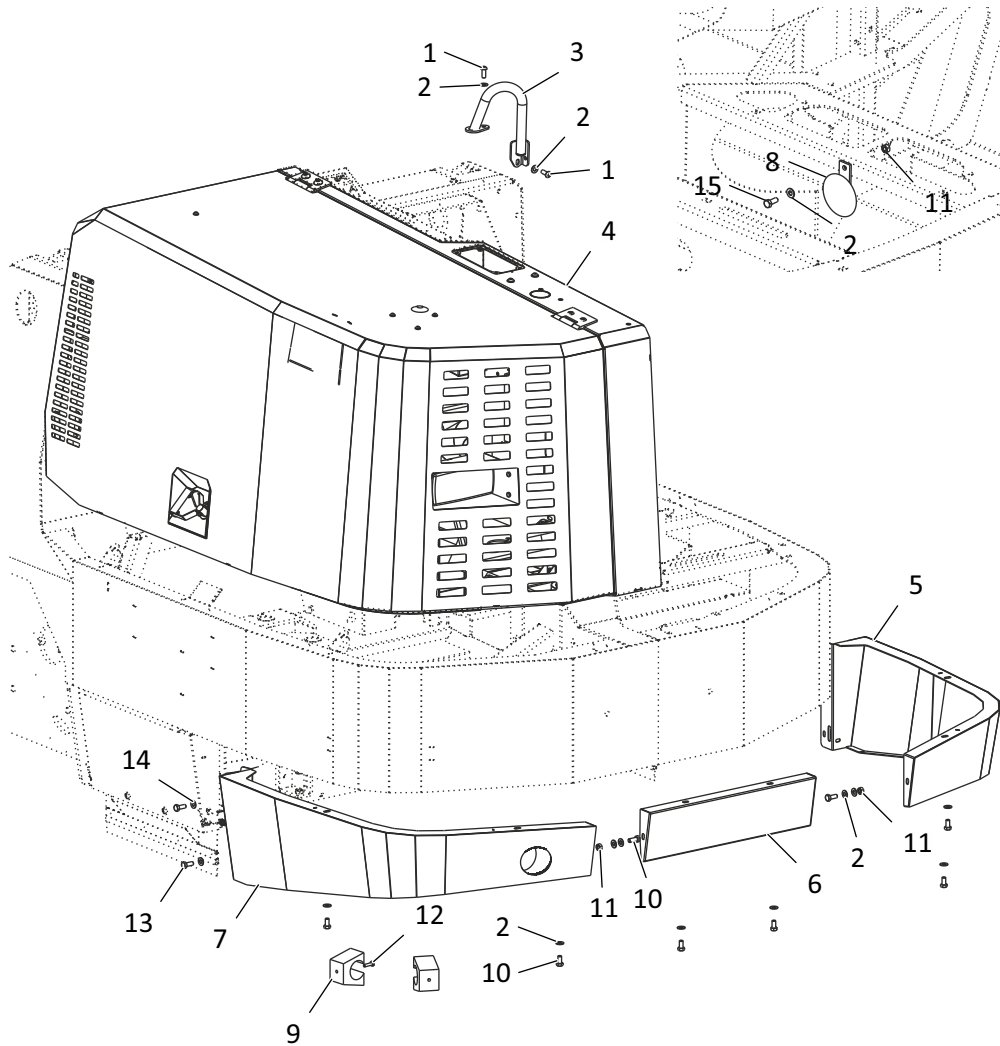
REF. NO.	PART NO	DESCRIPTON	QTY
1.a	558441705-00	LH MB DOOR WMT – E4	1
1.b	558441738-00	RH MB DOOR WMT – E4	1
2	558441730-00	LOCK RH WMT - MB DOOR EXPORT	1
3	558441731-00	LOCK LH WMT - MB DOOR EXPORT	1
4	553440948-00	HINGE MB DOOR	1
5	553440958-00	PLATE HINGE - MB DOOR ASSY	1
6	553440883-00	TOGGLE SPRING - MB DOOR ASSY	1
7	553440959-00	SPRING RH - TORSION - MB DOOR ASSY	1
8	553440995-00	SPRING LH - TORSION - MB DOOR ASSY	1
9	553442955-00	SKIRT(MOULDED) - MB DOOR	1
10	553442703-00	RUBBER BOTTOM - MB DOOR	1
11	553350529-00	SPACER ROPE CT	1
12	552850502-00	HEX SOC CSK HD SCREW - STEEL - M6X16	2
13	552850305-00	CR PAN HD SCREW - STEEL - M6X14	2
14	552850202-00	WASHER - EN8 - 6.4x18x2	5
15	552850601-00	HEX SOC HD CAP SCREW - STEEL - M6X12	2
16	552850907-00	SOC BUTTON HD CAP SCREW - STEEL - M8X20	3
17	552850203-00	WASHER - EN8 - 8.4X17X1.6	3
18	552850205-00	WASHER - EN8 - 10.5x20x2.0	1
19	552850005-00	HEX HD SCREW - STEEL 8.8 - M6X20	1
20	553443502-00	PLATE RUBBER MTG - MB DOOR	1
21	553443510-00	CHAIN - MB DOOR	1
22	552350029-00	WASHER STEEL-6.4X25X1.6	8
23	552850004-00	HEX HD SCREW - STEEL 8.8 - M6X16	4
24	552850801-00	HEX NUT - STEEL GR.8 - M6	4
25	552850923-00	SOC BUTTON HD CAP SCREW - STEEL - M5X25	2
26	552350030-00	WASHER - STEEL- 5.2X13X1.6	6
27	552250002-00	HEX LOCK NUT - M5	2
28	552300001-00	DOMECAP NUT - SS304 - M5	2

SKIRT ASSEMBLY - BUMPER



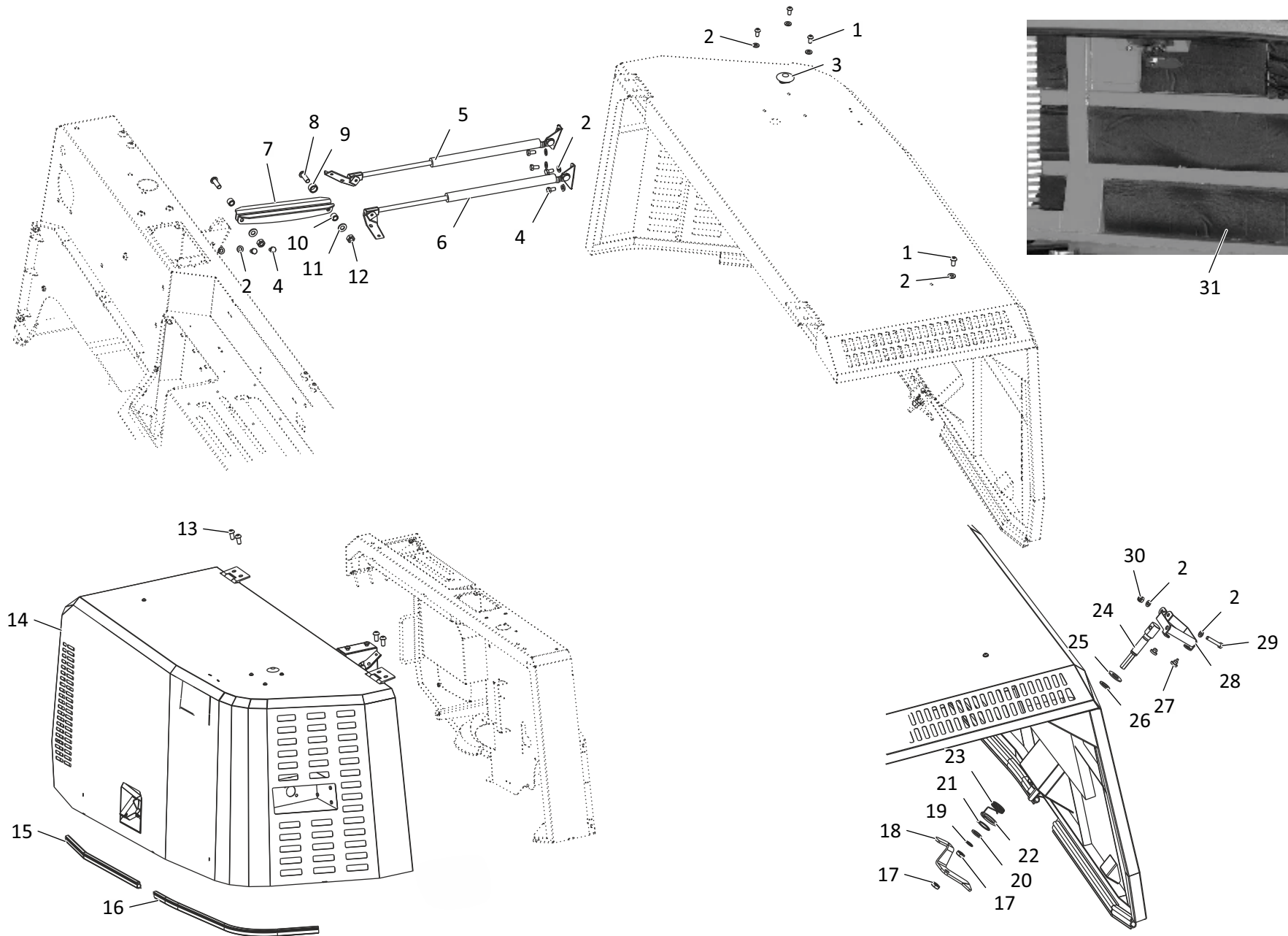
REF. NO.	PART NO	DESCRIPTON	QTY
1	558441277-00	BUMPER FRONT WMT	1
1	558441421-00	BUMPER WMT - LH SB (FOR LH S.B ONLY)	1
2	552850201-00	WASHER - EN8 - 6.4x12.5x1.6	8
3	552850901-00	SOC BUTTON HD CAP SCREW-ST 8.8 - M6 X 12	8

SKIRT ASSEMBLY



REF. NO.	PART NO	DESCRIPTON	QTY
1	552850907-00	SOC BUTTON HD CAP SCREW-ST 8.8 - M8 X 20	4
2	552850203-00	WASHER - EN8 - 8.4x17x1.6	13
3	558441315-00	OP SUPPORT HANDLE WMT	1
4	558441774-00	ENGINE HOOD ASSY - DUO	1
5	558440059-00	SKIRT WMT - RH	1
6	553440593-00	MID PLATE - REAR BUMPER	1
7	558441304-00	LH SKIRT WMT - REAR END	1
8	553440478-00	HORN	1
9	553441259-00	CLAMP - ENGINE DRAIN HOSE	2
10	552850008-00	HEX HEAD SCREW STEEL - 8.8 M8 X 16	8
11	552850802-00	HEX NUT - STEEL GR. 8 - M8	3
12	552850303-00	CR PAN HEAD SCREW - STEEL - M6 X 25	2
13	552850004-00	HEX HEAD SCREW STEEL - 8.8 M6 X 16	4
14	552850202-00	WASHER - EN8 - 6.4x18x1.6	4
15	552850009-00	HEX HEAD SCREW STEEL - 8.8 - M8 X 20	1

SKIRT ASSEMBLY - ENGINE HOOD ASSY

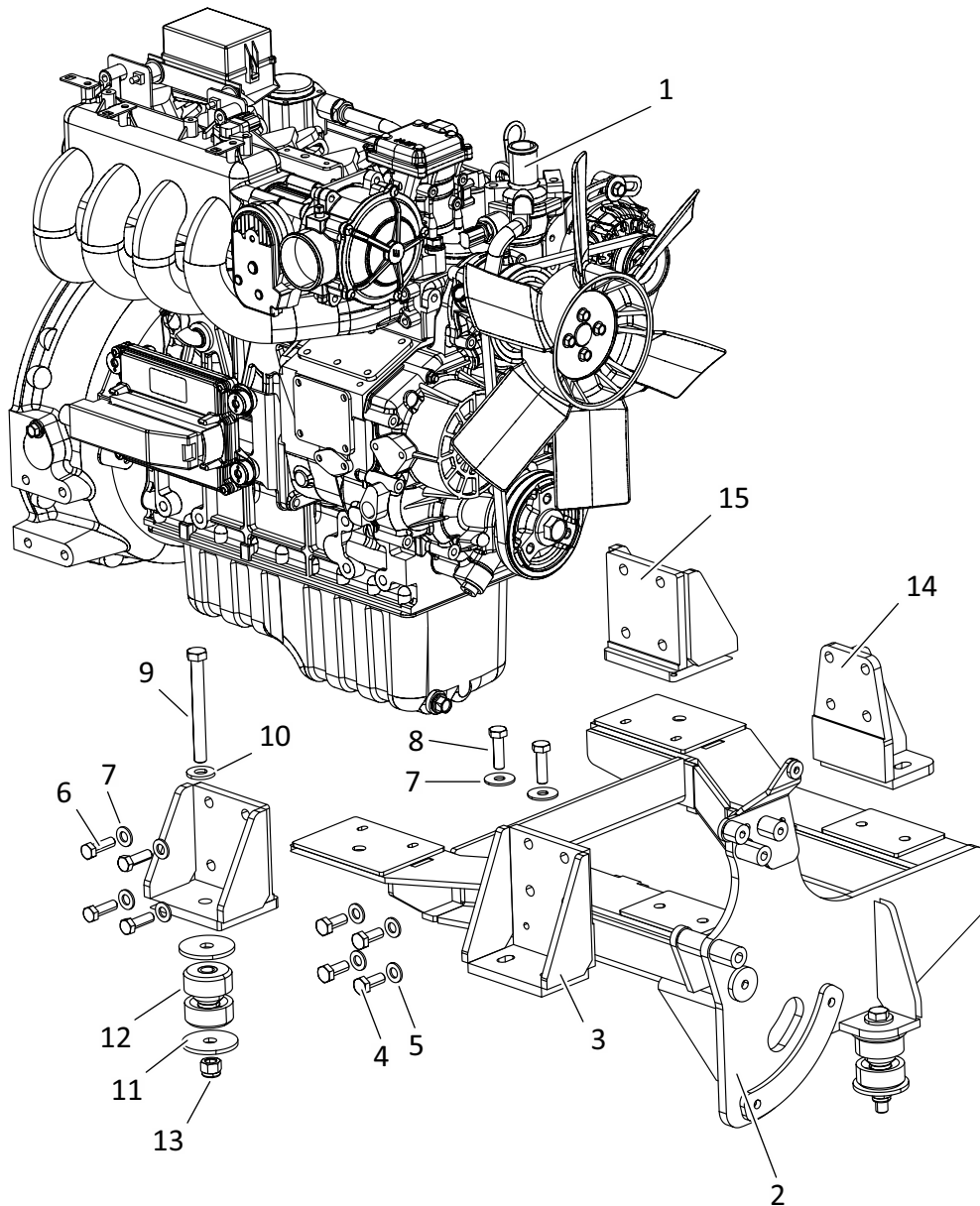


SKIRT ASSEMBLY - ENGINE HOOD ASSY

REF. NO.	PART NO	DESCRIPTON	QTY
1	552850901-00	SOC BUTTON HD CAP SCREW-ST 8.8 - M6 X 12	4
2	552850201-00	WASHER - EN8 - 6.4x12.5x1.6	18
3	553441334-00	SIDE COVER PLUG	1
4	552850003-00	HEX HEAD SCREW STEEL - 8.8 M6 X 12	8
5	553440755-00	TK INNOVA G SPR LH	1
6	553442831-00	TK INNOVA G SPR RH	1
7	553442913-00	GS STOPPER PLATE - EH ASSY	2
8	552850908-00	SOC BUTTON HD CAP SCREW-ST 8.8 - M8 X 25	2
9	553442915-00	SLEEVE - EH STOPPER	1
10	553442914-00	BUSH - EH STOPPER	2
11	552850203-00	WASHER - EN8 - 8.4x17x1.6	4
12	552850802-00	HEX NUT - STEEL GR. 8 - M8	2
13	552850917-00	SOC BUTTON HD CAP SCREW-ST 8.8 -M12 X 25	4
14	558441593-00	ENGINE HOOD - WMT - DUO	1
15	553442851-00	BEADING FRONT - EH	1
16	553442852-00	BEADING REAR - EH	1
17	552250009-00	HEX LOCK NUT - STEEL GR. 08 - M10	2
18	553442798-00	LOCKING PLATE ENGINE HOOD	1
19	552670108-00	CIRCLIP - A14	1
20	553441294-00	SPACER - EH LOCK	1
21	552670107-00	CIRCLIP - A25	1
22	553440484-00	SPACER - EH LOCK	1
23	553441296-00	SPRING TORSION - HOOD LOCK	1
24	553442799-00	STUD - EH LOCK	1
25	552430015-00	O RING - 12X2	1
26	552850207-00	WASHER - EN8 - 12.5x28x3	1
27	553440331-00	SB DAMPER - RUBBER	2
28	558441275-00	HANDLE - EH LOCK	1
29	552850030-00	HEX HEAD SCREW STEEL - 8.8 M6 X 35	1
30	552480011-00	HEX NYLOCK NUT STEEL M6	1

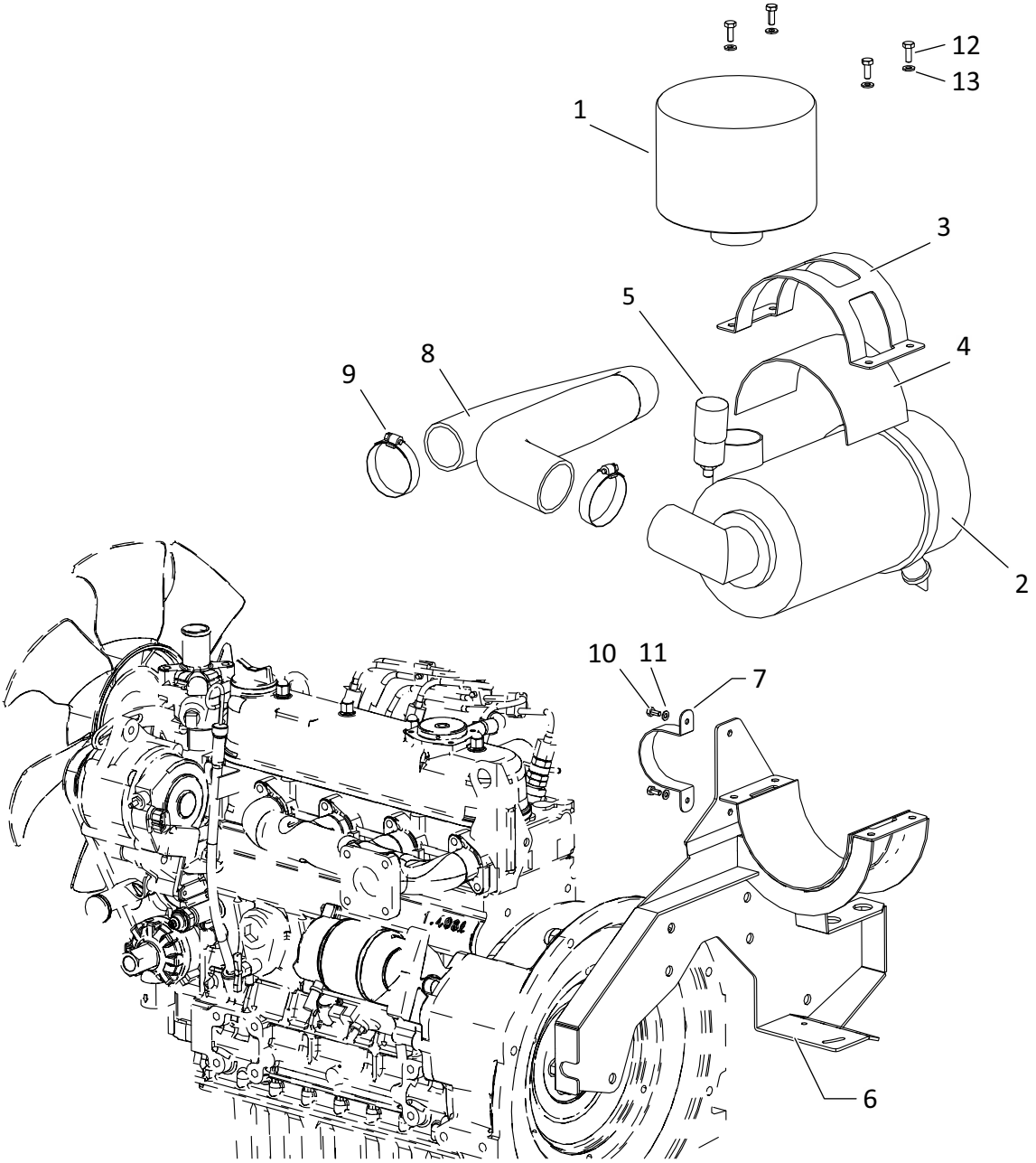
REF. NO.	PART NO	DESCRIPTON	QTY
31	558441781-00	FOAM SET - ENGINE HOOD - DUO	1
32	REF. ACC	TAIL LIGHT ASSY	1
33	553441294-00	SPACER - EH LOCK	2
34	553443190-00	RUBBER FLAP - E4 ENGINE HOOD	1
35	553443192-00	FLAP MTG PLATE - E4 ENGINE HOOD	1

ENGINE ASSEMBLY - ENGINE, BASE FRAME & LEGS



REF. NO.	PART NO	DESCRIPTION	QTY
1	553443909-00	ENGINE - KUBOTA WG1605 - DUO	1
2	558441794-00	ENGINE BASE FRAME - DUO WMT	1
3	558441473-00	ENGINE LEG LH - E4 RADIATOR SIDE	1
4	553442368-00	HEX HEAD SCREW - M10 X 1.25 - 25	8
5	552850205-00	WASHER - EN8 - 10.5x20x2.0	16
6	553441218-00	HEX HEAD SCREW - 3/8 - 16UNC	4
7	552850206-00	WASHER - EN8 - 10.5x30x2.0	4
8	552850029-00	HEX HD SCREW - STEEL 8.8 - M10X35	4
9	552850047-00	HEX HD SCREW - STEEL 8.8 - M12X110	2
10	552850207-00	WASHER - EN8 - 12.5X28X3	3
11	553442366-00	WASHER - REBOUND	6
12	553442071-00	AVM PAD - PH 2	3
13	552480014-00	HEX NYLOCK NUT - STEEL - M12	3
14	558441482-00	ENGINE LEG RH - E4 RADIATOR SIDE	1
15	558441006-00	ENGINE LEG - FLY WHEEL SIDE	2

ENGINE ASSEMBLY - AIR FILTER & FUEL FILTER

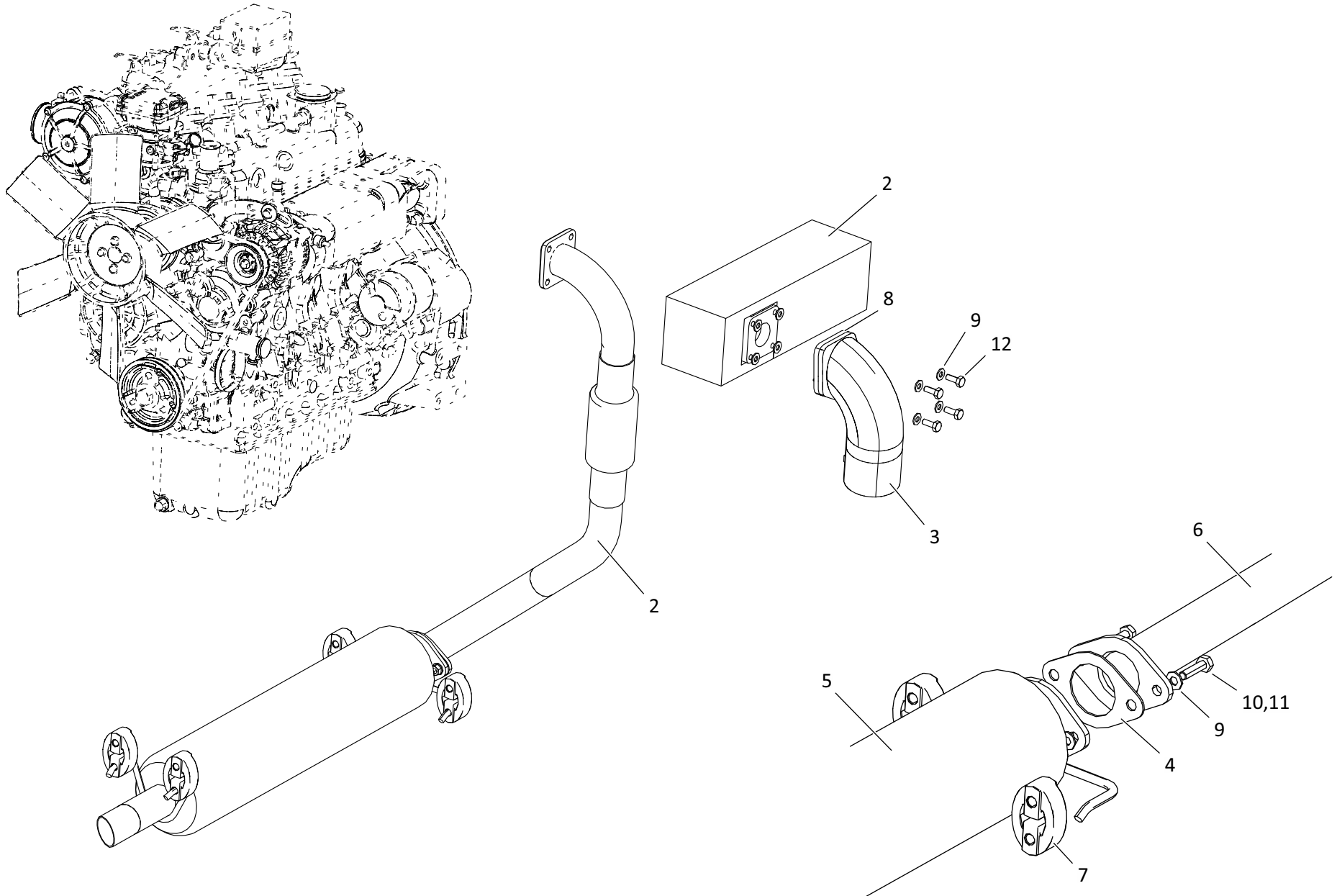


ENGINE ASSEMBLY - AIR FILTER

REF. NO.	PART NO	DESCRIPTION	QTY
1	553442897-00	PRE CLEANER - TOP SPIN	1
2	553442073-00	AIR FILTER - 60-90 CFM	1
3	553442415-00	CLAMP AIR FILTER - TOP	1
4	553442013-00	RUBBER SHEET - AIR FILTER	2
5	553442922-00	AIR CLEANER SERVICE INDICATOR	1
6	558441767-00	AIR FILTER MTG WMT - E4 DUO	1
7	553443809-00	CLAMP - AIR FILTER HOSE (DUO)	1
8	553443349-00	RUBBER HOSE - FILTER TO ENGINE	1
9	552870047-00	HOSE CLAMP 2" SS KLIP-WEL/PHONEIX	2
10	552850002-00	HEX HD SCREW - STEEL 8.8 - M5X12	2
11	552350008-00	WASHER - STEEL - 5.3X10X1.0	2
12	552850004-00	HEX HD SCREW - STEEL 8.8 - M6X16	4
13	552850201-00	WASHER - EN8 - 6.4X12.5X1.6	4

Note: For Sl.No 1. also refer the optional accessories section.

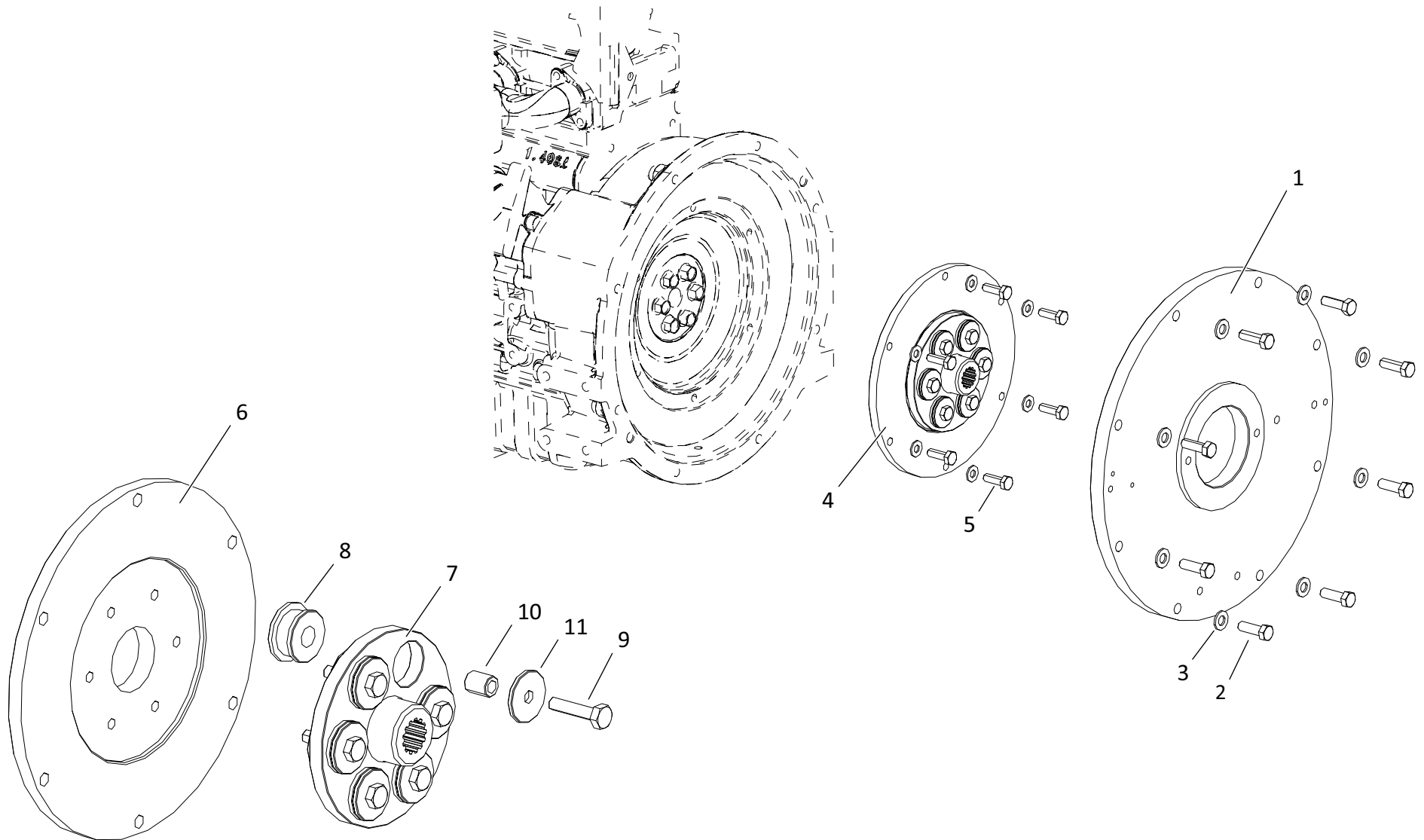
ENGINE ASSEMBLY - SILENCER



ENGINE ASSEMBLY - SILENCER

REF. NO.	PART NO	DESCRIPTION	QTY
1	558441608-00	SILENCER ASSEMBLY - DUO	1
2	553443035-00	HEAT SHIELD-EXHAUST MANIFOLD	1
3	553443036-00	HEAT SHIELD-SILENCER PIPE	1
4	553440833-00	GASKET - SILENCER	1
5	558441045-00	SILENCER END WMT - EXPORT	1
6	558441607-00	SILENCER TUBE TOP - DUO WMT	1
7	553440162-00	RUBBER BED - SILENCER	4
8	553442391-00	GASKET TOP - SILENCER	1
9	552850203-00	WASHER - EN8 - 8.4X17X1.6	6
10	552850011-00	HEX HD SCREW - STEEL 8.8 - M8X30	2
11	552850802-00	HEX NUT - STEEL GR.8 - M8	2
12	552850009-00	HEX HD SCREW - STEEL 8.8 - M8X20	4

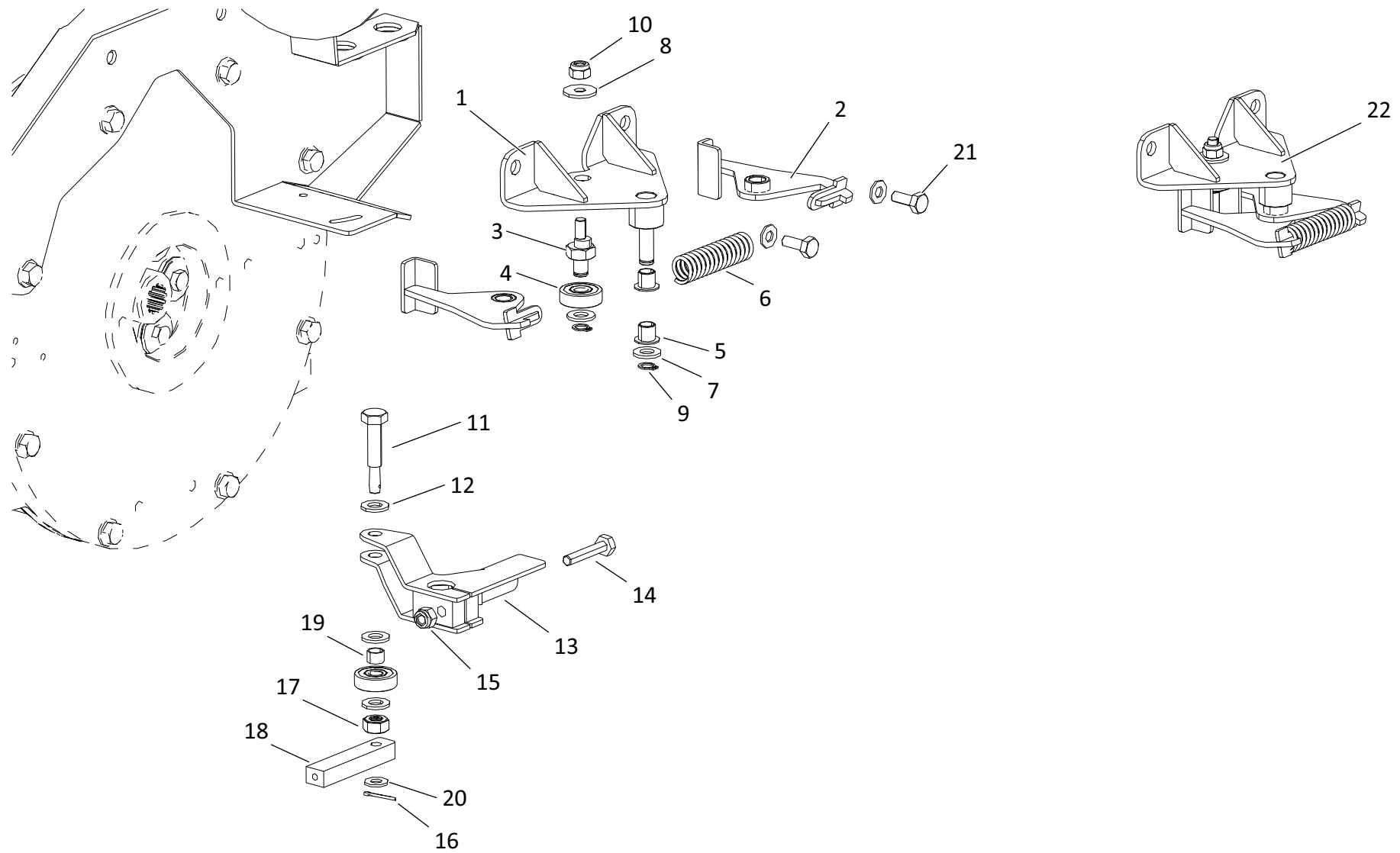
ENGINE ASSEMBLY - FLANGE & COUPLING



ENGINE ASSEMBLY - FLANGE & COUPLING

REF. NO.	PART NO	DESCRIPTION	QTY
1	553442012-00	FLANGE KUBOTA - FLYWHEEL SIDE	1
2	553441218-00	HEX HEAD SCREW - 3/8 - 16UNC	8
3	552850205-00	WASHER - EN8 - 10.5x20x2.0	8
4	558441004-00	COUPLING ASSY - FLYWHEEL	1
5	553442365-00	HEX HEAD SCREW - 5/16- 18UNC - 25	6
6	553442015-00	PLATE - COUPLING	1
7	553442016-00	HUB - COUPLING	1
8	553440082-00	BUSH - RUBBER - COUPLING	6
9	552850028-00	HEX HD SCREW - STEEL 8.8 - M8X35	6
10	553440083-00	BUSH - STEEL - COUPLING	6
11	553440084-00	WASHER - COUPLING - (8.2 X 32 X 3)	6

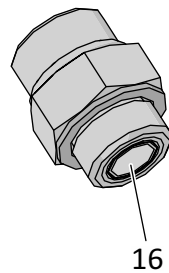
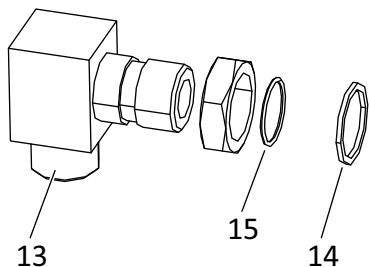
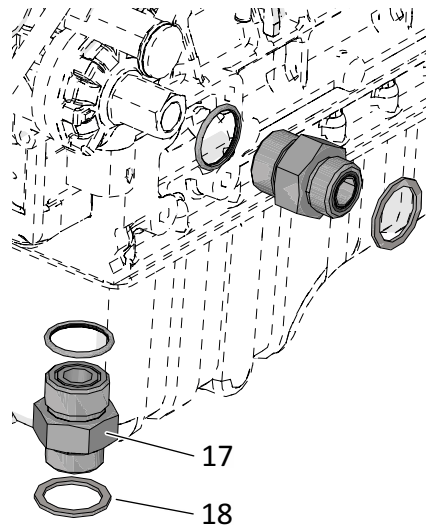
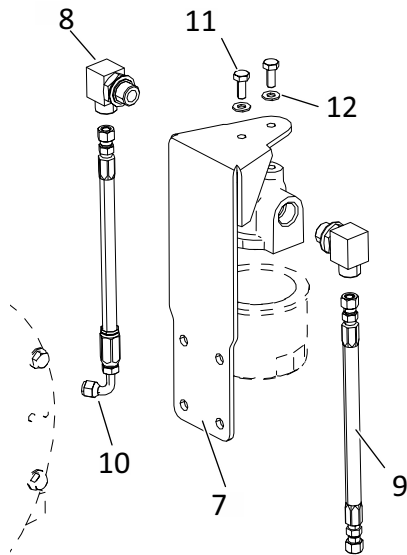
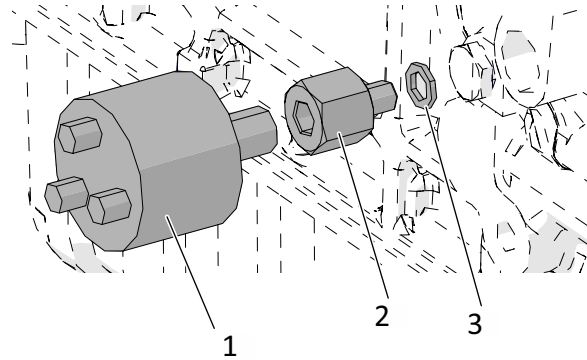
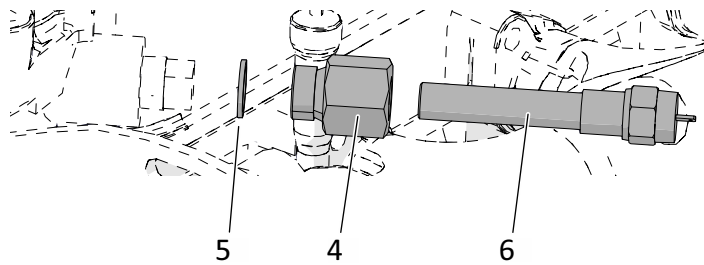
ENGINE ASSEMBLY - HST



ENGINE ASSEMBLY - HST

REF. NO.	PART NO	DESCRIPTION	QTY
1	558441491-00	HST ZERO POSITION TOP WMT - E4	1
2	558441011-00	ARM HST - WMT	2
3	553442053-00	PIN - HST ZERO POS	1
4	552610055-00	DEEP GROOVE BALL BEARING - 6200 2RS	1
5	552610052-00	IGUS BEARING - IGLIDUR GFM 1012-12	2
6	553442054-00	SPRING - HST ZERO POS	1
7	552850205-00	WASHER - EN8 - 10.5x20x2.0	2
8	552850204-00	WASHER - EN8 - 8.4X24X2.0	1
9	552670152-00	CIRCLIP - A10	2
10	552480008-00	HEX NYLOCK NUT - STEEL GR.8 - M8	1
11	553442057-00	PIVOT PIN - HST ZERO POS	1
12	552850205-00	WASHER - EN8 - 10.5x20x2.0	5
13	558441474-00	HST ZERO POS LEVER ASSY - E4 WMT	1
14	552850012-00	HEX HD SCREW - STEEL 8.8 - M8X40	1
15	552480008-00	HEX NYLOCK NUT - STEEL GR.8 - M8	1
16	552330003-00	COTTER PIN - STEEL - 2.0x16	1
17	552850803-00	HEX NUT - STEEL GR.8 - M10	1
18	553442058-00	END FORK - HST CABLE	1
19	552610083-00	IGUS BEARING - IGLIDUR GSM 1012-8	1
20	552850203-00	WASHER - EN8 - 8.4X17X1.6	3
21	552850009-00	HEX HD SCREW - STEEL 8.8 - M8X20	2
22	558441736-00	HST ASSY - EXPORT	1

ENGINE ASSEMBLY - SENSORS & OIL FILTER CONNECTORS



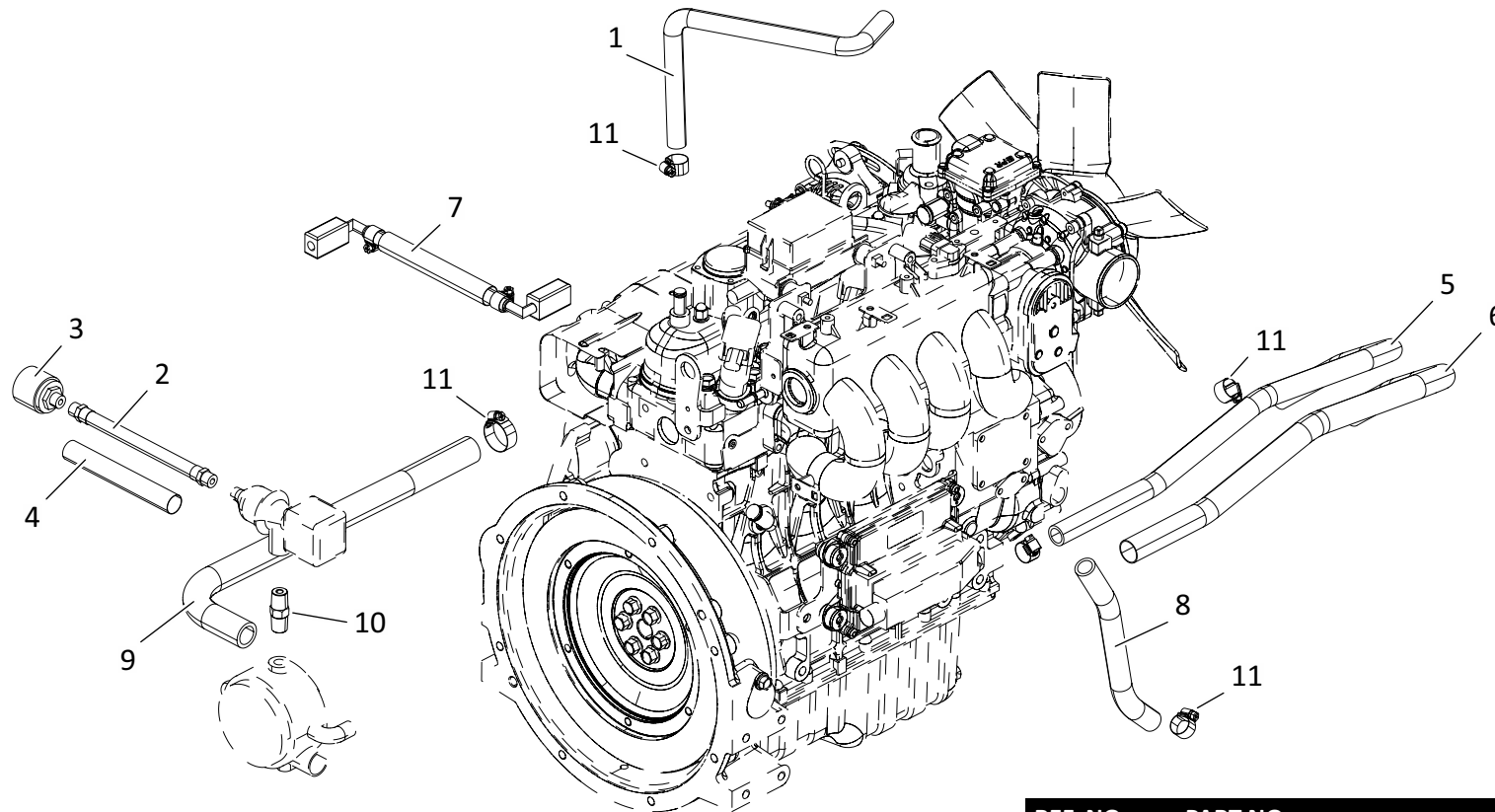
REF. NO.	PART NO	DESCRIPTION	QTY
1	553441398-00	SENSOR - OIL PRESSURE	1
2	553442905-00	ADAPTER - OIL PRESSURE SENSOR	1
3	552870105-00	COPPER WASHER - M8	1
4	553442570-00	ADAPTER - TEMPERATURE SENSOR	1
5	552670117-00	COPPER WASHER - 1/4"	1
6	553442906-00	TEMPERATURE SENSOR	1
7	553443348-00	OIL FILTER HOLDER	1
8	558441399-00	ADJ.EL 1/2" BSP TO 13/16" ORFS ASSY	2
9	553443116-00	13/16" ORFS ST - 13/16"ORFS ST 1/2" R2 L 1500	1
10	553443117-00	13/16" ORFS ST - 13/16" ORFS 90° 1/2" R2 L 1500	1
11	552850009-00	HEX HD SCREW - STEEL 8.8 - M8X20	2
12	552850203-00	WASHER - EN8 - 8.4X17X1.6	2
13	553441201-00	ADJ.ELBOW 1/2" BSP TO 13/16"UNF	1
14	552430056-00	O RING 17.96X2.62	1
15	552430051-00	O RING 12.4X1.78	5
16	558441740-00	ADAPTER - M16 TO 13/16" ORFS ASSY	2
17	553443126-00	ADAPTER - M16 TO 13/16" ORFS	1
18	552670072-00	3/8" DOWTY WASHER	1

ENGINE ASSEMBLY - ENGINE ASSOCIATED PARTS

REF. NO.	PART NO	DESCRIPTION	QTY
1	553443222-00	BASE OIL FILTER – CATRIDGE END	1
2	553443670-00	ENGINE OIL FILTER - REMOTE MTG	1
3	558441003-00	STARTER SWITCH KIT - KUBOTA	1
4	553443805-00	CONN. JOINT - CRANKCASE VENTILATION	1
5	553443810-00	PRESSURE CONTROLER - MANIFOLD	1
6	553443811-00	FUEL PUMP - DUO	1
7	553443812-00	FUEL FILTER - DUO	1
8	553443934-00	OXYGEN SENSOR - KUBOTA	1
9	553443936-00	LOCK OFF VALVE - DUO	1
10	553443937-00	VAPORIZER - DUO	1
11	553443938-00	CONNECTOR - VAPORIZER	2
12	553443939-00	GASKET - EX. MANIFOLD - DUO ENGINE	1
13	553443940-00	JOINT - MANIFOLD SUCTION LINE	2
14	553443941-00	JOINT - MANIFOLD OVERFLOW LINE	1
15	553443942-00	JOINT - FUEL PUMP	1

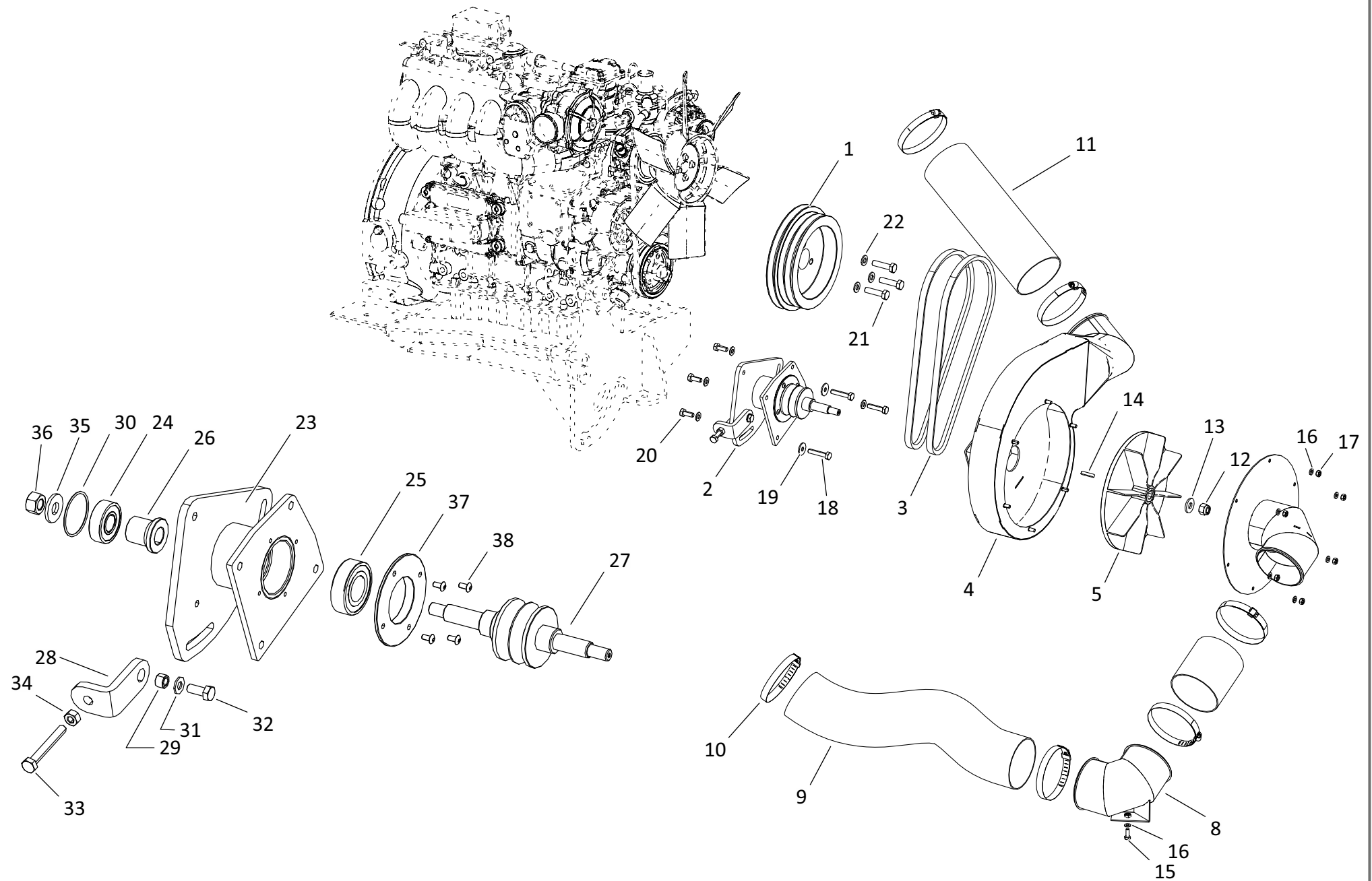
Note: Pictures for the above BOM are not shown in this manual.

ENGINE ASSEMBLY - LPG HOSES



REF. NO.	PART NO	DESCRIPTION	QTY
1	553443735-00	12.5mm HOSE (CR.CASE EMIS. TO FUEL MIXER)	1
2	553443727-00	1/4" LPG HOSE - FROM CYLINDER	1
3	553443824-00	LPG CYL. ADAPTER - DUO	1
4	553443901-00	1/4" LPG HOSE - PROTECTOR - FROM CYL	1
5	553443733-00	5/8" COOLENT HOSE (ENGINE TO VAPOURIZER)	1
6	553443900-00	CL. HOSE PROTECTOR (ENGINE - VAPOURIZER)	1
7	558441613-00	PETROL HOSE ASSY (MANIFOLD - ENGINE)	1
8	553443734-00	5/8" COOLENT HOSE (VAPOURIZER TO ENGINE)	1
9	553443726-00	3/4" LPG HOSE - (VAPOURIZER TO ENGINE)	1
10	553443894-00	ADAPTER - VAPOURIZER INLET	1
11	552870049-00	HOSE CLAMP 3/4" SS KLIP -WEL/PHONEIX	6

ENGINE ASSEMBLY - IMPELLER

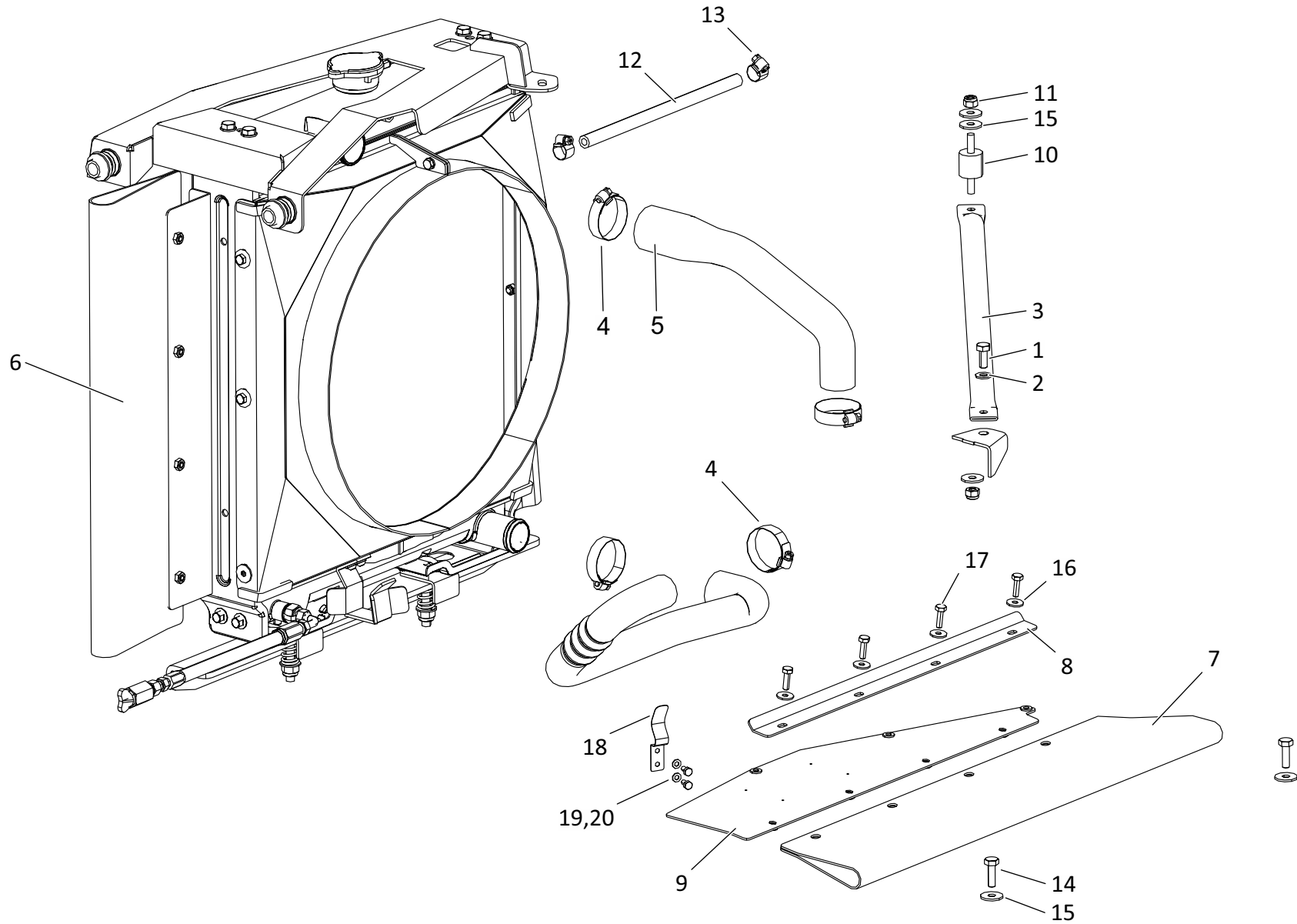


ENGINE ASSEMBLY - IMPELLER

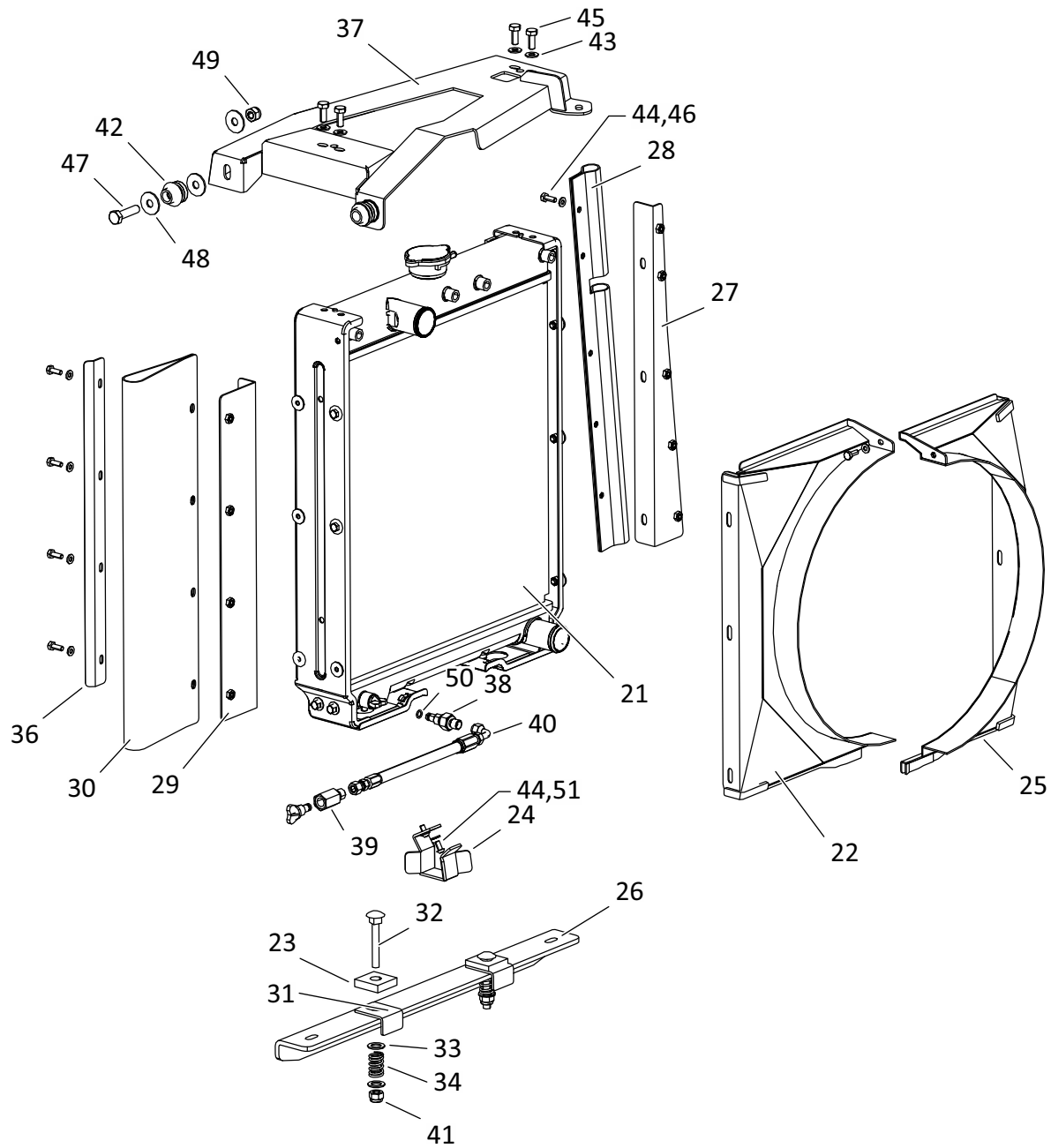
REF. NO.	PART NO	DESCRIPTION	QTY
1	553443285-00	DOUBLE GROOVE PULLEY - E4 ENGINE	1
2	558441462-00	IMP HOUSING ASSY - E4	1
3	553443344-00	IMPELLER COGGED BELT AX 34 - 900	2
4	558441467-00	IMPELLER FAN HOUSING WMT - E4	1
5	553442728-00	MOULDED IMPELLER	1
6	558441468-00	IMPELLER - E4 INLET DUCT	1
7	553443303-00	TRANSPARENT DUCT CONNECTING HOSE	1
8	558441478-00	IMPELLER - INLET DUCT	1
9	553443302-00	HOSE - INLET DUCT	1
10	552670159-00	HOSE CLAMP - 95-110	6
11	553443304-00	TRANSPARENT FLEXIBLE HOSE 300mm	1
12	552480014-00	HEX NYLOCK NUT - STEEL - M12	1
13	552850207-00	WASHER - EN8 - 12.5X28X3	1
14	553440429-00	KEY - 5 x 28	1
15	552850004-00	HEX HD SCREW - STEEL 8.8 - M6X16	1
16	552850201-00	WASHER - EN8 - 6.4X12.5X1.6	7
17	552850801-00	HEX NUT - STEEL GR.8 - M6	6
18	552850012-00	HEX HD SCREW - STEEL 8.8 - M8X40	3
19	552850204-00	WASHER - EN8 - 8.4X24X2.0	3
20	552850009-00	HEX HD SCREW - STEEL 8.8 - M8X20	3
21	553442369-00	HEX HEAD SCREW - M10 X 1.25 - 40	3
22	552850205-00	WASHER - EN8 - 10.5x20x2.0	3
23	558441460-00	IMP BEARING HOUSING - WMT	1
24	552610069-00	DEEP GROOVE BALL BEARING - 6203 2RS - SKF	1
25	552610068-00	DEEP GROOVE BALL BEARING - 6205 2RS - SKF	1
26	553442254-00	SPACER BEARING	1
27	553442255-00	IMPELLER DRIVE SHAFT	1
28	558441461-00	BELT TENSION BKT - WMT	1
29	553443250-00	BUSH TENSIONER BKT - E4	1
30	552430048-00	O RING - 40X2	1

REF. NO.	PART NO	DESCRIPTION	QTY
31	552850203-00	WASHER - EN8 - 8.4X17X1.6	1
32	552850009-00	HEX HD SCREW - STEEL 8.8 - M8X20	1
33	552040028-00	HEX HEAD SCREW-SS304-M8X60	1
34	552850802-00	HEX NUT - STEEL GR.8 - M8	1
35	552850207-00	WASHER - EN8 - 12.5X28X3	1
36	552850804-00	HEX NUT - STEEL GR.8 - M12	1
37	553442927-00	BEARING RETAINER - IMPELLER HOUSING	1
38	552850921-00	SOC BUTTON HD CAP SCREW - STEEL - M5X10	4

ENGINE ASSEMBLY - RADIATOR



ENGINE ASSEMBLY - RADIATOR

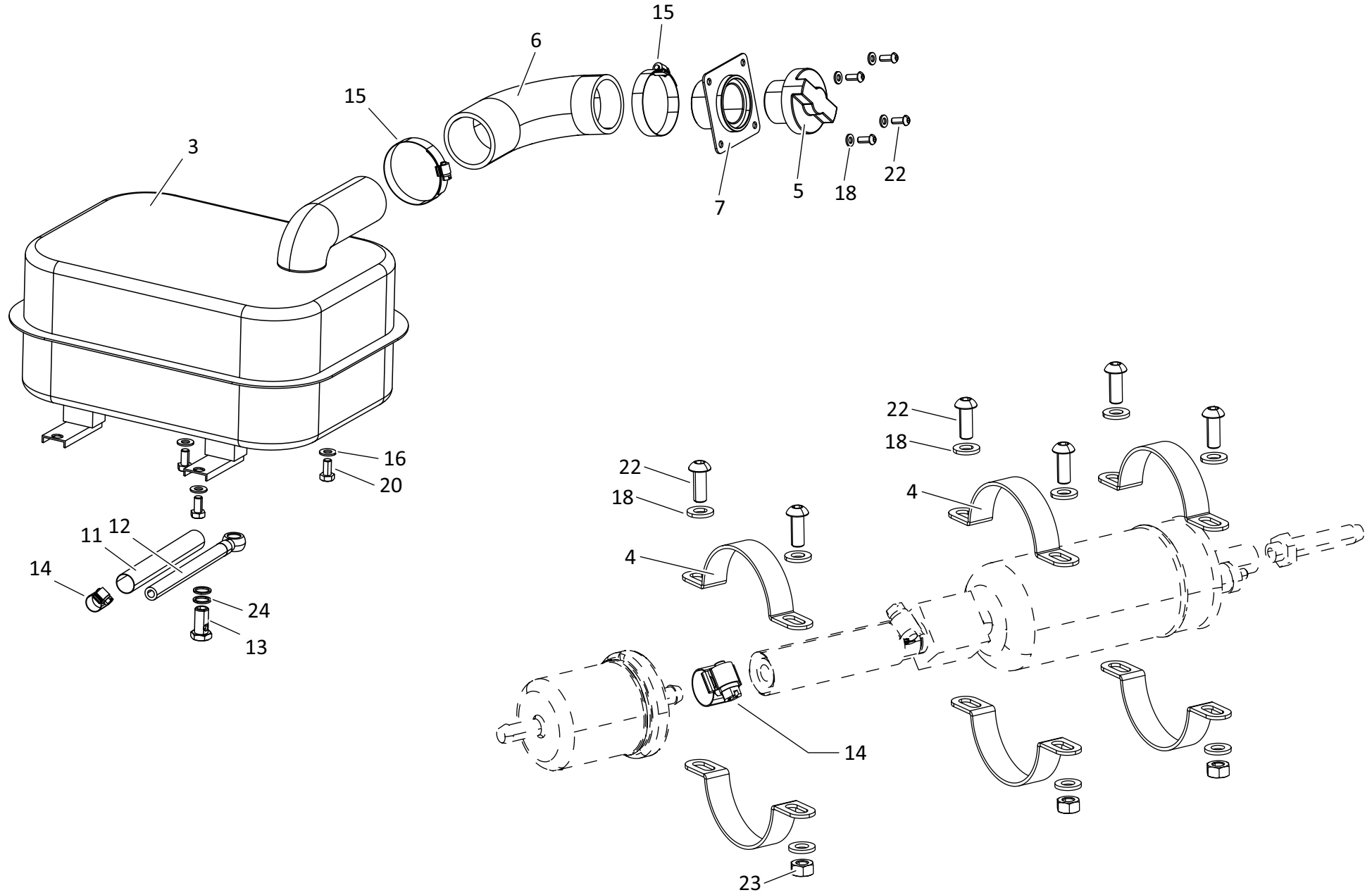


ENGINE ASSEMBLY - RADIATOR

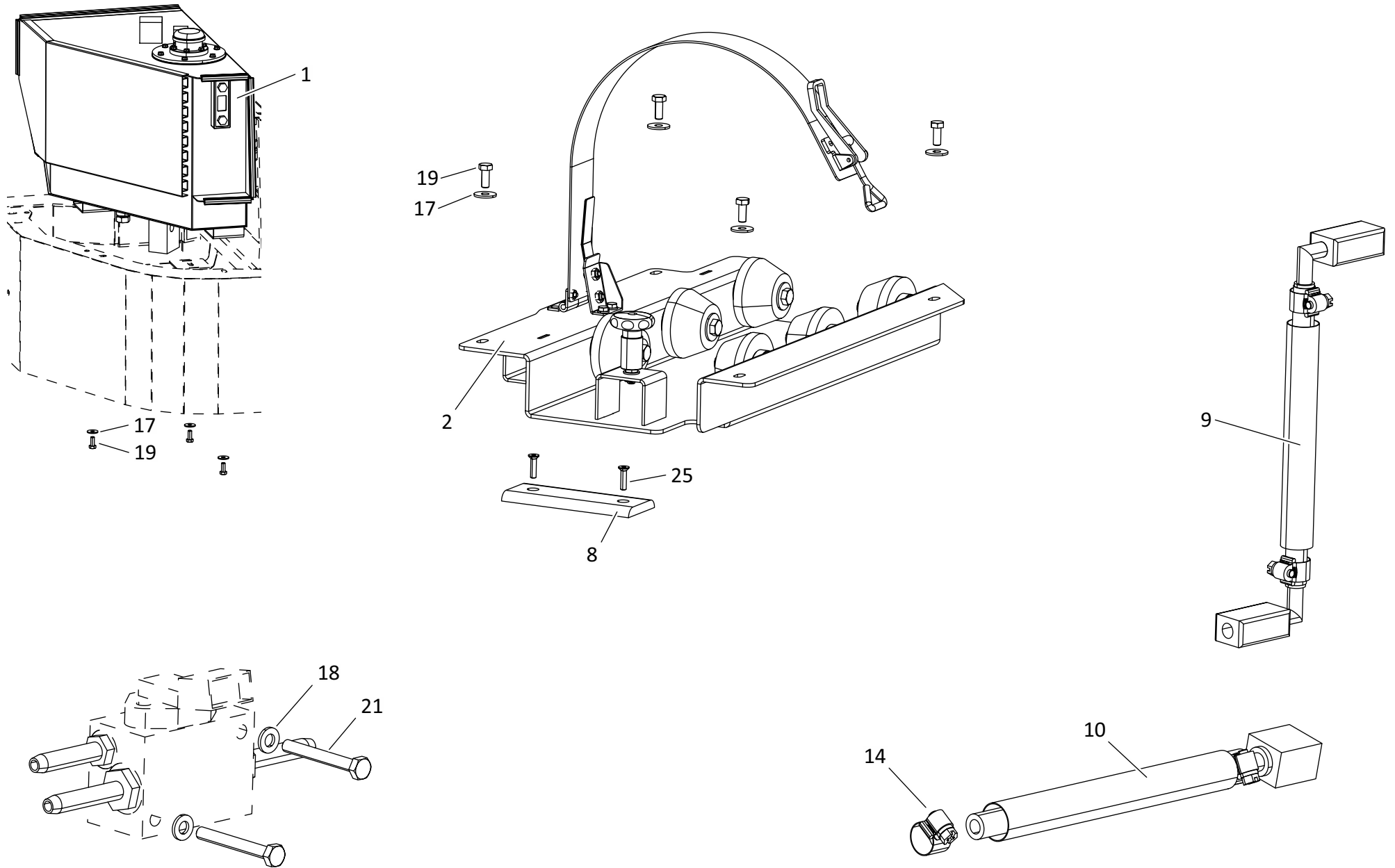
REF. NO.	PART NO	DESCRIPTION	QTY
1	552850009-00	HEX HD SCREW - STEEL 8.8 - M8X20	1
2	552850203-00	WASHER - EN8 - 8.4X17X1.6	1
3	553443310-00	PIPE RAD TOP SUPPORT	1
4	552670003-00	HOSE CLAMP - 32-50	4
5	553442285-00	WATER INLET HOSE - RADIATOR	1
6	558441477-00	RADIATOR ASSEMBLY - E4	1
7	553443381-00	RUBBER FLAP - RAD. BOTTOM	1
8	553443297-00	FLAP MTG PLATE RAD RH	1
9	558441488-00	BASE COVER PLATE WMT - RAD	1
10	553443347-00	RUBBER MOUNTING	1
11	552480008-00	HEX NYLOCK NUT - STEEL GR.8 - M8	1
12	553442993-00	HOSE RECOVERY TANK	1
13	552870051-00	HOSE CLAMP-8mm STEEL KLIP-WEL/PHONEIX	2
14	552850010-00	HEX HD SCREW - STEEL 8.8 - M8X25	2
15	552850204-00	WASHER - EN8 - 8.4X24X2.0	6
16	552850202-00	WASHER - EN8 - 6.4x18x2	4
17	552850005-00	HEX HD SCREW - STEEL 8.8 - M6X20	4
18	553440404-00	SPRING - MB SPANNER	1
19	552350008-00	WASHER - STEEL - 5.3X10X1.0	2
20	552850002-00	HEX HD SCREW - STEEL 8.8 - M5X12	2
21	553440130-00	RADIATOR	1
22	558441083-00	RADIATOR COVER - WMT	1
23	553440752-00	PAD - RADIATOR	2
24	558441366-00	RADIATOR HOSE CLAMP - WMT	1
25	558441358-00	RADIATOR COVER RH - WMT	1
26	553443295-00	BASE PLATE - RAD BOTTOM	1
27	558441483-00	RADIATOR RH - FLAP HOLDER WMT	1
28	553443341-00	RUBBER FLAP - SIDE FRAME RADIATOR LH	1

REF. NO.	PART NO	DESCRIPTION	QTY
29	558441475-00	FLAP HOLDER RADIATOR - RH WMT	1
30	553443350-00	RUBBER FLAP - RADIATOR FRAME RH SIDE	1
31	553440751-00	STOPPER - RADIATOR	2
32	553440749-00	CARRIAGE BOLT - RADIATOR	2
33	553442925-00	WASHER - RADIATOR ASSY	4
34	553442924-00	SPRING - RADIATOR ASSY	2
35	553443298-00	BOTTOM FLAP MTG PLATE	1
36	553443297-00	FLAP MTG PLATE RAD RH	1
37	558441476-00	RAD TOP MTG WMT	1
38	553443342-00	RADIATOR DRAIN ST M14 - 1/4" BSP	1
39	553443343-00	RADIATOR END DUMMY	1
40	553443338-00	DRAIN HOSE - RADIATOR COOLANT	1
41	553440750-00	7/16 UNC NYLOCK NUT - RADIATOR	2
42	553440330-00	ISOLATOR - SB	2
43	552850203-00	WASHER - EN8 - 8.4X17X1.6	4
44	552850201-00	WASHER - EN8 - 6.4X12.5X1.6	12
45	552850009-00	HEX HD SCREW - STEEL 8.8 - M8X20	4
46	552850004-00	HEX HD SCREW - STEEL 8.8 - M6X16	10
47	552040025-00	HEX HEAD SCREW-SS304-M10X40	2
48	552850206-00	WASHER - EN8 - 10.5x30x2.0	6
49	552480012-00	HEX NYLOCK NUT - STEEL - M10	2
50	552430074-00	O - RING 7X2	1
51	552850901-00	SOC BUTTON HD CAP SCREW - STEEL - M6X12	2

ENGINE ASSEMBLY - GASOLINE & LPG FUEL TANK



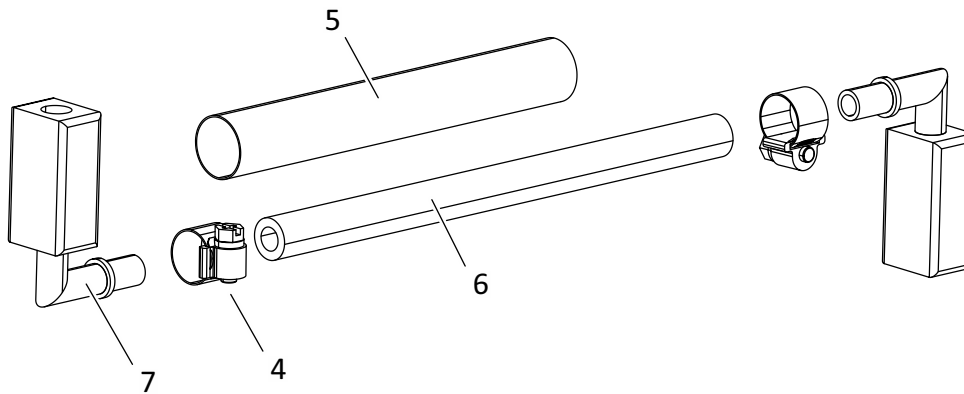
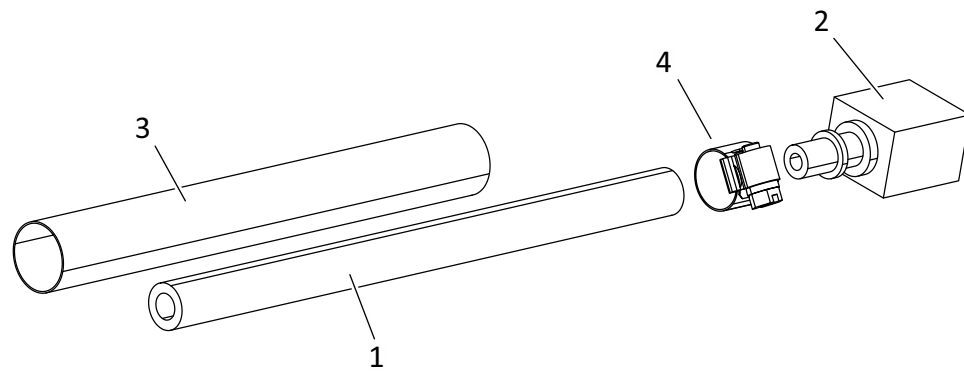
ENGINE ASSEMBLY - GASOLINE & LPG FUEL TANK



ENGINE ASSEMBLY - GASOLINE & LPG FUEL TANK

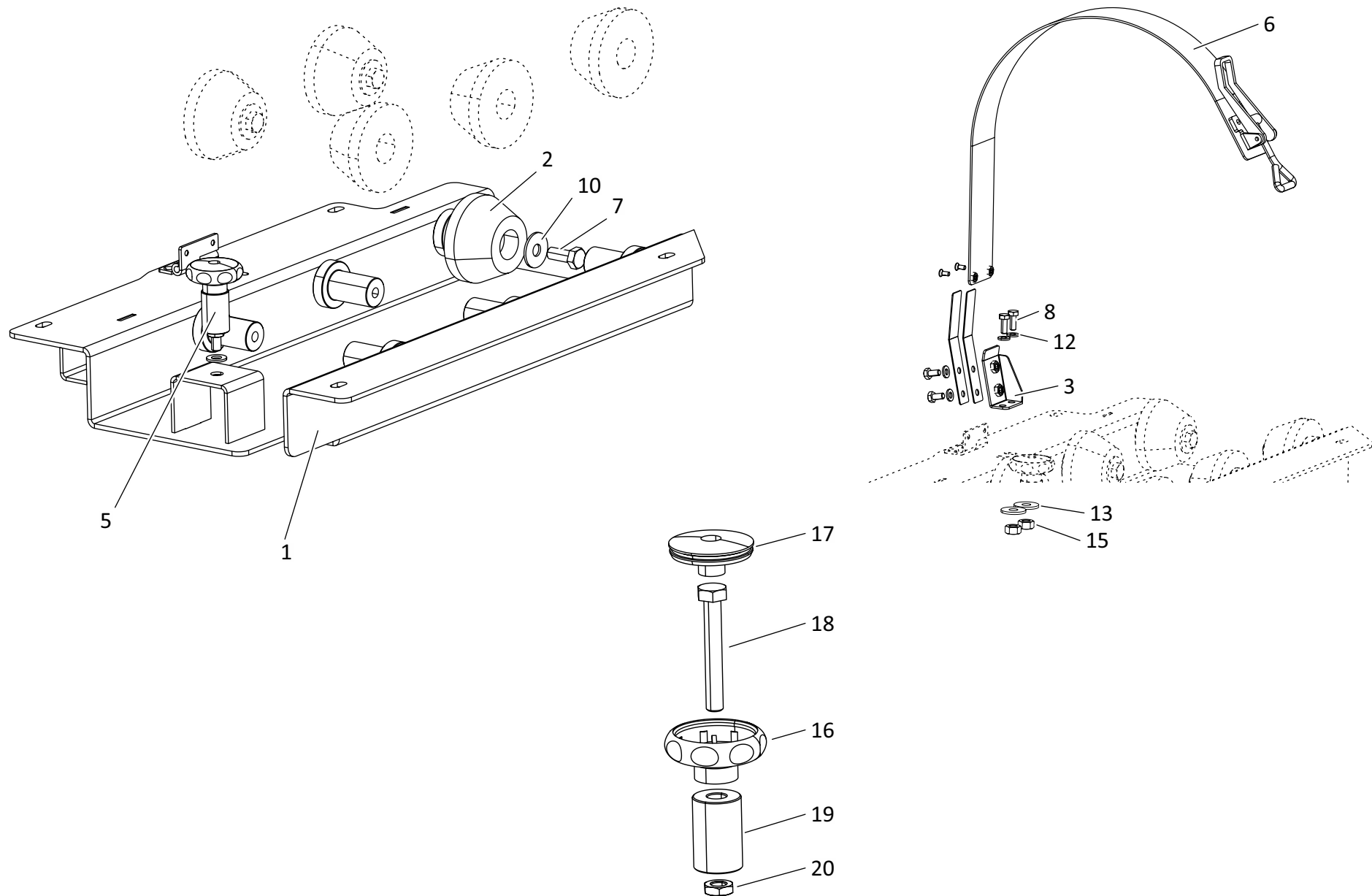
REF. NO.	PART NO	DESCRIPTION	QTY
1	558441792-00	HYD TANK ASSY - DUO	1
2	558441598-00	LPG CYL. MTG SLIDER ASSY	1
3	553443820-00	PETROL TANK	1
4	553443829-00	CLAMP - FUEL SUCTION UNIT	6
5	553440122-00	CAP - FUEL TANK	1
6	553443821-00	RUBBER HOSE - FUEL INLET -DUO	1
7	558441605-00	FUEL NECK WMT - DUO	1
8	553443948-00	NYLON BLOCK - LPG CYL. EJECTION	1
9	558441768-00	PETROL HOSE ASSY (PUMP - MANIFOLD)	1
10	558441769-00	PETROL HOSE ASSY (MANIFOLD - FUEL DRAIN)	1
11	553443903-00	PETROL HOSE PROTECTOR (TANK TO FUEL FILTER)	1
12	553443729-00	5/16" HOSE - PETROL TANK TO FUEL FILTER	1
13	553441141-00	BANJO BOLT - M14	1
14	552870051-00	HOSE CLAMP-8mm STEEL KLIP-WEL/PHONEIX	3
15	552670052-00	HOSE CLAMP - 60-70	2
16	552850203-00	WASHER - EN8 - 8.4X17X1.6	3
17	552850204-00	WASHER - EN8 - 8.4X24X2.0	7
18	552850201-00	WASHER - EN8 - 6.4X12.5X1.6	15
19	552850009-00	HEX HD SCREW - STEEL 8.8 - M8X20	7
20	552850008-00	HEX HD SCREW - STEEL 8.8 - M8X16	3
21	552020013-00	HEX HEAD SCREW-STEEL8.8-M6X50	2
22	552850902-00	SOC BUTTON HD CAP SCREW - STEEL - M6X16	10
23	552850801-00	HEX NUT - STEEL GR.8 - M6	3
24	552670117-00	COPPER WASHER - 1/4"	2
25	552850503-00	HEX SOC CSK HD SCREW - STEEL - M6X25	2
26	558441795-00	PETROL HOSE ASSY (FILTER - PUMP)	1

ENGINE ASSEMBLY - GASOLINE & LPG FUEL TANK



REF. NO.	PART NO	DESCRIPTION	QTY
1	55344 3732-00	5/16" PETROL HOSE (MANIFOLD TO FUEL DRAIN)	1
2	55344 3826-00	8mm QUICK CONNECTOR - ST	1
3	55344 3906-00	PETROL HOSE - PROTECTOR (MANIFOLD TO FUEL DRAIN)	1
4	552870051-00	HOSE CLAMP-8mm STEEL KLIP-WEL/PHONEIX	3
5	55344 3905-00	PETROL HOSE PROTECTOR (PUMP - MANIFOLD)	1
6	55344 3731-00	5/16" PETROL HOSE (PUMP TO MANIFOLD)	1
7	55344 3825-00	8mm QUICK CONNECTOR - 90	2

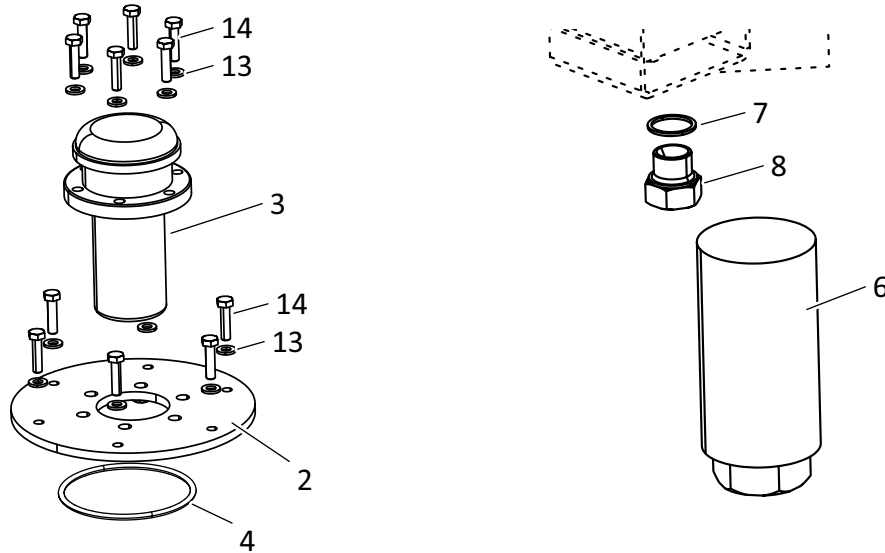
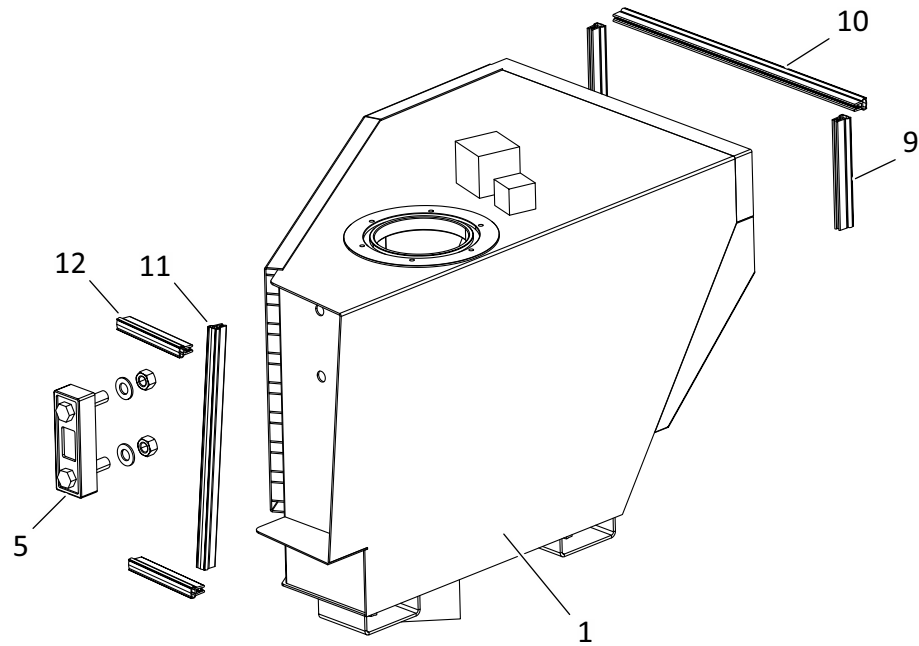
ENGINE ASSEMBLY - GASOLINE & LPG FUEL TANK



ENGINE ASSEMBLY - GASOLINE & LPG FUEL TANK

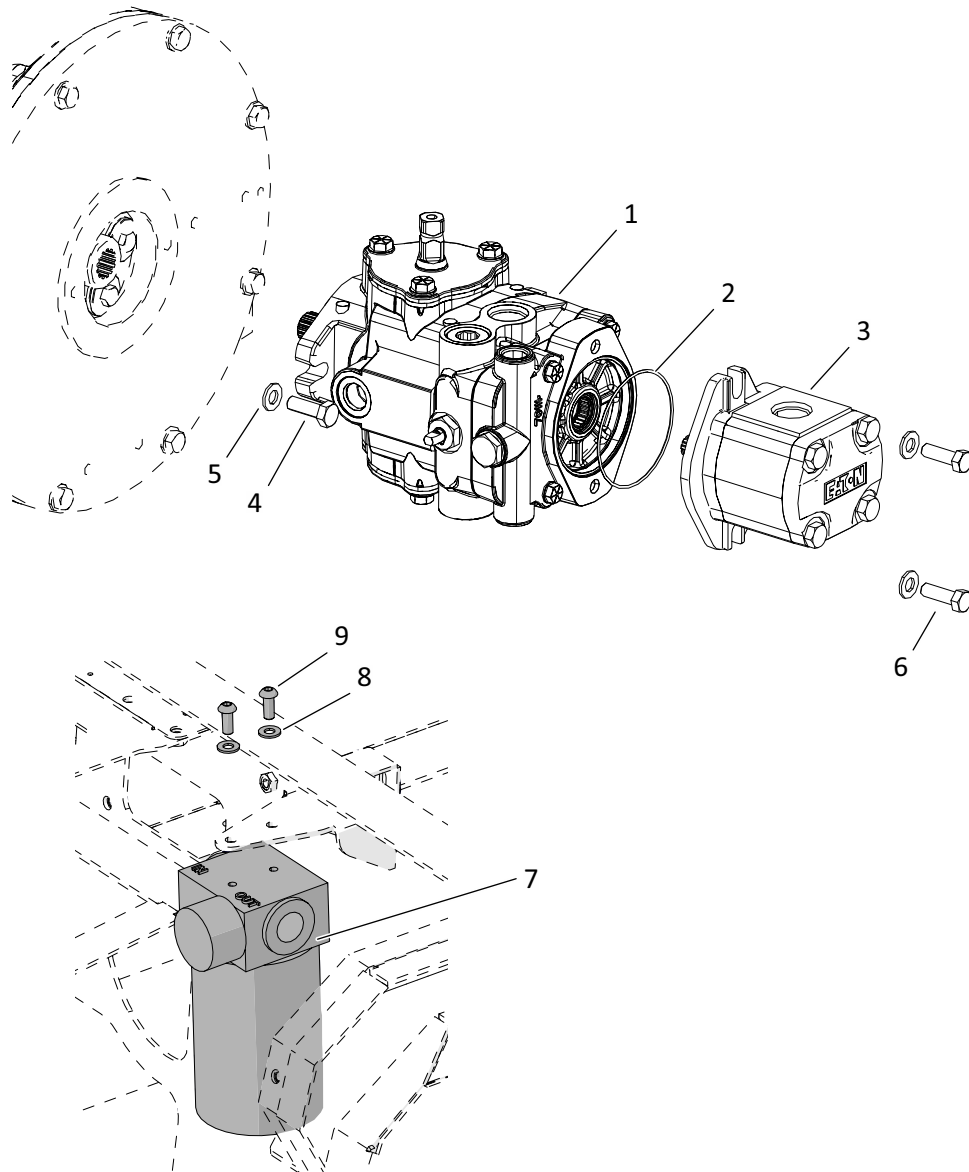
REF. NO.	PART NO	DESCRIPTION	QTY
1	558441776-00	LPG CYL. MTG SLIDER WMT	1
2	553443817-00	ROLLER - LPG CYLINDER MTG	6
3	558441793-00	LEAF SPRING MTG BKT (LPG) - WMT	1
4	553443853-00	LEAF SPRING - LPG CYL LOCK	2
5	558441609-00	LPG CYL. LOCK KNOB ASSY	1
6	558441790-00	CYL DIA 310.0mm STRAP LOCK WMT	1
7	552850017-00	HEX HD SCREW - STEEL 8.8 - M10X25	6
8	552850004-00	HEX HD SCREW - STEEL 8.8 - M6X16	2
9	552850003-00	HEX HD SCREW - STEEL 8.8 - M6X12	2
10	552850206-00	WASHER - EN8 - 10.5x30x2.0	6
11	552850203-00	WASHER - EN8 - 8.4X17X1.6	1
12	552850201-00	WASHER - EN8 - 6.4X12.5X1.6	4
13	552850202-00	WASHER - EN8 - 6.4x18x2	2
14	552210017-00	HEX SOC CSK HD SCREW -STEEL -M4X10	2
15	552850801-00	HEX NUT - STEEL GR.8 - M6	2
16	553210026-00	BODY-KNOB	1
17	553210027-00	TOP CAP -KNOB	1
18	552850025-00	HEX HD SCREW - STEEL 8.8 - M8X55	1
19	553443819-00	SPACER-LPG CYLINDER MTG	1
20	552250004-00	HEX LOCK NUT - STEEL M8	1

HYDRAULICS - HYDRAULIC OIL TANK



REF. NO.	PART NO	DESCRIPTION	QTY
1	558441592-00	HYD TANK WMT - DUO	1
2	558440068-00	MAN HOLE COVER - WMT	1
3	553440342-00	FILLER BREATHER - HYD TANK	1
4	552430038-00	O RING - 110x5	1
5	553440339-00	LEVEL GAUGE - HYD TANK	1
6	553440343-00	SUCTION STRAINER - HYD TANK	1
7	552670081-00	COPPER WASHER - 1/2"	1
8	553440777-00	HOSE PLUG - 1/2"	1
9	553443943-00	BEADING HYD TANK - DUO	1
10	553443944-00	SIDE BEADING HYD TANK - DUO	2
11	553443945-00	FRNT BEADING HYD TANK - DUO	1
12	553443946-00	BTM BEADING HYD TANK - DUO	2
13	552850201-00	WASHER - EN8 - 6.4X12.5X1.6	12
14	552850006-00	HEX HD SCREW - STEEL 8.8 - M6X25	12

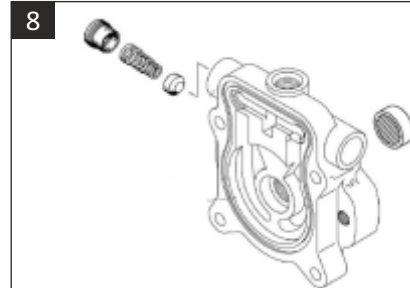
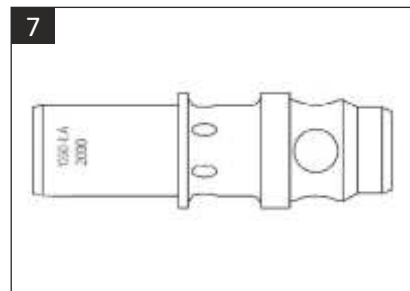
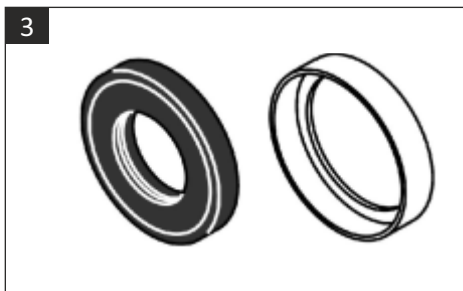
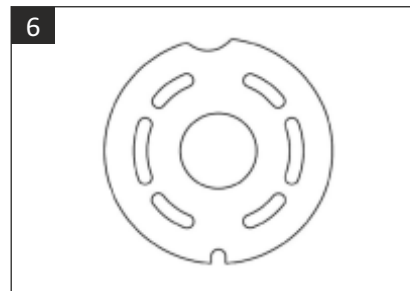
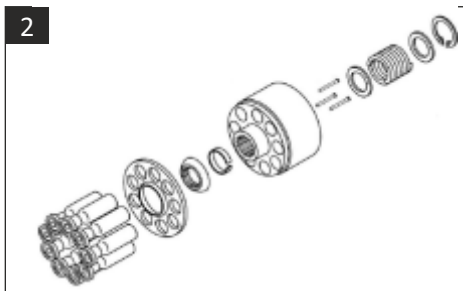
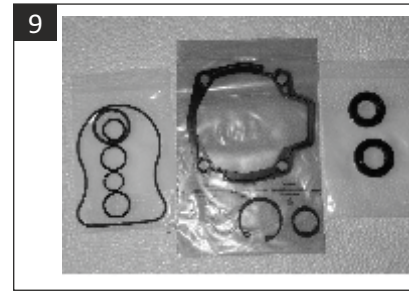
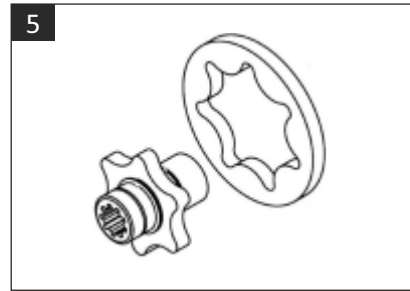
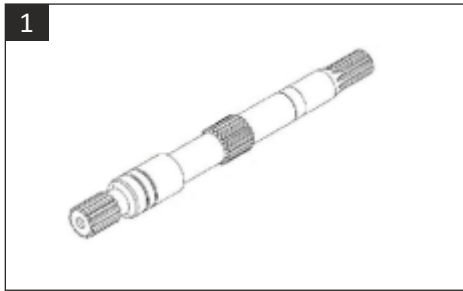
HYDRAULICS - HYDRAULIC PUMP



REF. NO.	PART NO	DESCRIPTION	QTY
1	553440070-00	PUMP - VARIABLE DISPLACEMENT	1
2	552430040-00	O RING - 82 X 2	1
3	553440349-00	MAIN PUMP	1
4	552850018-00	HEX HD SCREW - STEEL 8.8 - M10X30	2
5	552850205-00	WASHER - EN8 - 10.5x20x2.0	4
6	553441218-00	HEX HEAD SCREW - 3/8 - 16UNC	2
7	558440067-00	RETURN LINE FILTER	1
8	552850207-00	WASHER - EN8 - 12.5x28x3	2
9	552850907-00	SOC BUTTON HD CAP SCREW-ST 8.8 - M8 X 20	2
10	551460001-00	EDGE PROTECTOR	1 M

Note: Item No. 10 is not shown in the figure.

HYDRAULICS - HYDRAULIC SEAL KITS

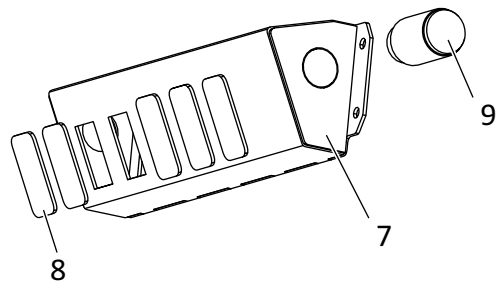
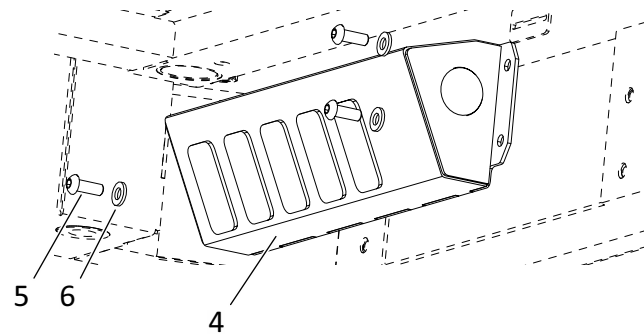
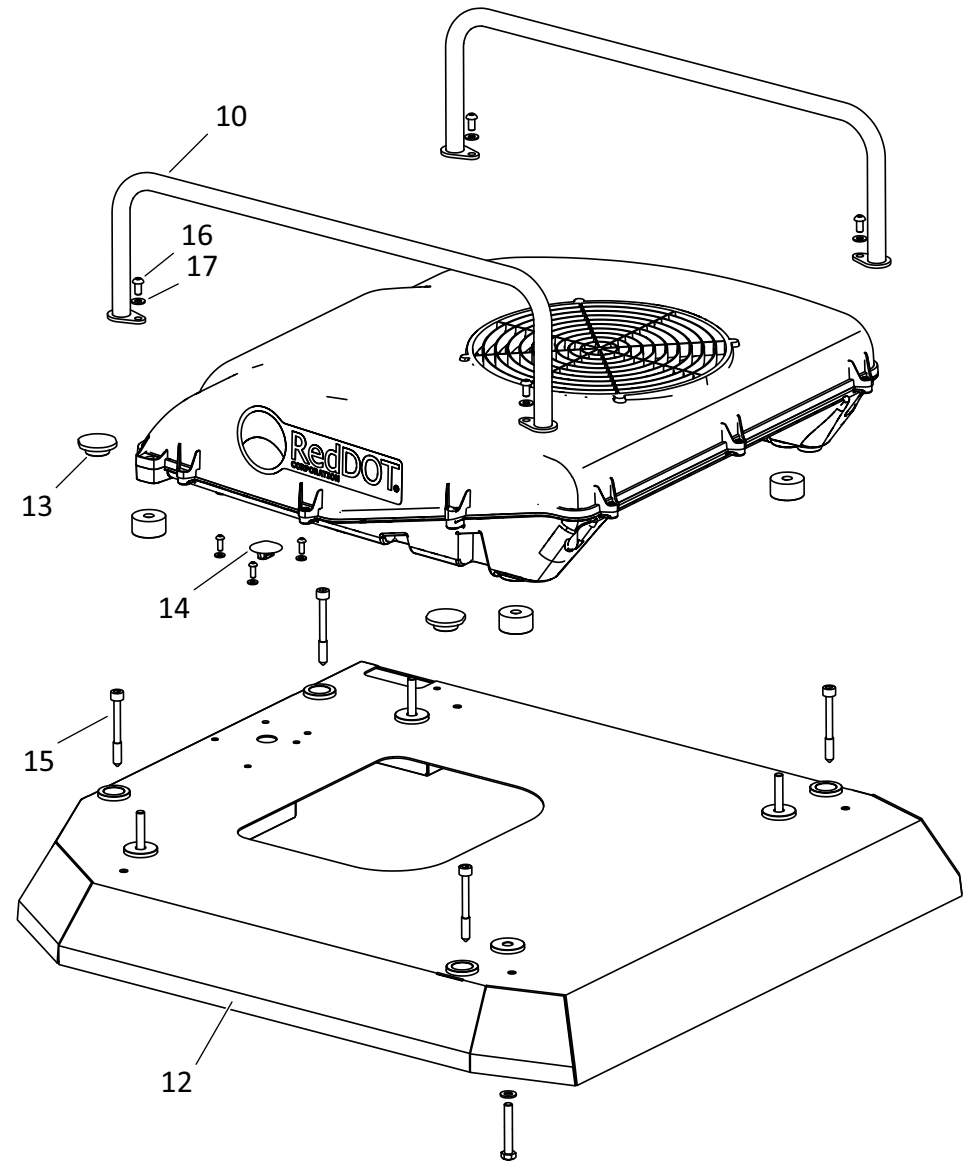
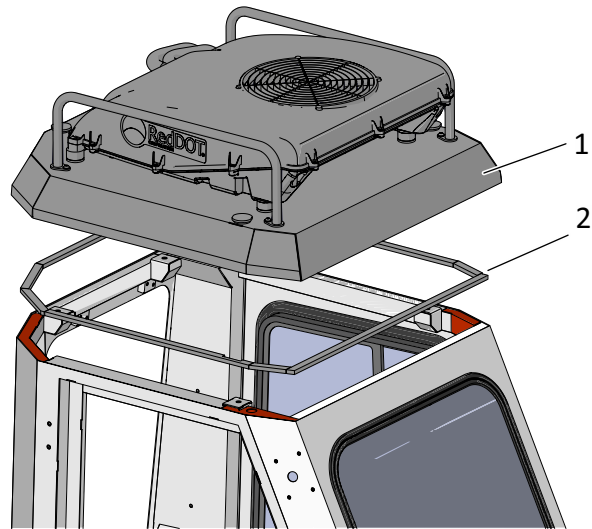


HYDRAULICS - HYDRAULIC SEAL KITS

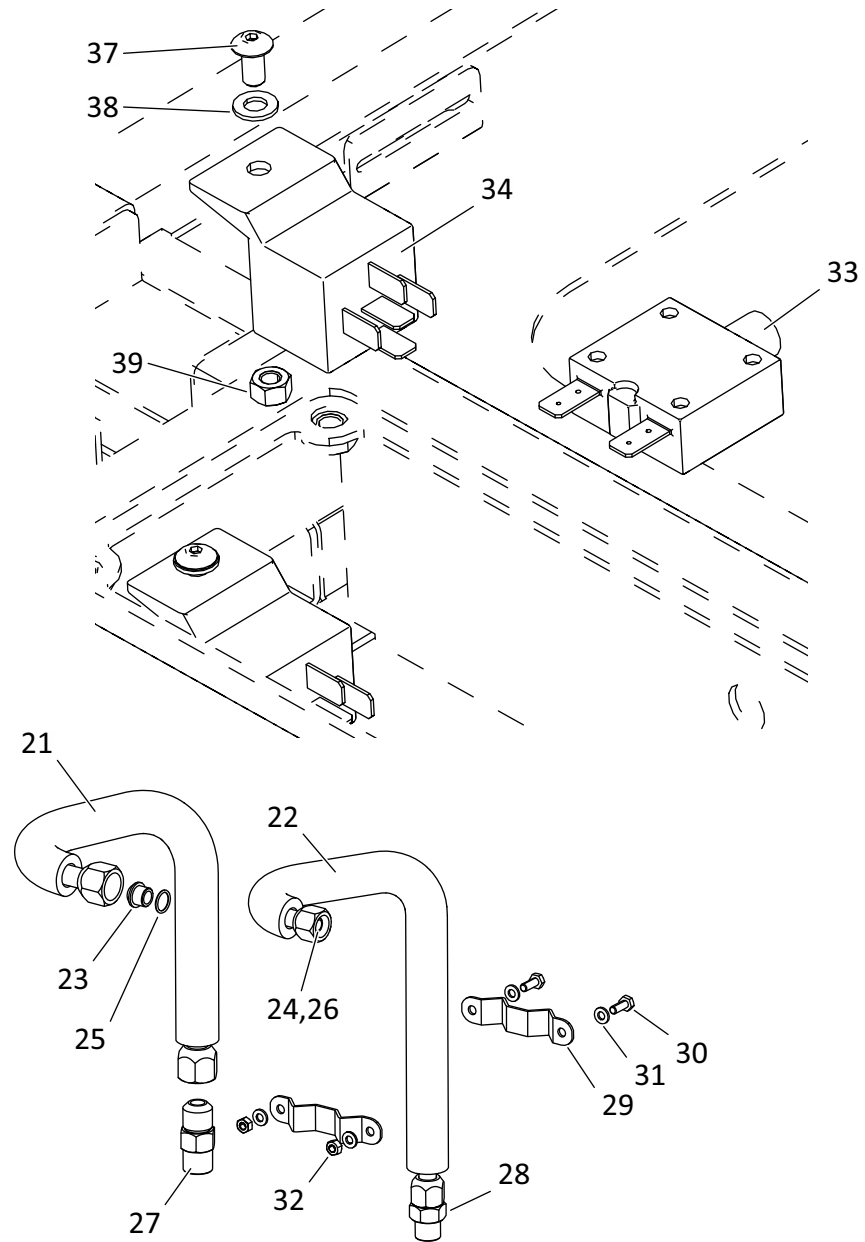
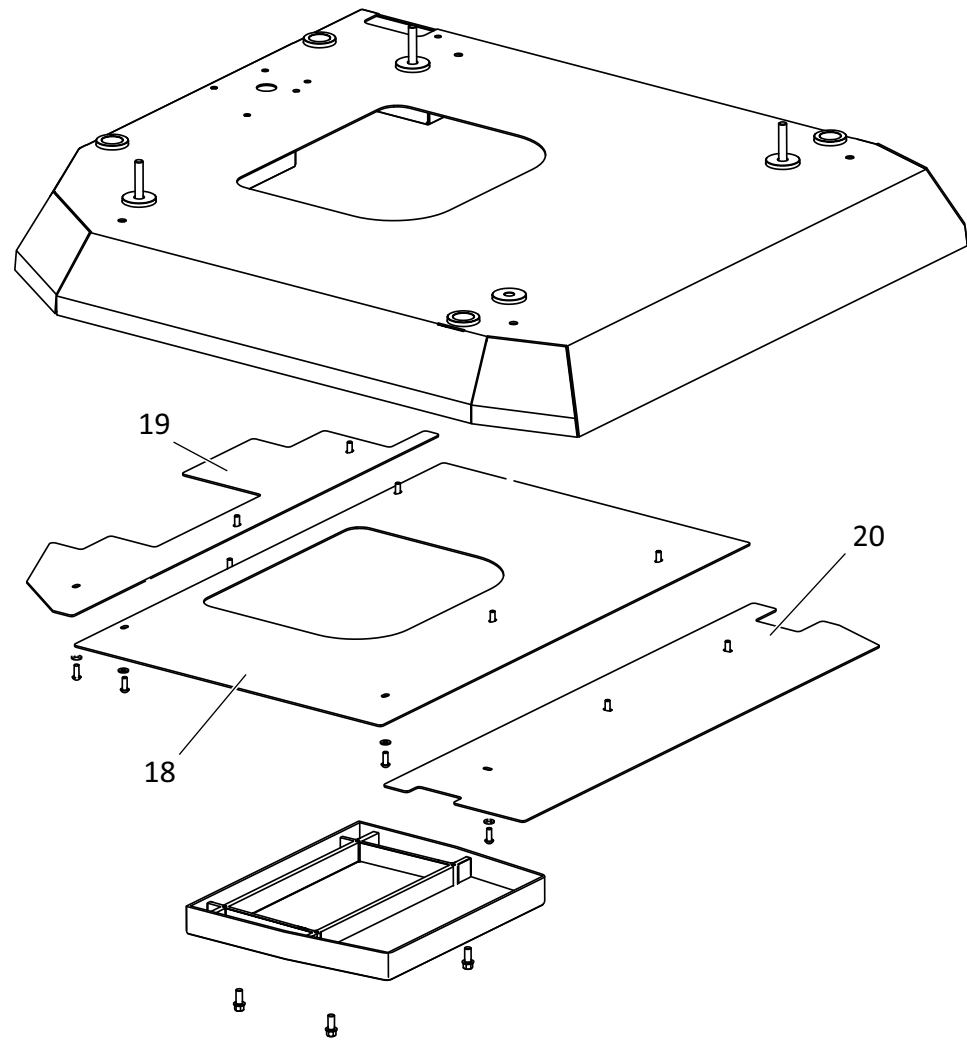
REF. NO.	PART NO	DESCRIPTION	QTY
1	553441385-00	SHAFT - VDP	1
2	553441386-00	ROTATING KIT - VDP	1
3	553441387-00	SEAL SHAFT - VDP	1
4	553441388-00	SEAL SHAFT (TRUNION) - VDP	1
5	553441389-00	GEROTOR & COUPLER ASSY - VDP	1
6	553441390-00	VALVE PLATE - VDP	1
7	553441391-00	RELIEF VALVE SUBASSY - VDP	1
8	553441392-00	CHARGE PUMP ADAPTER - VDP	1
9	553441393-00	SEAL KIT - VDP	1
10	553441394-00	SEAL KIT - MB MOTOR	1
11	553441395-00	SEAL KIT - WHEEL MOTOR	1
12	553441396-00	SEAL KIT - MAIN PUMP	1

NOTE : Item No 13,14,15 & 16 not shown in figure.

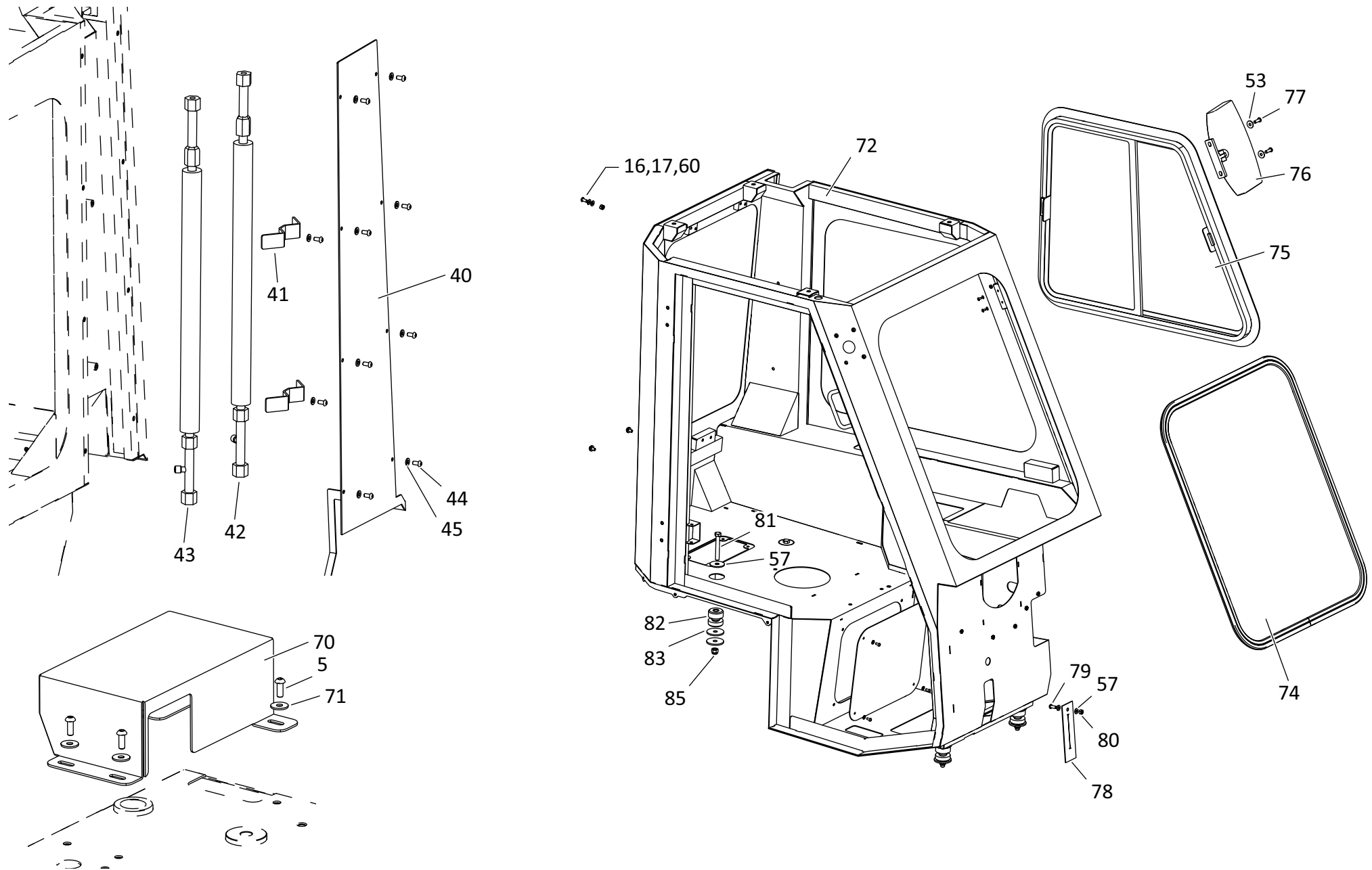
CABIN ASSEMBLY - AIR CONDITIONED



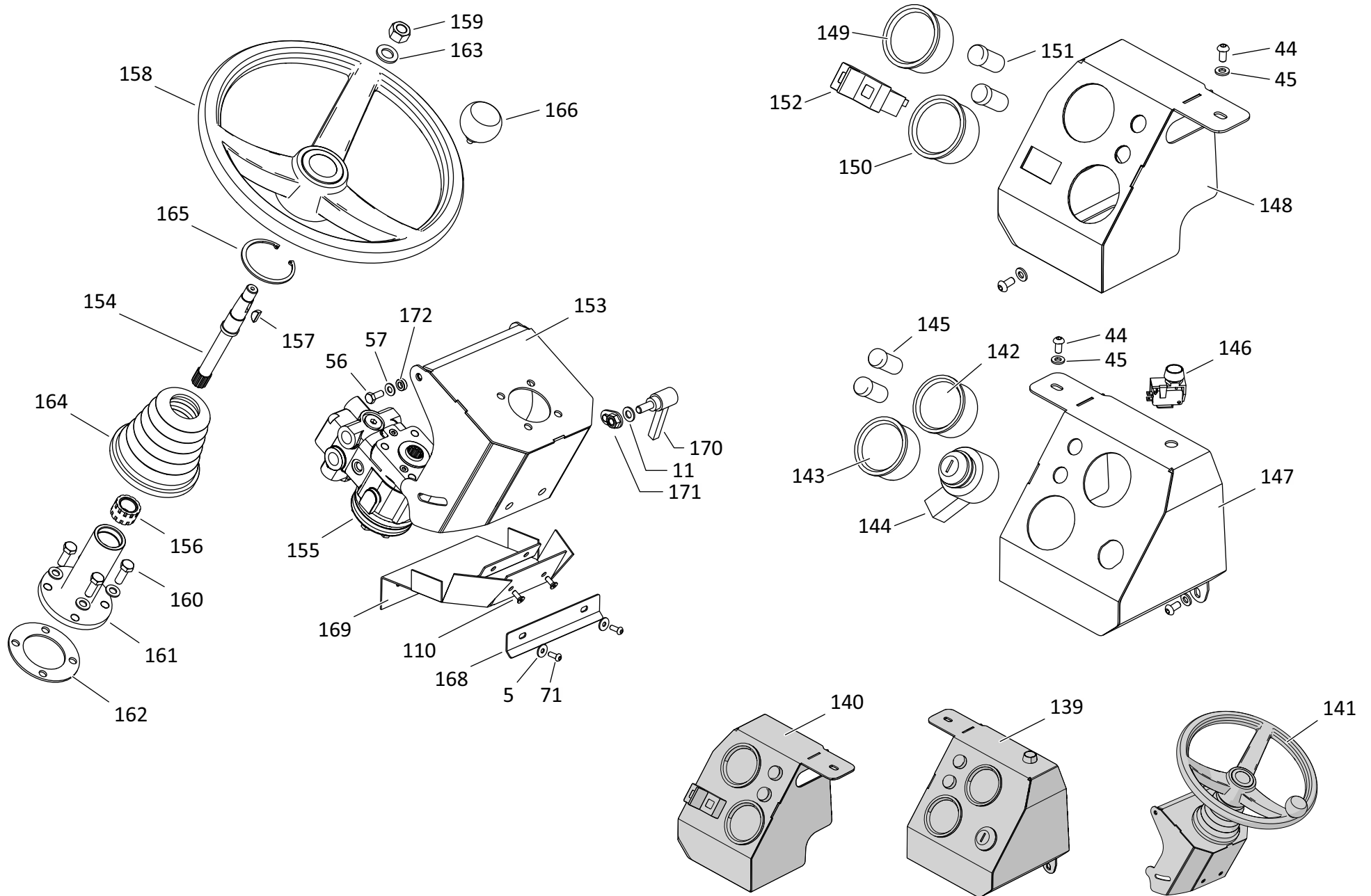
CABIN ASSEMBLY - AIR CONDITIONED



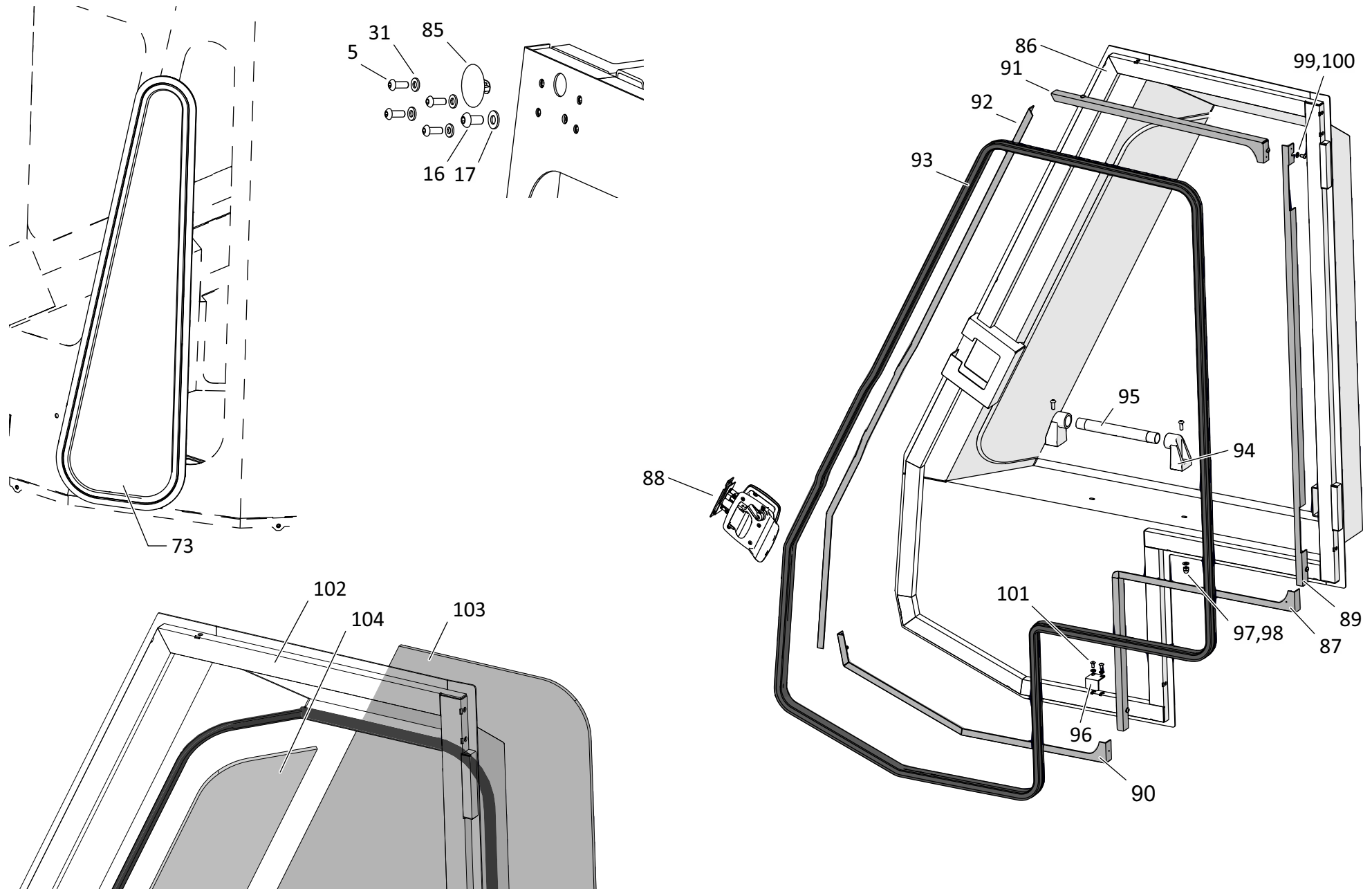
CABIN ASSEMBLY - AIR CONDITIONED



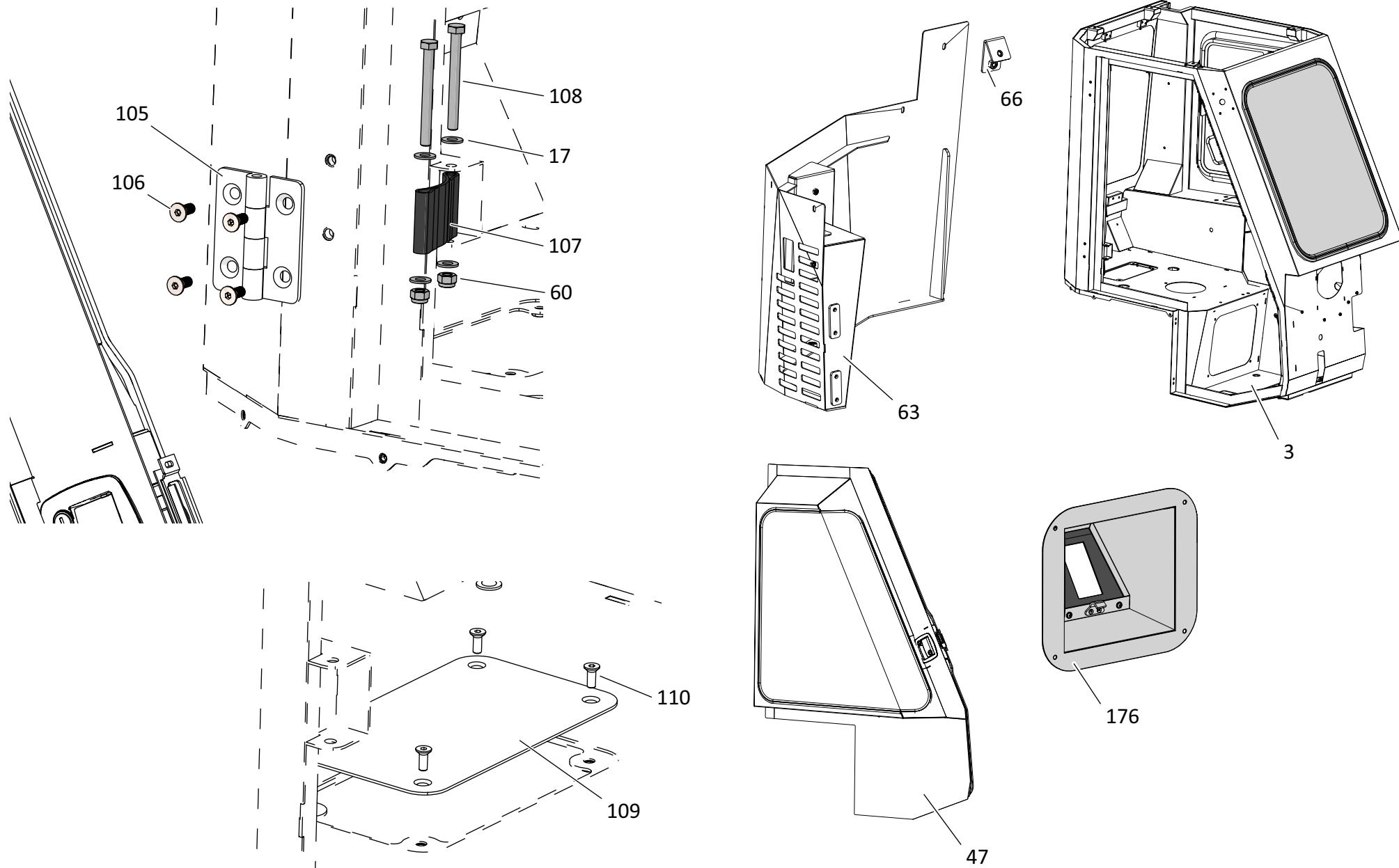
CABIN ASSEMBLY - AIR CONDITIONED



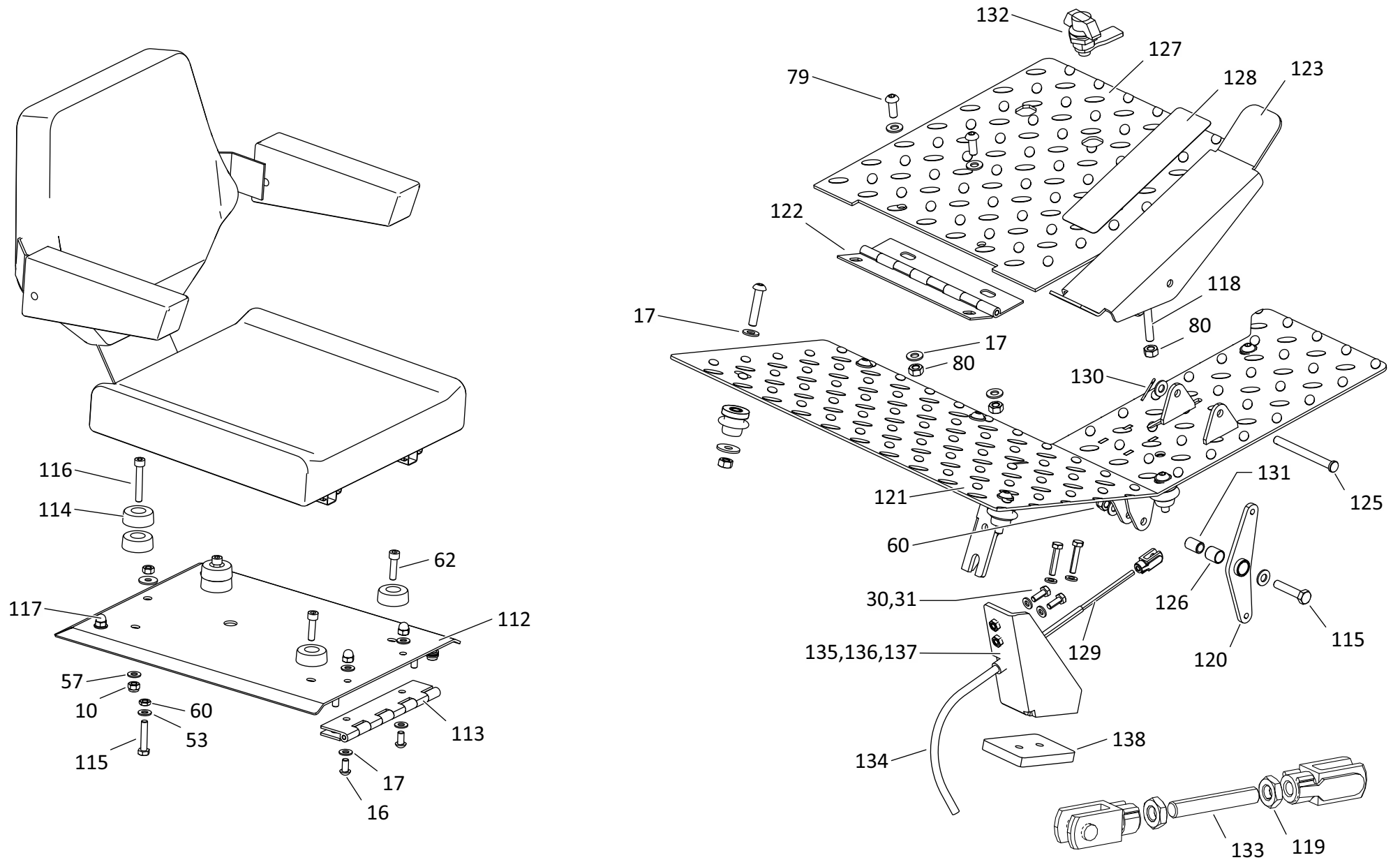
CABIN ASSEMBLY - AIR CONDITIONED



CABIN ASSEMBLY - AIR CONDITIONED

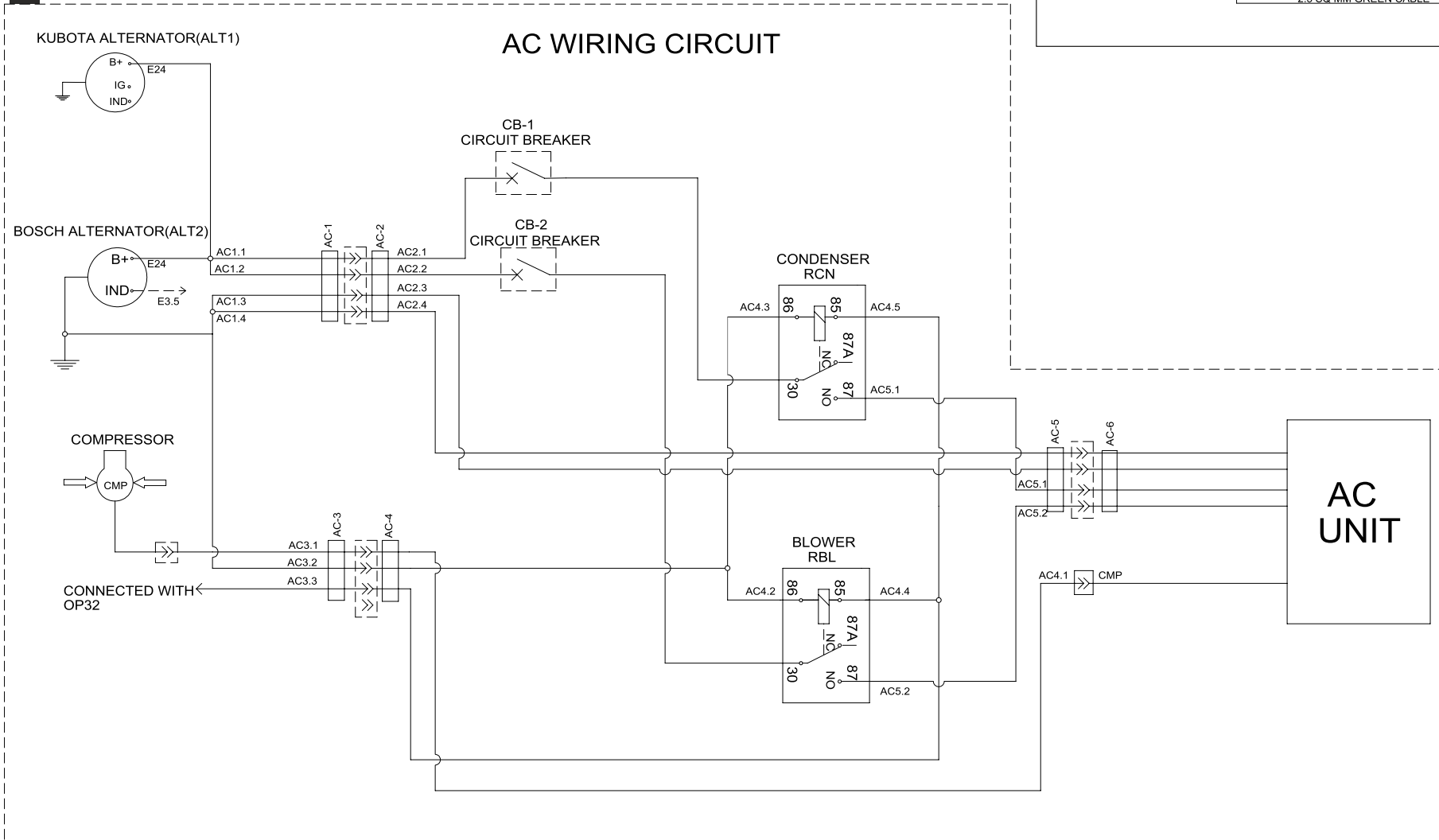


CABIN ASSEMBLY - AIR CONDITIONED

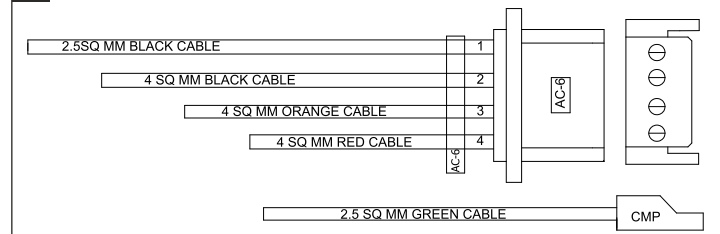


CABIN ASSEMBLY - AIR CONDITIONED

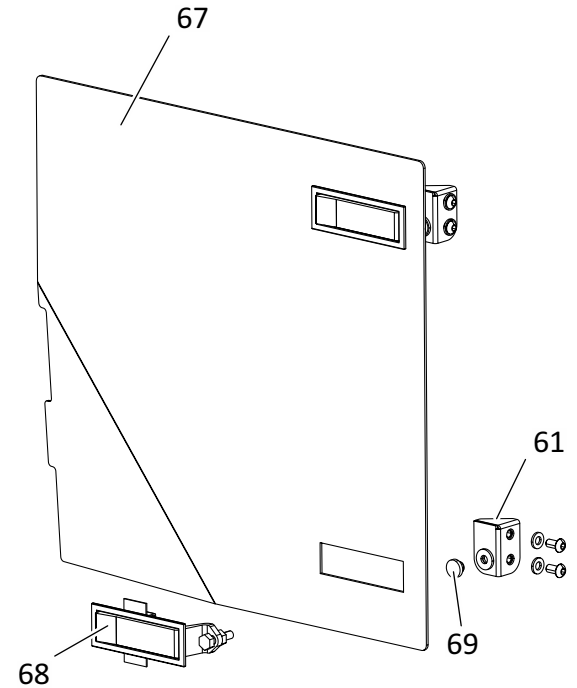
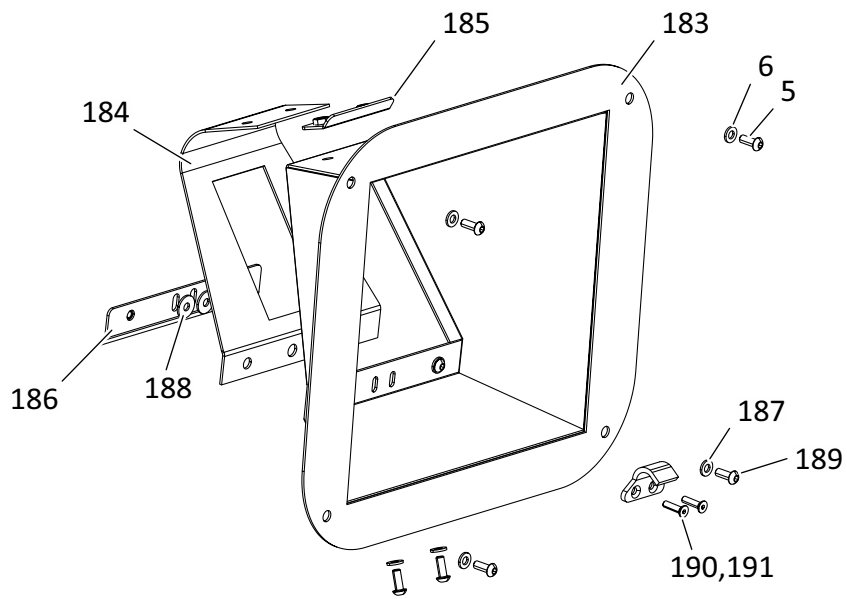
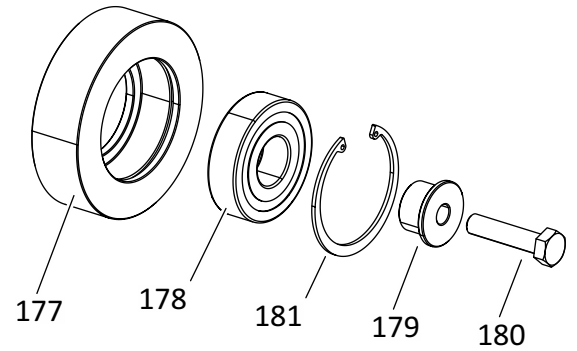
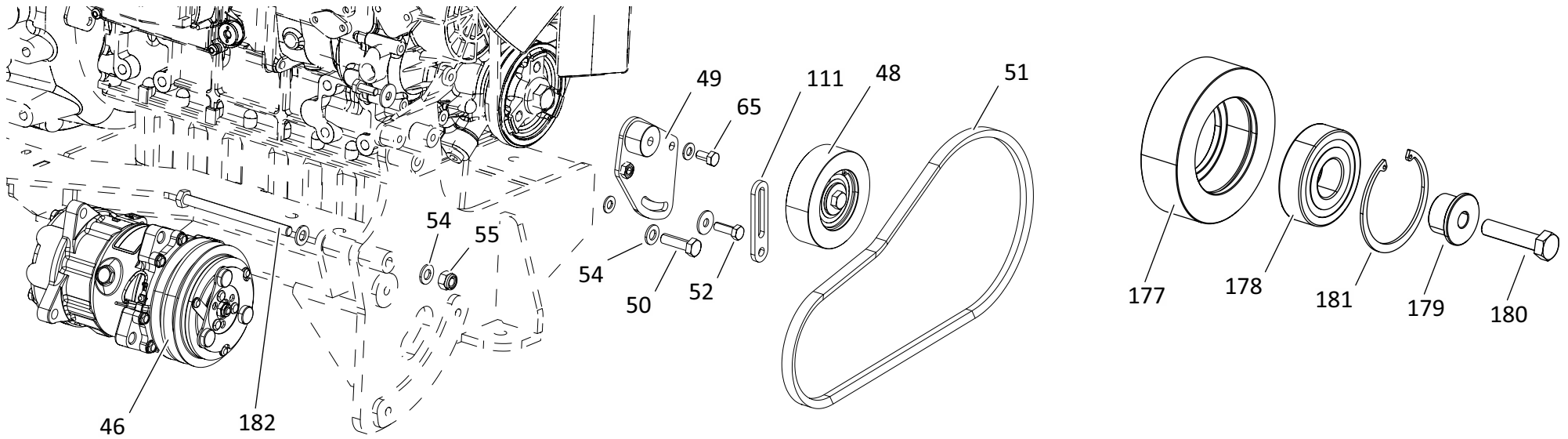
36



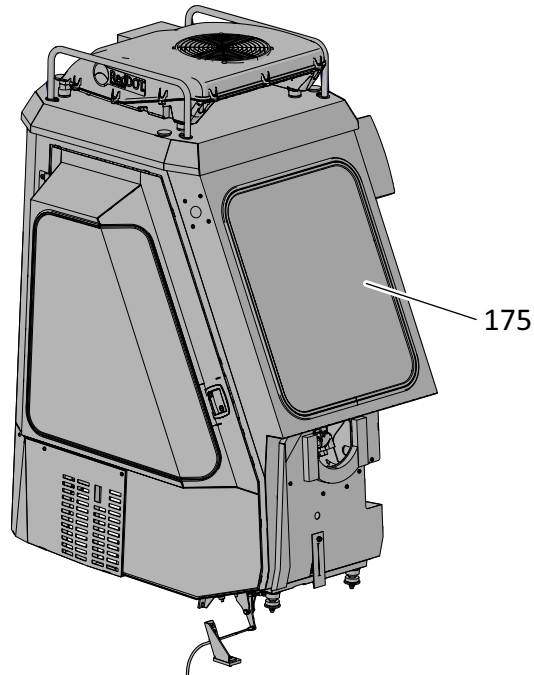
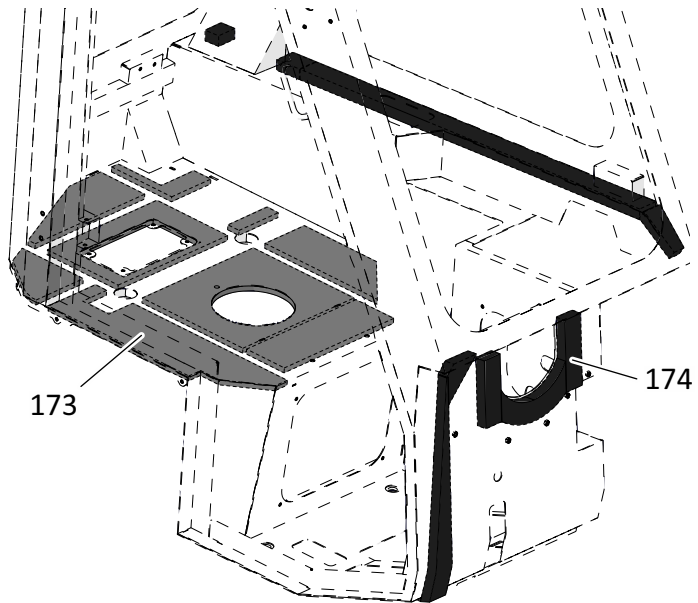
11



CABIN ASSEMBLY - AIR CONDITIONED



CABIN ASSEMBLY - AIR CONDITIONED



REF. NO.	PART NO	DESCRIPTION	QTY
1	558441797-00	TOP SPLIT UNIT - AC ASSY DUO	1
2	553443656-00	EPDM FOAM SET - CABIN	1
3	558441986-00	CABIN GLASS ASSY - DUO	1
4	558441703-00	SWTICH BOX ASSY-CABIN	1
5	552850902-00	SOC BUTTON HD CAP SCREW - STEEL - M6X16	29
6	552850201-00	WASHER - EN8 - 6.4X12.5X1.6	11
7	558441687-00	SWTICH BOX WMT-CABIN	1
8	553442444-00	SWITCH - PANEL PLUG	5
9	553442648-00	MOBILE CHARGER	1
10	558441686-00	LIFTING PIPE WMT - CABIN TOP UNIT HOLDER	2
11	558441660-00	CABLE ASSY - AC UNIT I/P ASSY	1
12	558441713-00	TOP SPLIT UNIT - AC WMT	1
13	553443508-00	COVER BOLT - CABIN TOP UNIT	4
14	553441334-00	SIDE COVER PLUG	1
15	553443509-00	HEX SOC HEAD CAP SCREW - M10X90	4
16	552850906-00	SOC BUTTON HD CAP SCREW - STEEL - M8X16	13
17	552850203-00	WASHER - EN8 - 8.4X17X1.6	27
18	553443507-00	MID COVER PLATE - AC TOP UNIT	1
19	553443506-00	REAR COVER PLATE - AC TOP UNIT	1
20	553443477-00	FRT COVER PLATE - AC TOP UNIT	1
21	553443705-00	5/8" AC COPPER TUBE ASSY	1
22	553443704-00	1/2" AC COPPER TUBE ASSY	1
23	553443677-00	5/8" AC HOSE NIPPLE	1
24	553443678-00	1/2" AC HOSE NIPPLE	1
25	553443683-00	O RING - FITTING SIZE #10	1
26	553443684-00	O RING - FITTING SIZE #8	1
27	553443685-00	5/8" HOSE JOIN ADAPTER	1
28	553443686-00	1/2" HOSE JOIN ADAPTER	1
29	553443682-00	CLAMP - AC COPPER TUBE	2
30	552850004-00	HEX HD SCREW - STEEL 8.8 - M6X16	4

CABIN ASSEMBLY - AIR CONDITIONED

REF. NO.	PART NO	DESCRIPTION	QTY
31	552850201-00	WASHER - EN8 - 6.4X12.5X1.6	31
32	552850801-00	HEX NUT - STEEL GR.8 - M6	2
33	553441263-00	CIRCUIT BREAKER	2
34	553441191-00	RELAY - NORMALLY OPEN	2
35	553443505-00	CABIN FUSE BOX COVER	1
36	558441691-00	AC UNIT WIRING KIT	1
37	552850921-00	SOC BUTTON HD CAP SCREW - STEEL - M5X10	2
38	552350008-00	WASHER - STEEL - 5.3X10X1.0	2
39	552850808-00	HEX NUT - STEEL GR.8 - M5	2
40	558441727-00	HOSE COVER WMT - CABIN	1
41	553443309-00	AC HOSE CLAMP	4
42	558441749-00	5/8" AC HOSE ASSY	1
43	558441750-00	3/4" AC HOSE ASSY	1
44	552850901-00	SOC BUTTON HD CAP SCREW - STEEL - M6X12	10
45	552850201-00	WASHER - EN8 - 6.4X12.5X1.6	10
46	553443221-00	AC COMPRESSOR	1
47	558441785-00	DOOR ASSY-CABIN	1
48	558441796-00	IDLER ASSY - DUO	1
49	558441765-00	IDLER MTG WMT - DUO	1
50	552850029-00	HEX HD SCREW - STEEL 8.8 - M10X35	1
51	553443864-00	COMPRESSOR BELT AX37 - 940Li	1
52	552850010-00	HEX HD SCREW - STEEL 8.8 - M8X25	2
53	552850204-00	WASHER - EN8 - 8.4X24X2.0	12
54	552850205-00	WASHER - EN8 - 10.5x20x2.0	4
55	552480012-00	HEX NYLOCK NUT - STEEL - M10	1
56	552850009-00	HEX HD SCREW - STEEL 8.8 - M8X20	5
57	552850203-00	WASHER - EN8 - 8.4X17X1.6	26
58	553442368-00	HEX HEAD SCREW - M10 X 1.25 - 25	1
59	552850012-00	HEX HD SCREW - STEEL 8.8 - M8X40	1
60	552480008-00	HEX NYLOCK NUT - STEEL GR.8 - M8	12

REF. NO.	PART NO	DESCRIPTION	QTY
61	558441780-00	LOCK BKT - LPG DOOR WMT	2
62	552850011-00	HEX HD SCREW - STEEL 8.8 - M8X30	3
63	553443886-00	OP HOOD HT - COVER - DUO	1
64	558441970-00	CABLE ASSY - DUO (CABIN)	1
65	552850008-00	HEX HD SCREW - STEEL 8.8 - M8X16	1
66	558441764-00	OP HOOD MTG BKT - WMT (DUO)	1
67	558441595-00	LPG CLY DOOR WMT	1
68	558443854-00	LOCK - LPG CYL DOOR	2
69	553440331-00	SB DAMPER - RUBBER	2
70	553443676-00	COVER - AC TOP PIPE	1
71	552850202-00	WASHER - EN8 - 6.4x18x2	5
72	558441985-00	CABIN WMT - DUO	1
73	553443487-00	GLASS - LH REAR - CABIN	1
74	553443485-00	GLASS - FRONT - CABIN	1
75	553443668-00	SIDE WINDOW ASSY - CABIN	1
76	553442800-00	REAR VIEW MIRROR - CONVEX	1
77	552850908-00	SOC BUTTON HD CAP SCREW - STEEL - M8X25	4
78	553443697-00	RUBBER - BRAKE PEDAL	1
79	552850907-00	SOC BUTTON HD CAP SCREW - STEEL - M8X20	5
80	552850802-00	HEX NUT - STEEL GR.8 - M8	6
81	552850053-00	HEX HD SCREW - STEEL 8.8 - M12X85	4
82	553443052-00	AVM PAD - PH 2A	4
83	553442366-00	WASHER - REBOUND	8
84	552480014-00	HEX NYLOCK NUT - STEEL - M12	4
85	553441334-00	SIDE COVER PLUG	2
86	558441741-00	DOOR GLASS ASSY	1
87	558441719-00	REAR BTM BEADING MTG WMT - DOOR SEAL	1
88	553443352-00	CABIN DOOR LOCK	1
89	553443580-00	PLATE REAR BEADING MTG - DOOR SEAL	1
90	553443581-00	FRONT BTM PLATE - DOOR SEAL	1

CABIN ASSEMBLY - AIR CONDITIONED

REF. NO.	PART NO	DESCRIPTION	QTY
91	553443582-00	TOP PLATE - CABIN DOOR SEAL	1
92	553443583-00	FRONT LOCK PLATE - DOOR SEAL	1
93	553443501-00	BEADING - CABIN DOOR	1
94	553440622-00	SUPPORT PILLAR - FILTER COVER HANDLE	2
95	553440623-00	FILTER COVER LIFT ROD	1
96	553443652-00	HOLDER PLT - DOOR BEADING	1
97	552300002-00	DOME CAP NUT - SS304 - M6	2
98	552850201-00	WASHER - EN8 - 6.4X12.5X1.6	2
99	552350008-00	WASHER - STEEL - 5.3X10X1.0	15
100	552850921-00	SOC BUTTON HD CAP SCREW - STEEL - M5X10	15
101	552850903-00	SOC BUTTON HD CAP SCREW - STEEL - M6X20	2
102	558441674-00	CABIN DOOR WMT	1
103	553443490-00	GLASS - REAR END - DOOR	1
104	553443491-00	GLASS - FRONT END - DOOR	1
105	553443383-00	HINGE - CABIN DOOR	2
106	552210013-00	HEX SOC CSK HD SCREW -STEEL - M8x25	8
107	553443651-00	DOOR STOPPER-FABRIC	1
108	552850014-00	HEX HD SCREW - STEEL 8.8 - M8X80	2
109	553443886-00	OP HOOD HT - COVER - DUO	1
110	552850502-00	HEX SOC CSK HD SCREW - STEEL - M6X16	6
111	553443847-00	TENSION ADJUSTER PLT - EXPORT	1
112	553440821-00	PLATE SEAT MTG - OP HOOD ASSY	1
113	553440822-00	HINGE - OP HOOD ASSY	1
114	553440823-00	BUSH - SEAT MOUNTING	8
115	552850012-00	HEX HD SCREW - STEEL 8.8 - M8X40	2
116	552850608-00	HEX SOC HEAD CAP SCREW-STEEL-M8X50	2
117	552300005-00	DOMECAP NUT - SS304 - M8	4
118	552850013-00	HEX HD SCREW - STEEL 8.8 - M8X50	1
119	552250003-00	HEX LOCK NUT - M6	2
120	558441066-00	CRANK WMT - PEDAL	1

REF. NO.	PART NO	DESCRIPTION	QTY
121	558441726-00	FLOOR BOARD WMT - CABIN	1
122	553440320-00	HINGE - BATTERY DOOR	1
123	558441067-00	FOOT PEDAL WMT	1
124	553442393-00	IGUS FORK - HST	3
125	553440073-00	CLEVIS PIN - THROTTLE PEDAL - 8 X 85	1
126	552610063-00	IGUS BEARING - IGLIDUR GSM 1214 - 15	1
127	553443614-00	DOOR - BATTERY - FLOOR BOARD ASSY	1
128	553100592-00	3M SAFETY WALK 610 S/W BLACK	1
129	553440071-00	CABLE - PUSH PULL - HST CONTROL	1
130	552330003-00	COTTER PIN - STEEL - 2.0x16	1
131	553440109-00	SLEEVE - CRANK	1
132	553441224-00	LOCK - BATTERY DOOR	1
133	553442325-00	STUD - ACCELERATOR CLEVIS	1
134	553442996-00	PVC (HST) - 1250 MM	1
135	55844 1497-00	BKT - HST CABLE HOLDER WMT	1
136	553443340-00	HOLDER - HST CABLE PEDAL END-E4	1
137	552850039-00	HEX HD SCREW - STEEL 8.8 - M6X30	2
138	553443693-00	SPACER - HST CABLE HOLDER	1
139	558441753-00	DASH BOARD ASSY RH - CABIN	1
140	558441725-00	DASH BOARD ASSY - CABIN	1
141	558441760-00	STEERING WHEEL ASSY - E4	1
142	553440312-00	GAUGE - AMPERE	1
143	553440309-00	GAUGE - FUEL	1
144	558441003-00	STARTER SWITCH KIT - KUBOTA	1
145	553441125-00	GREEN INDICATOR LIGHT	1
146	553100172-00	HORN SWITCH	1
147	558441752-00	DASHBOARD WMT RH - CABIN	1
148	558441724-00	DASHBOARD WMT - CABIN	1
149	553440311-00	GAUGE - COOLANT TEMP	1
150	553440310-00	GAUGE - LUBE OIL PRESSURE	1

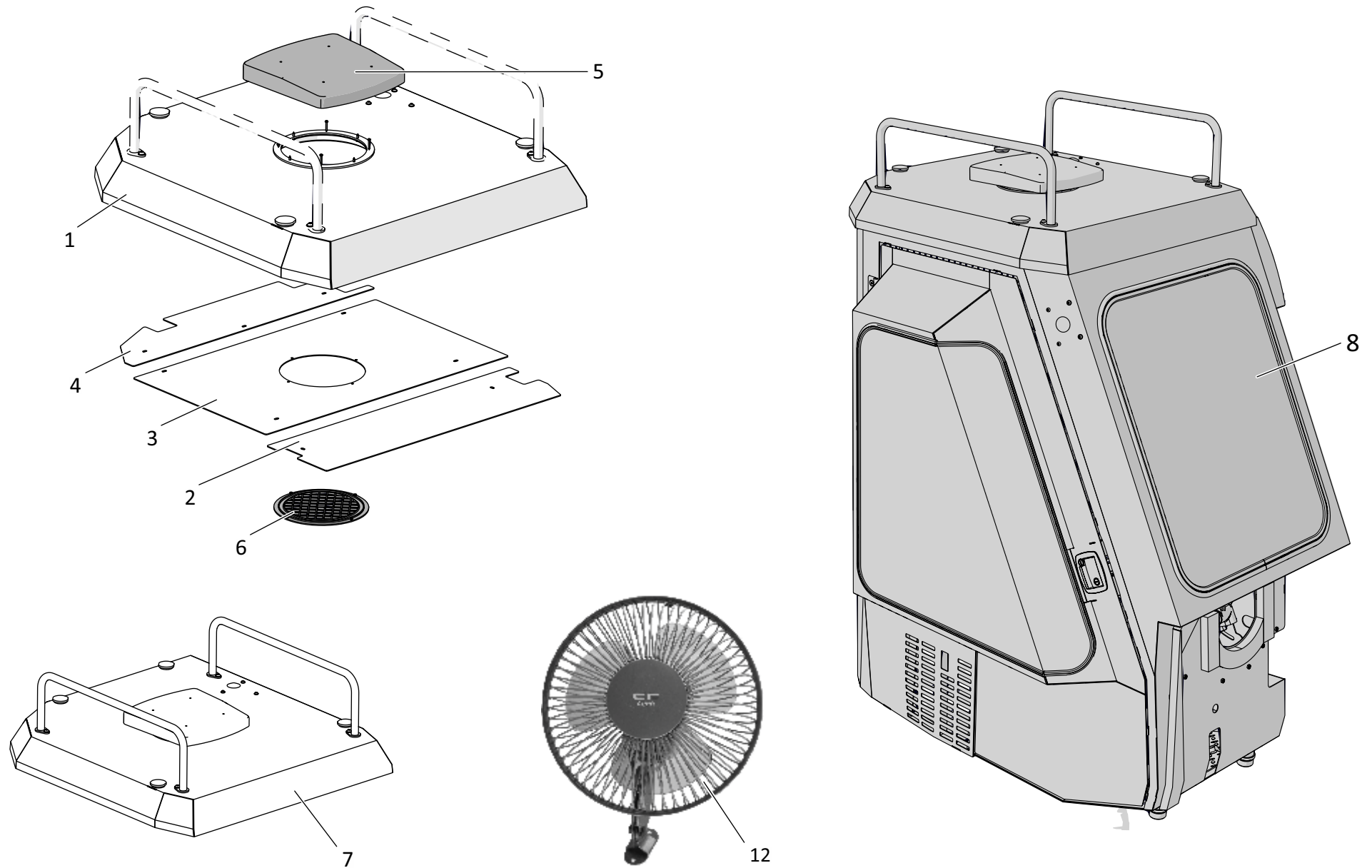
CABIN ASSEMBLY - AIR CONDITIONED

REF. NO.	PART NO	DESCRIPTION	QTY
151	553441126-00	RED INDICATOR LIGHT	2
152	553442078-00	SWITCH - INDICATOR	1
153	558441759-00	STEERING TILT WMT - E4	1
154	553440056-00	SHAFT - STEERING COLUMN	1
155	553440348-00	STEERING - CONTROL UNIT	1
156	553440505-00	MASTER JACKET BUSH	1
157	553100111-00	WOOD RUFF KEY STEERING WHEEL	1
158	553100112-00	STEERING WHEEL	1
159	552850805-00	HEX NUT - STEEL GR. 8 - M16	1
160	552850018-00	HEX HEAD SCREW STEEL - 8.8 - M10 X 30	4
161	558441041-00	COLUMN WMT - STEERING	1
162	553442193-00	RUBBER GASKET STEERING COLUMN	1
163	552350025-00	WASHER-STEEL-17X30X3	1
164	553442425-00	BELLOW - STEERING ASSY	1
165	552670143-00	CIRCLIP - B72	1
166	558441318-00	STEERING KNOB - ASSY	1
167	558441590-00	MTG PLATE WMT - ST ENCLOSURE RUBBER	1
168	553443702-00	BTM MTG PLATE - ST. ENCLOSURE RUBBER	1
169	553443680-00	CABIN STEERING - RUBBER ENCLOSURE	1
170	55344 0061-00	ADJUSTABLE LOCK - TILT	1
171	558440062-00	HOLDER ASSY - ADJ LOCK	1
172	553442194-00	BUSH - STEERING TILT HINGE	2
173	553443654-00	HEAT SHIELD FOAM SET - CABIN	1
174	553443655-00	FOAM SET - CABIN	1
175	558441995-00	AC CABIN ASSY COMPLETE - DUO	1
176	558441994-00	LPG CYL FRONT DOOR ASSY	1
177	553443850-00	IDLER PULLEY - EXPORT	1
178	552610082-00	DEEP GROOVE BALL BEARING - 6305-2RS1 - SKF	1
179	553443248-00	SLEEVE - IDLER ASSY	1
180	552850019-00	HEX HD SCREW - STEEL 8.8 - M10X45	1

REF. NO.	PART NO	DESCRIPTION	QTY
181	552670141-00	CIRCLIP - B62	1
182	552850020-00	HEX HD SCREW - STEEL 8.8 - M10X130	1
183	558441989-00	LPG CYL FRNT DOOR WMT	1
184	553443931-00	RUBBER FLAP - LPG STRAP LOCK	1
185	558441988-00	TOP MTG WMT - LPG RUB FLAP	1
186	558441987-00	BTM MTG WMT - LPG RUB FLAP	1
187	552850201-00	WASHER - EN8 - 6.4X12.5X1.6	4
188	552850202-00	WASHER - EN8 - 6.4x18x2	2
189	552850902-00	SOC BUTTON HD CAP SCREW - STEEL - M6X16	4
190	552220004-00	HEX SOC CSK HD SCREW - SS304 -M5 X 20	2
191	552850808-00	HEX NUT - STEEL GR.8 - M5	2

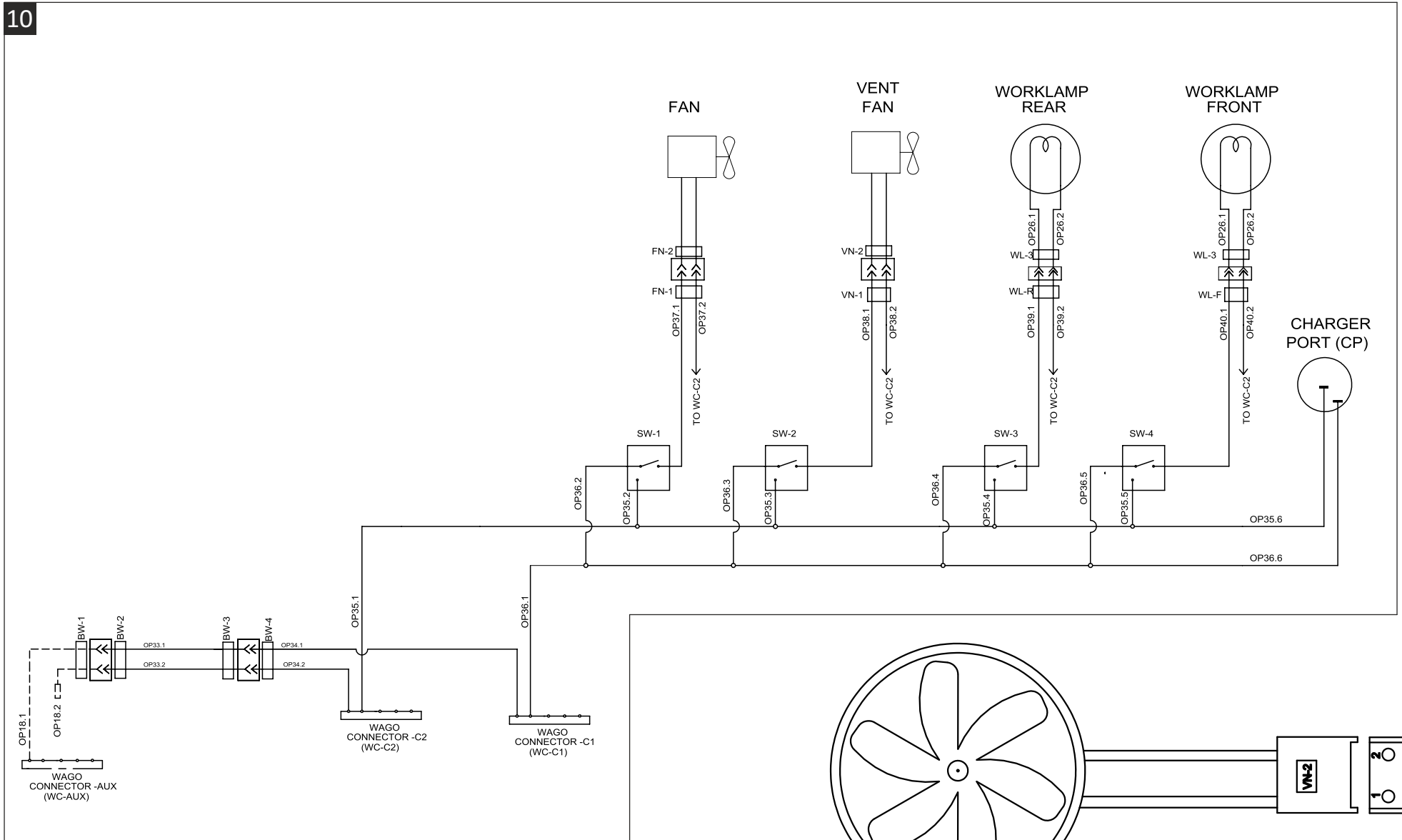
Note: Item No. 64 is not shown in the figure.

CABIN ASSEMBLY - NON-AIR CONDITIONED



CABIN ASSEMBLY - NON-AIR CONDITIONED

10



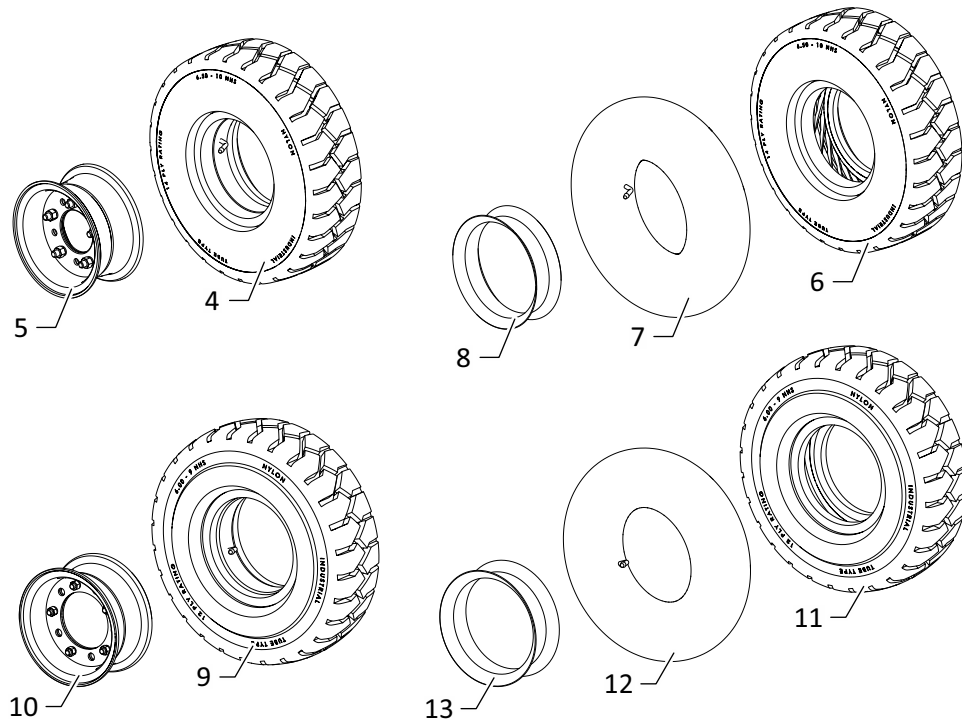
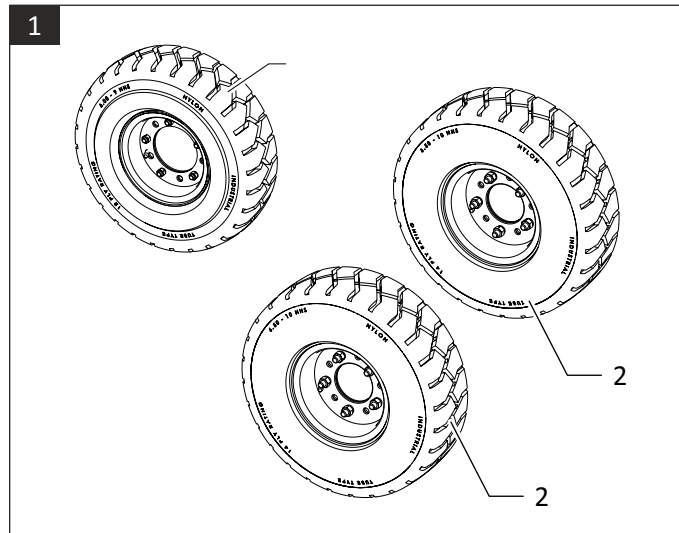
CABIN ASSEMBLY - NON-AIR CONDITIONED

REF. NO.	PART NO	DESCRIPTION	QTY
1	558441715-00	TOP SPLIT UNIT - NON AC WMT	1
2	553443635-00	FRT COVER PLATE - NON AC TOP UNIT	1
3	553443478-00	MID COVER PLATE - NON AC TOP UNIT	1
4	553443653-00	REAR COVER PLATE - NON AC TOP UNIT	1
5	553443504-00	ROOF VENTILATOR FAN	1
6	553443498-00	ROOF VENTILATOR GRILLE	1
7	558441716-00	TOP SPLIT UNIT - NON AC ASSY	1
8	558441717-00	NON AC - CABIN ASSEMBLY COMPLETE	1
9	558441704-00	CABIN FAN WIRING & CABLE ASSY KIT	1
10	558441692-00	CABLE ASSY - WORKLAMP/FAN	1
11	558441701-00	TOP FAN WIRING ASSY	1
12	558441702-00	CABIN FAN WIRING ASSY	1
13	553441228-00	SWITCH - HEAD LIGHT	2

Note: Item No. 9 & 13 are not shown in the figure.

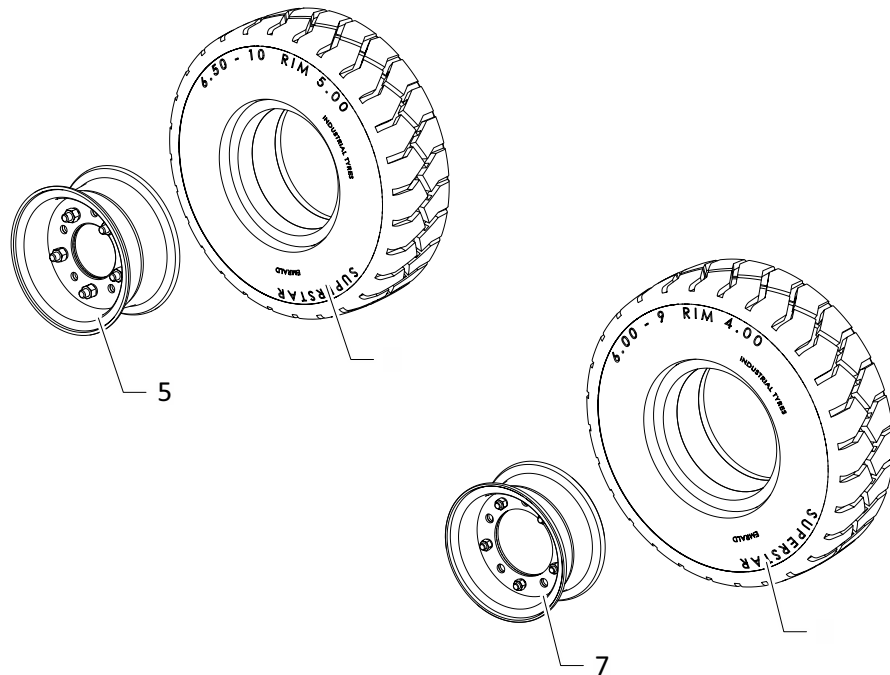
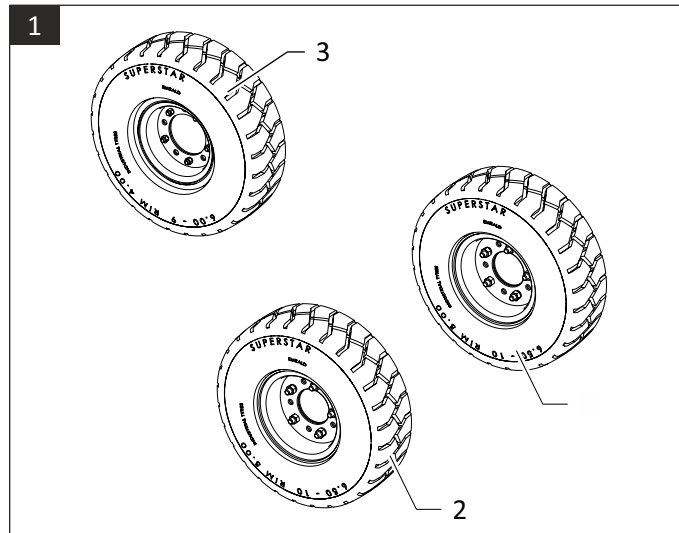
OPTIONAL ACCESSORIES

OPTIONAL ACCESSORIES - PNEUMATIC TYRE KIT



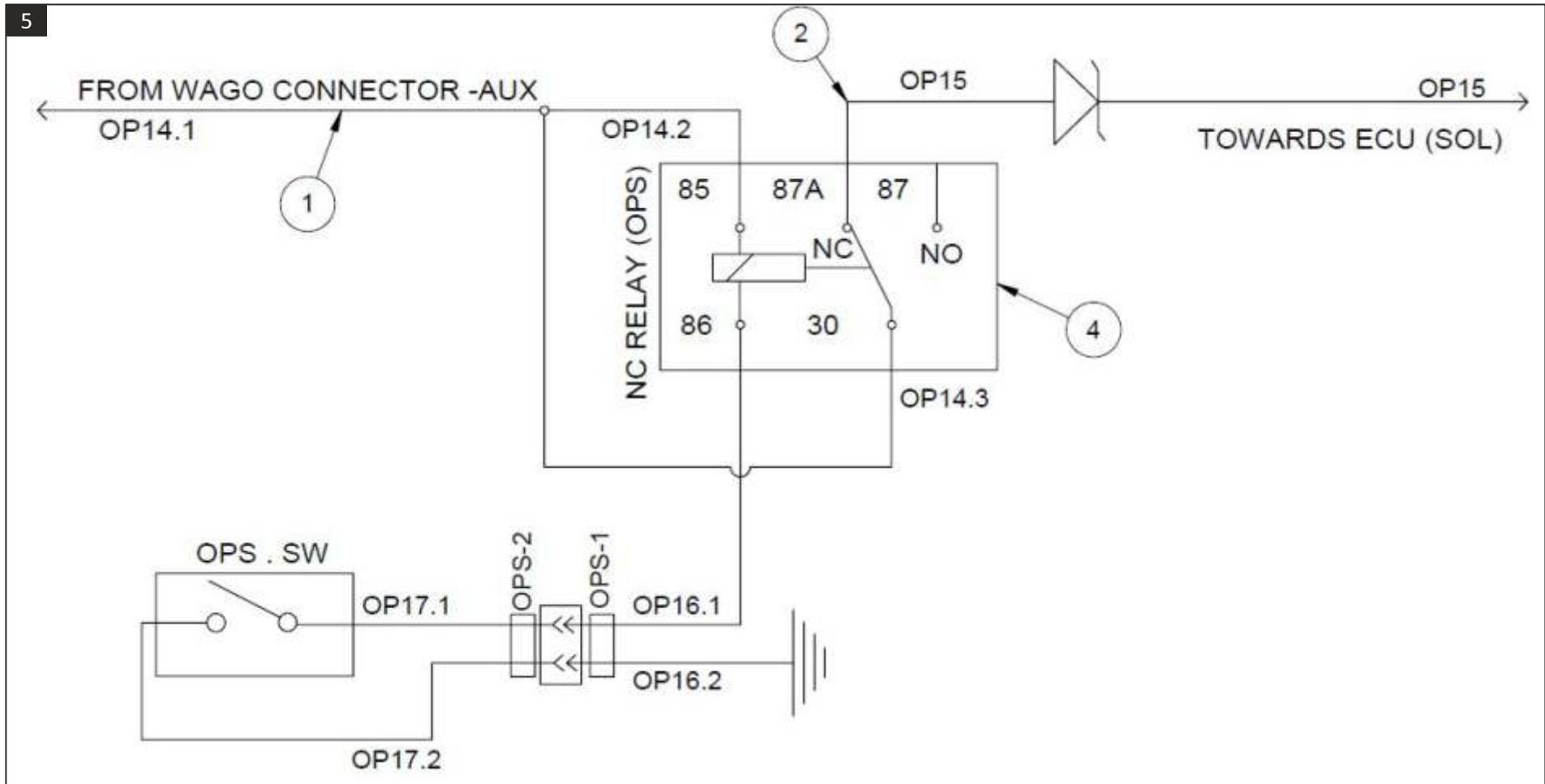
REF.NO.	PART NO	DESCRIPTION	QTY
1	558441353-00	PNEUMATIC TYRE KIT	1
2	558440011-00	WHEEL ASSY - FRONT	2
3	558440043-00	WHEEL ASSY - REAR	1
4	558440012-00	TYRE W/TUBE & FLAP 6.5-10/14PR (FRONT)	2
5	553440013-00	RIM ASSY - FRONT (5.00 X 10)	2
6	553440756-00	TYRE - PNEUMATIC 6.5 X 10	2
7	553440757-00	TUBE - TYRE 6.5 X 10	2
8	553440758-00	FLAP - TYRE 6.5 X 10	2
9	558440044-00	TYRE W/TUBE & FLAP - 6.00-9/12PR (REAR)	1
10	553440045-00	RIM ASSY - REAR (4.00 X 9)	1
11	553440759-00	TYRE - PNEUMATIC 6.0 X 9	1
12	553440760-00	TUBE - TYRE 6.0 X 9	1
13	553440761-00	FLAP - TYRE 6.0 X 9	1

OPTIONAL ACCESSORIES - SOLID TYRE KIT



REF.NO.	PART NO	DESCRIPTION	QTY
1	558441354-00	SOLID TYRE KIT	1
2	558441316-00	FRONT WHEEL ASSY - SOLID	2
3	558441317-00	REAR WHEEL ASSY - SOLID	1
4	553442069-00	TYRE - SOLID 6.5 X 10 (FRONT)	2
5	553440013-00	RIM ASSY - FRONT (5.00 X 10)	2
6	553442070-00	TYRE - SOLID 6.00 X 9 (REAR)	1
7	553440045-00	RIM ASSY - REAR (4.00 X 9)	1

OPTIONAL ACCESSORIES - SEAT SAFETY SWITCH KIT

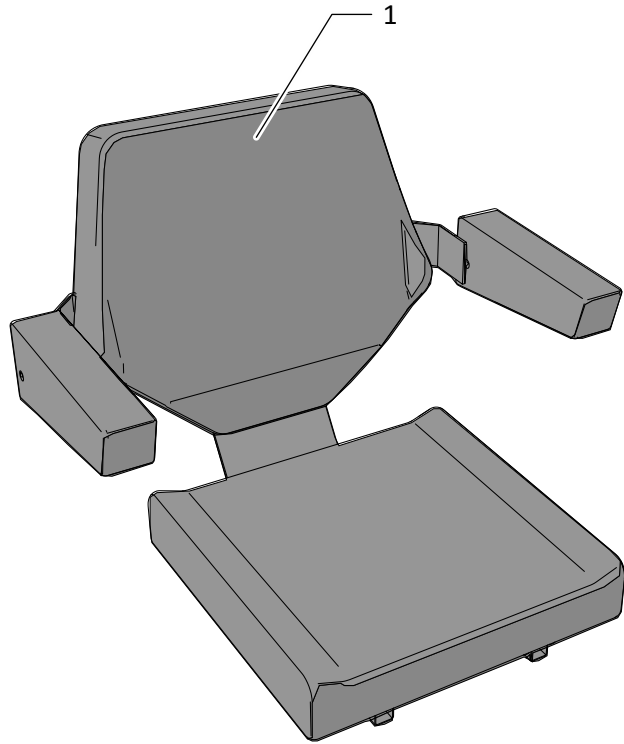


NOTE: Item No.3 is not shown in the figure.

NOTE: Item No. 3 - Operator seat is included in this kit.

REF.NO.	PART NO	DESCRIPTION	QTY
1	558441198-00	CABLE ASSY - WC-AUX TO R85, 30 OPS	1
2	558441199-00	CABLE ASSY - R87A OPS TO ECU (SOL)	1
3	558441320-00	OPERATOR SEAT ASSY - OPS	1
4	558441192-00	RELAY - NORMALLY CLOSE	1
5	558441197-00	SEAT SAFETY SWITCH KIT	1

OPTIONAL ACCESSORIES - SEAT STANDARD



REF.NO.	PART NO	DESCRIPTION	QTY
1	553440321-00	SEAT OPERATOR (STD)	1

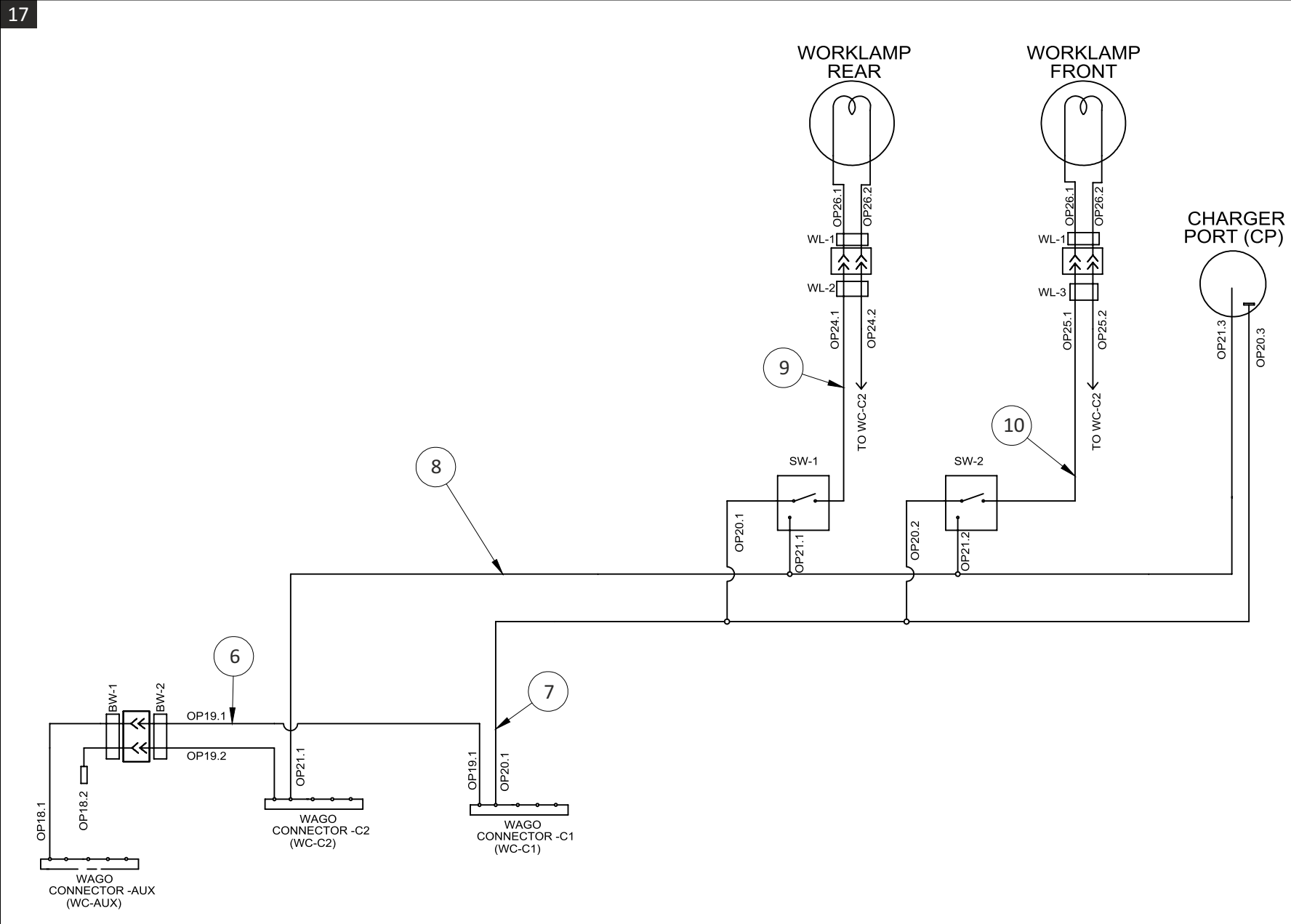
OPTIONAL ACCESSORIES - PRE CLEANER



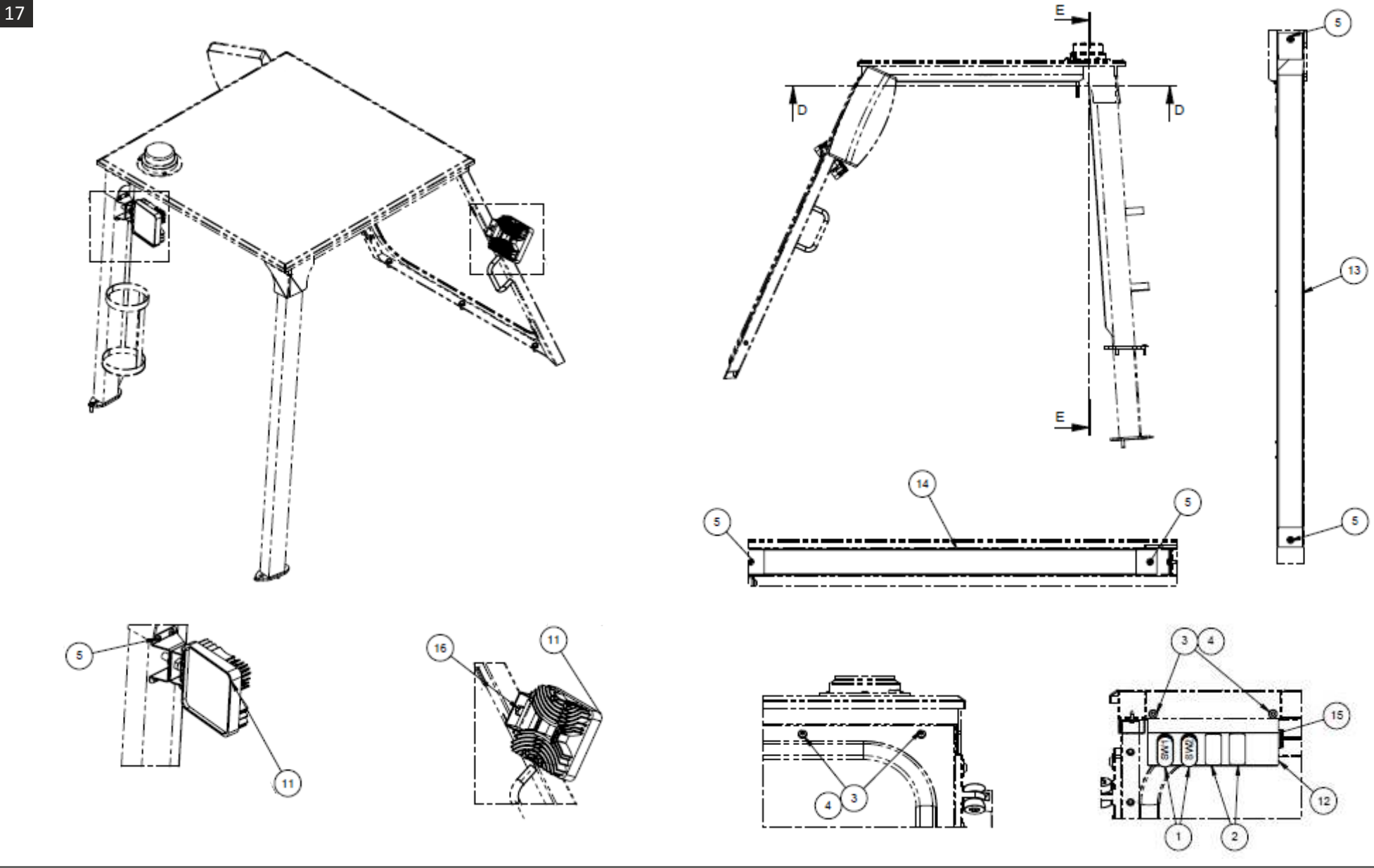
REF.NO.	PART NO	DESCRIPTION	QTY
1	553442075-00	PRE CLEANER - 90 CFM	1
2	553442897-00	PRE CLEANER - TOP SPIN	1

OPTIONAL ACCESSORIES - WORK LAMP KIT - OVERHEAD GUARD

17



OPTIONAL ACCESSORIES - WORK LAMP KIT - OVERHEAD GUARD

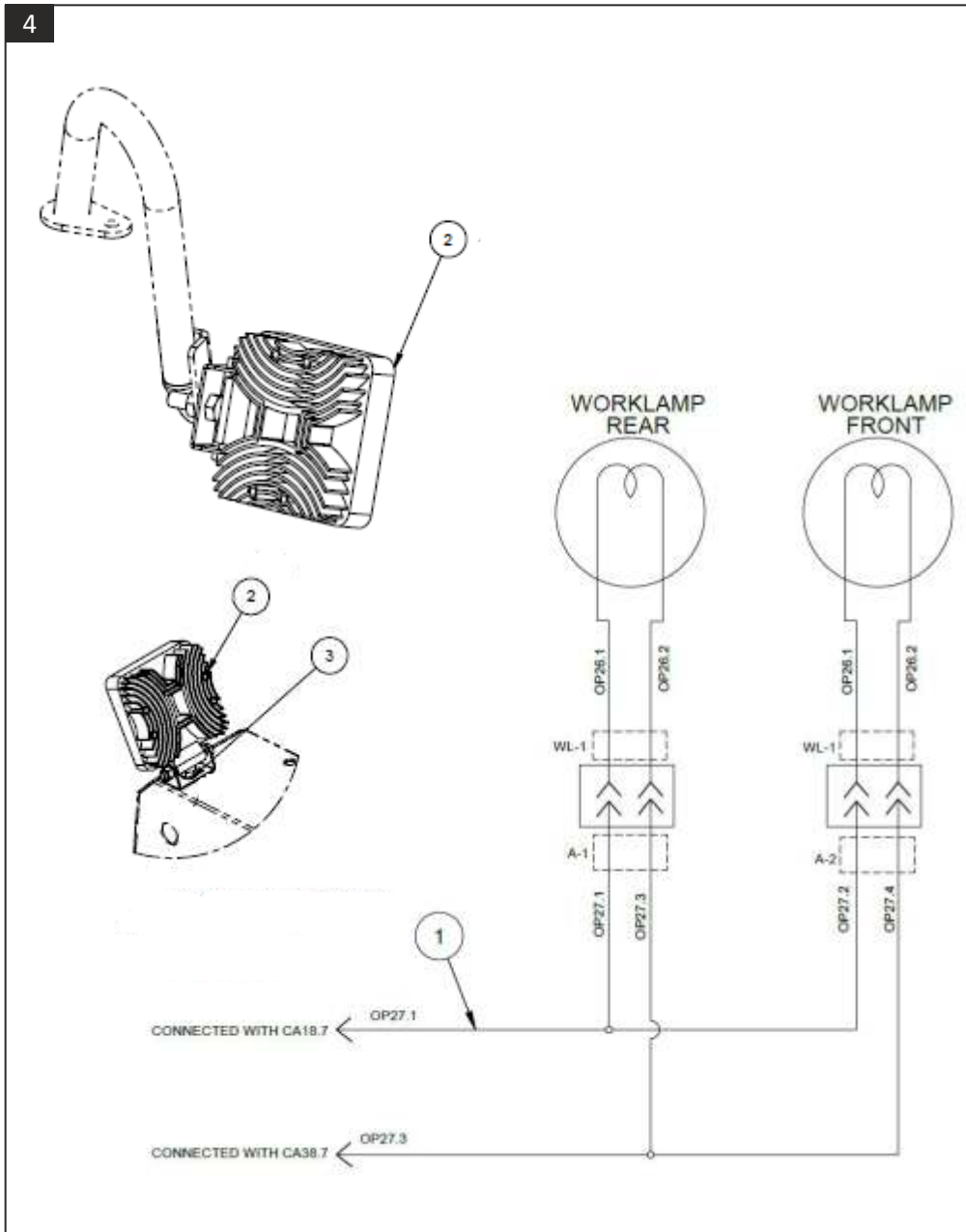


OPTIONAL ACCESSORIES - WORK LAMP KIT - OVERHEAD GUARD

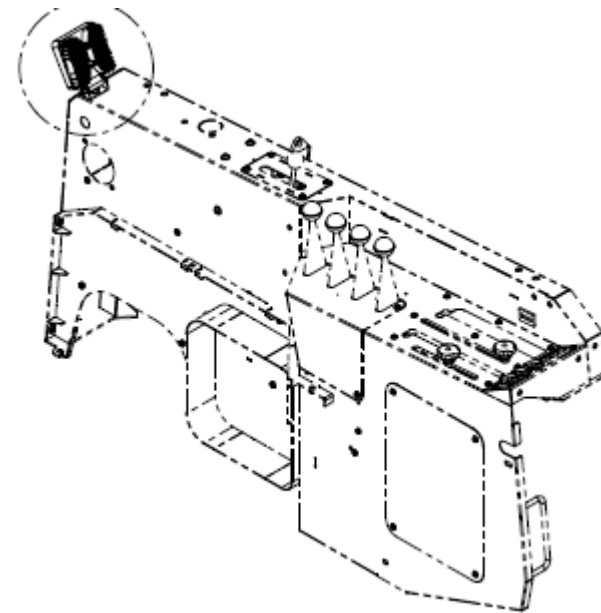
REF.NO.	PART NO	DESCRIPTION	QTY
1	553441228-00	SWITCH - HEAD LIGHT	2
2	553442444-00	SWITCH - PANEL PLUG	1
3	552850901-00	SOC BUTTON HD CAP SCREW STEEL-M6X12	4
4	552850201-00	WASHER-EN8 - 6.5X12.5X1.6	4
5	552280005-00	CRPH SELF TAPPING SCREW-SS304 - 4.8X13	8
6	558441213-00	CABLE ASSY - CONNECTOR BW-2 TO WC-C1,C2	1
7	558441214-00	CABLE ASSY - WC-C1 TO SWITCH +VE	1
8	558441207-00	CABLE ASSY - WC-C2 TO SWITCH -VE	1
9	558441210-00	CABLE ASSY - SW-1 TO CONNECTOR WL-2	1
10	558441211-00	CABLE ASSY - SW-2 TO CONNECTOR WL-3	1
11	558441212-00	WORKLAMP CONNECTOR ASSY	2
12	558441255-00	SWITCH PANEL BOX WMT - OHG	1
13	558441257-00	TUBE WMT VR - ROUTING	1
14	558441256-00	TOP TUBE WMT - WIRE ROUTING	1
15	553442648-00	MOBILE CHARGER	1
16	552850028-00	HEX HEAD SCREW STEEL - 8.8 M8 X 35	1
17	558441203-00	WORKLAMP KIT - OHG	1

OPTIONAL ACCESSORIES - WORK LAMP KIT - REGULAR

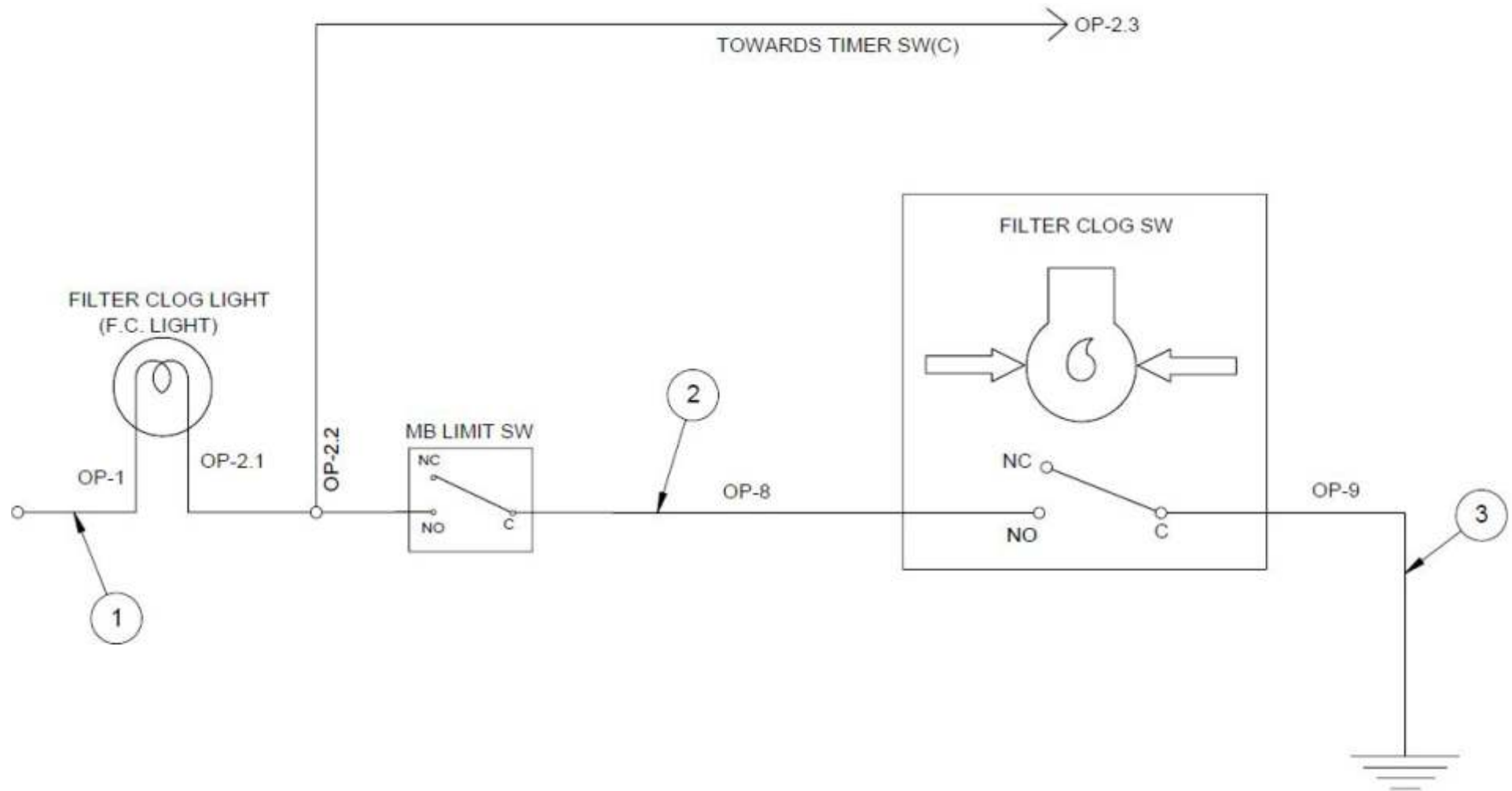
4



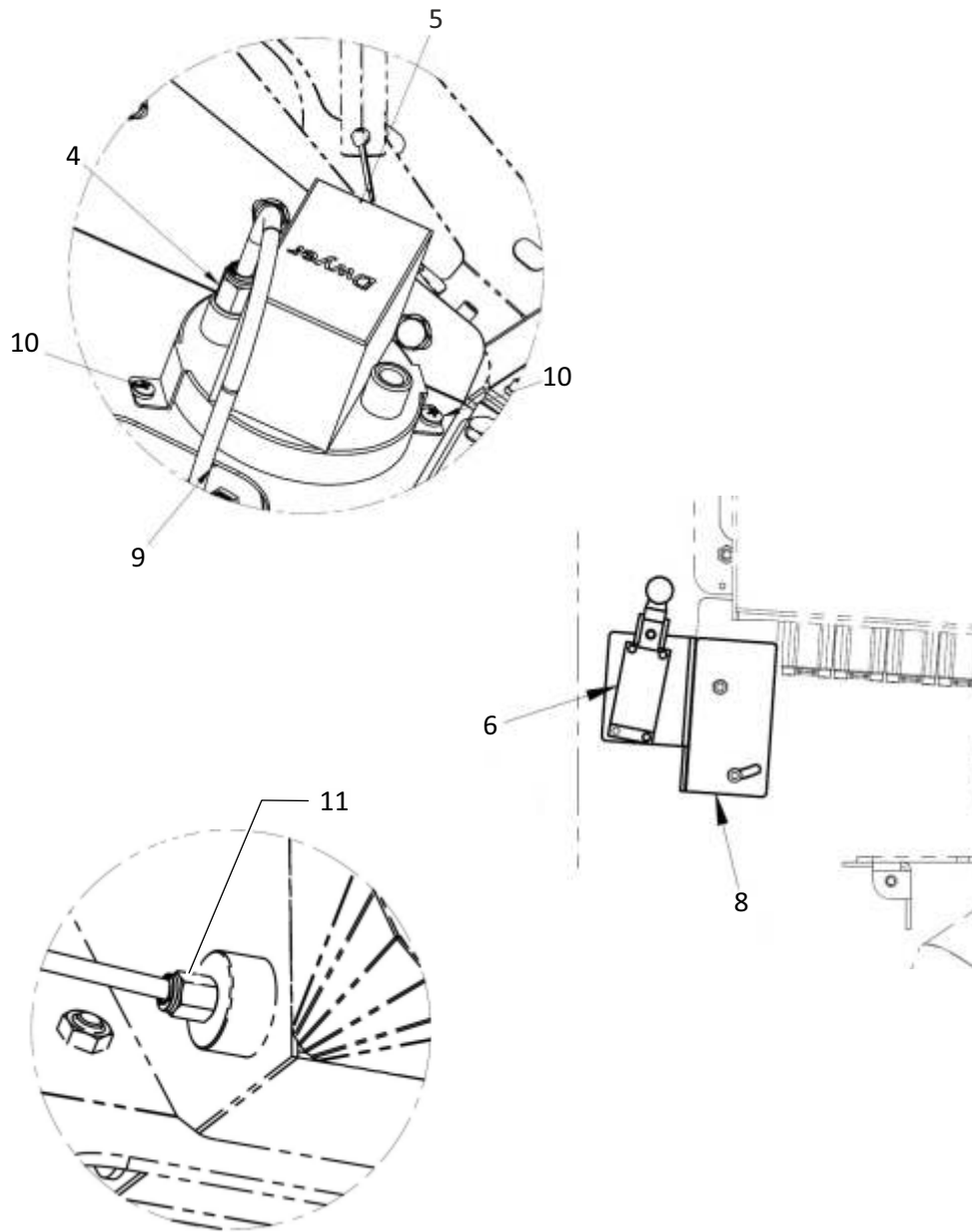
REF.NO.	PART NO	DESCRIPTION	QTY
1	558441194-00	CABLE ASSY - BW-3 TO LAMP IMPUTS	1
2	558441212-00	WORKLAMP CONNECTOR ASSY	2
3	552850203-00	WASHER-EN8 - 8.4X17X1.6	1
4	558441193-00	WORKLAMP KIT (REGULAR)	1



OPTIONAL ACCESSORIES - FILTER CLOG INDICATOR KIT

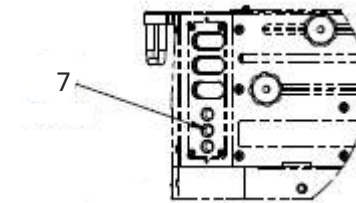


OPTIONAL ACCESSORIES - FILTER CLOG INDICATOR KIT



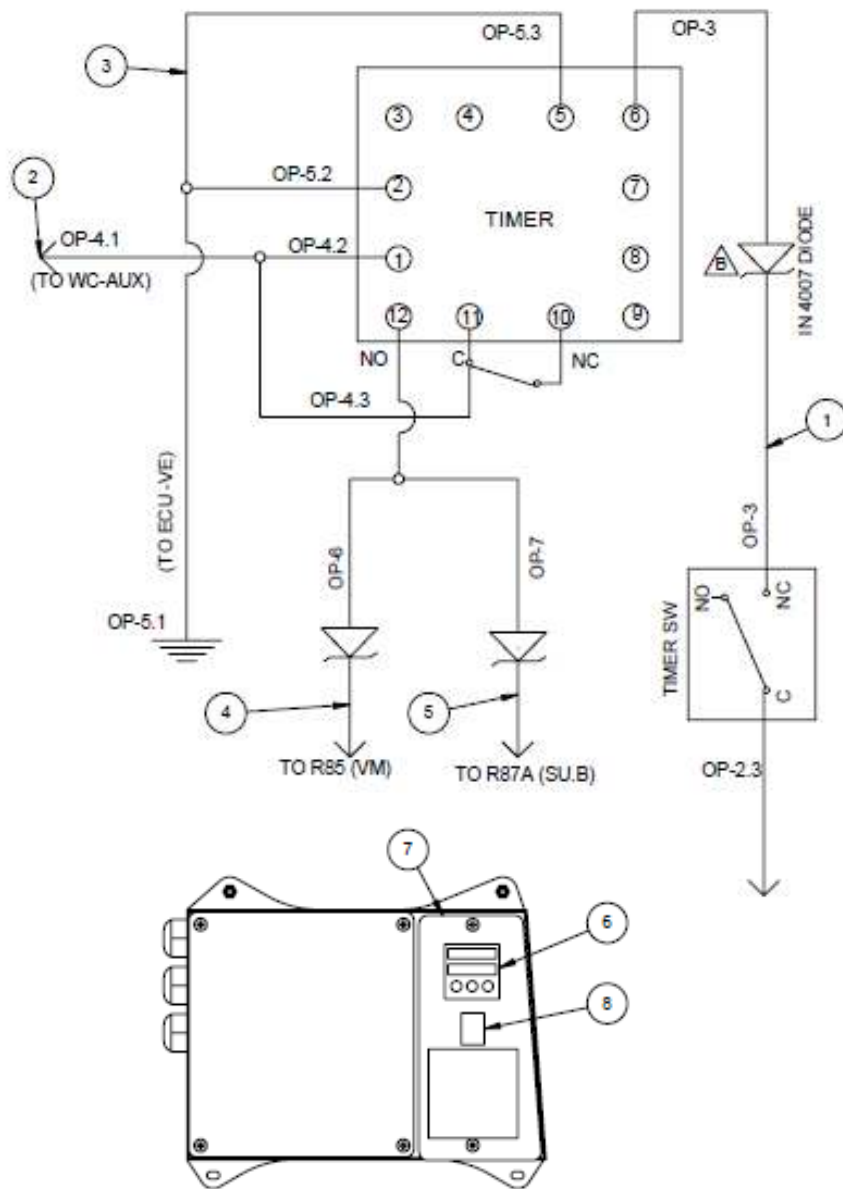
REF.NO.	PART NO	DESCRIPTION	QTY
1	558441181-00	CABLE ASSY - FILTER CLOG LIGHT I/P	1
2	558441188-00	CABLE ASSY - MB LIMIT SW TO FILTER CLOG SW	1
3	558441189-00	CABLE ASSY - FILTER CLOG SW GROUNDING	1
4	553442714-00	MALE CONNECTOR - FILTER CLOG PR SWITCH	1
5	553442076-00	SWITCH - VACUUM PRESSURE	1
6	553441222-00	LIMIT SWITCH	1
7	553441126-00	INDICATOR LIGHT - RED	1
8	553442316-00	BKT - MB LIMIT SWITCH MTG	1
9	553442716-00	PNEUMATIC HOSE PU6 - FILTER CLOG SWITCH	1
10	552130004-00	CRPAN HEAD SCREW-STEEL - M4X10	2
11	553442715-00	MALE CONNECTOR - VB DUCT	1
12	553442442-00	FLASHER 12V	1
13	558441179-00	FILTER CLOG INDICATOR KIT	1

NOTE: Item No.12 & 13 are not shown in the figure.



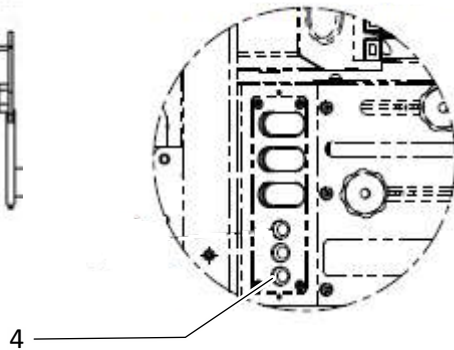
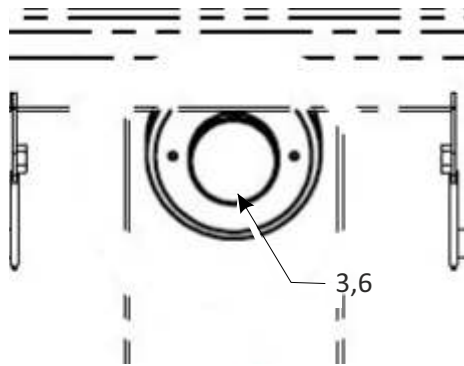
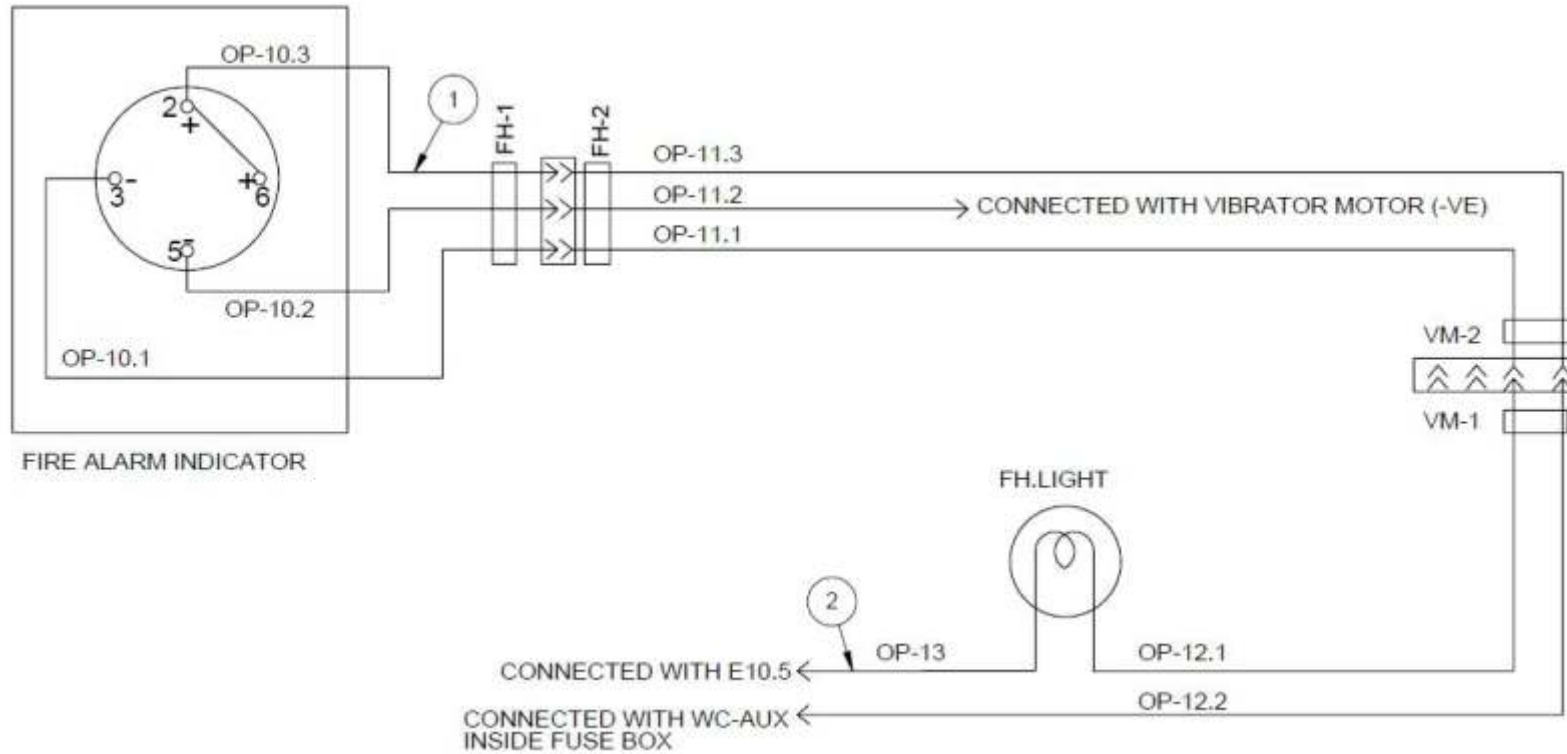
OPTIONAL ACCESSORIES - FILTER VIBRATOR TIMER KIT

9



REF.NO.	PART NO	DESCRIPTION	QTY
1	558441183-00	CABLE ASSY - TIMER SW TO TIMER (6)	1
2	558441184-00	CABLE ASSY - WC-AUX TO TIMER (+VE)	1
3	558441185-00	CABLE ASSY - ECU(-VE) TO TIMER (-VE)	1
4	558441186-00	CABLE ASSY - TIMER (12) TO R85VM	1
5	558441187-00	CABLE ASSY - TIMER(12) TO R85 SU.B	1
6	553441213-00	TIMER	1
7	553442248-00	TIMER MTG PLATE	1
8	553461195-00	ROCKER SWITCH	1
9	558441180-00	FILTER VIBRATOR TIMER KIT	1

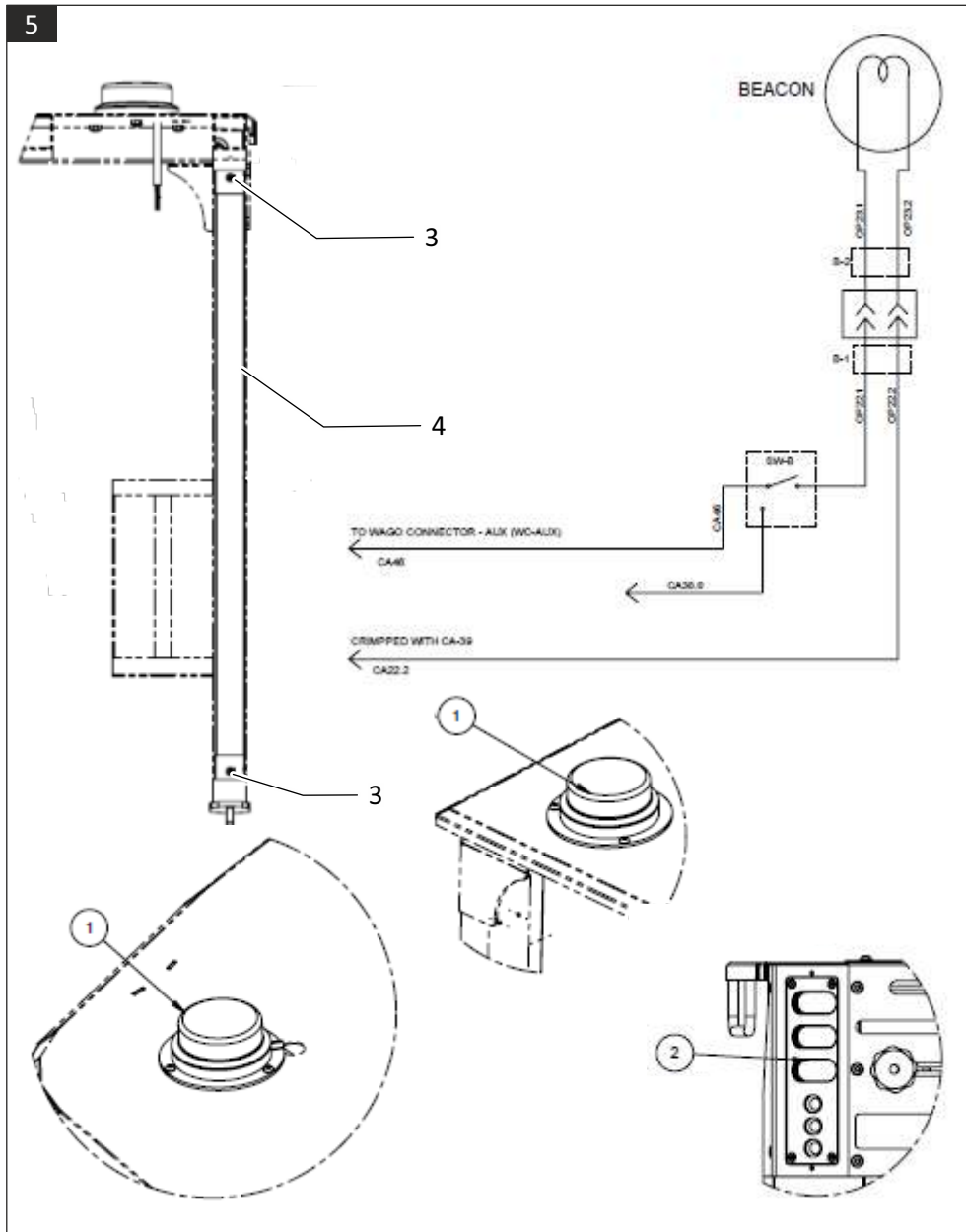
OPTIONAL ACCESSORIES - FIRE IN HOPPER INDICATOR KIT



REF.NO.	PART NO	DESCRIPTION	QTY
1	558441191-00	CABLE ASSY - FIRE ALARM INDICATOR MALE CONNECTOR	1
2	558441192-00	CABLE ASSY - FIRE INDICATION LAMP TO WE-OP	1
3	553442786-00	FIRE ALARM INDICATOR	1
4	553441126-00	INDICATOR LIGHT - RED	1
5	553442442-00	FLASHER 12V	1
6	553100403-00	WASHER 6.4 X 16 X 5	2
7	558441190-00	FIRE IN HOPPER INDICATOR KIT	1

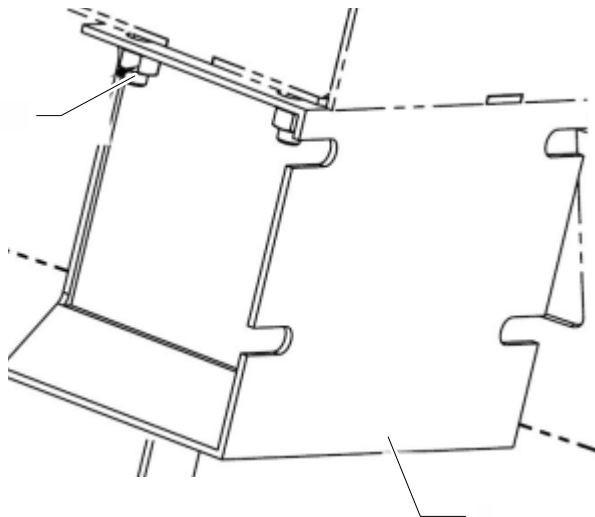
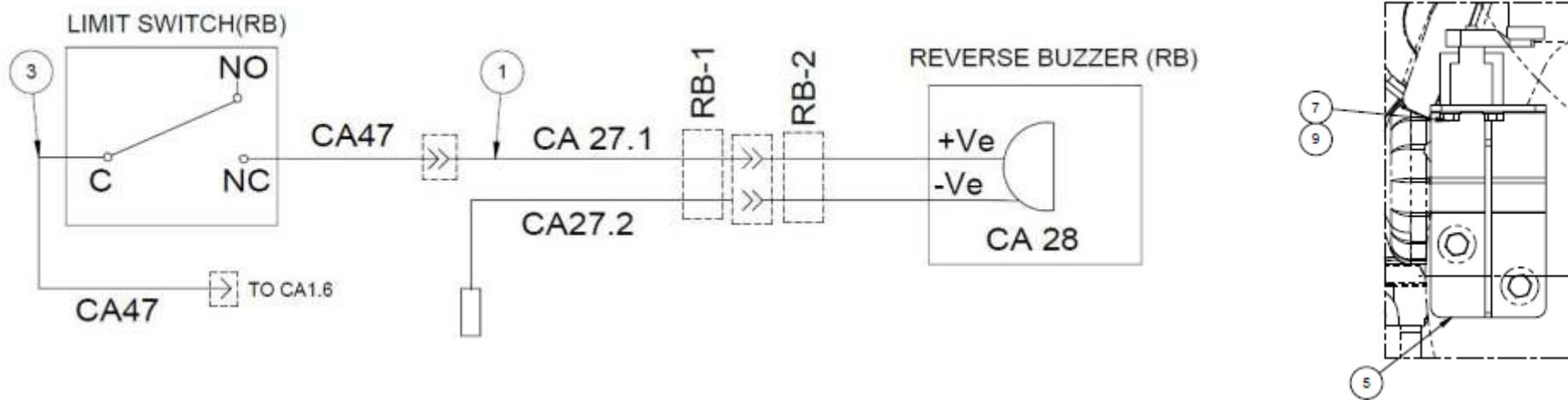
NOTE: Item No.5 & 7 are not shown in the figure.

OPTIONAL ACCESSORIES - BEACON LIGHT KIT



REF.NO.	PART NO	DESCRIPTION	QTY
1	558441209-00	BEACON CONNECTOR ASSY	1
2	553441228-00	SWITCH - HEAD LIGHT	1
3	552280005-00	CRPH SELF TAPPING SCREW-SS 304- 4.8X13	2
4	558441364-00	VERTICAL ROUTING CLAMP - WMT	1
5	558441220-00	BEACON LIGHT KIT	1

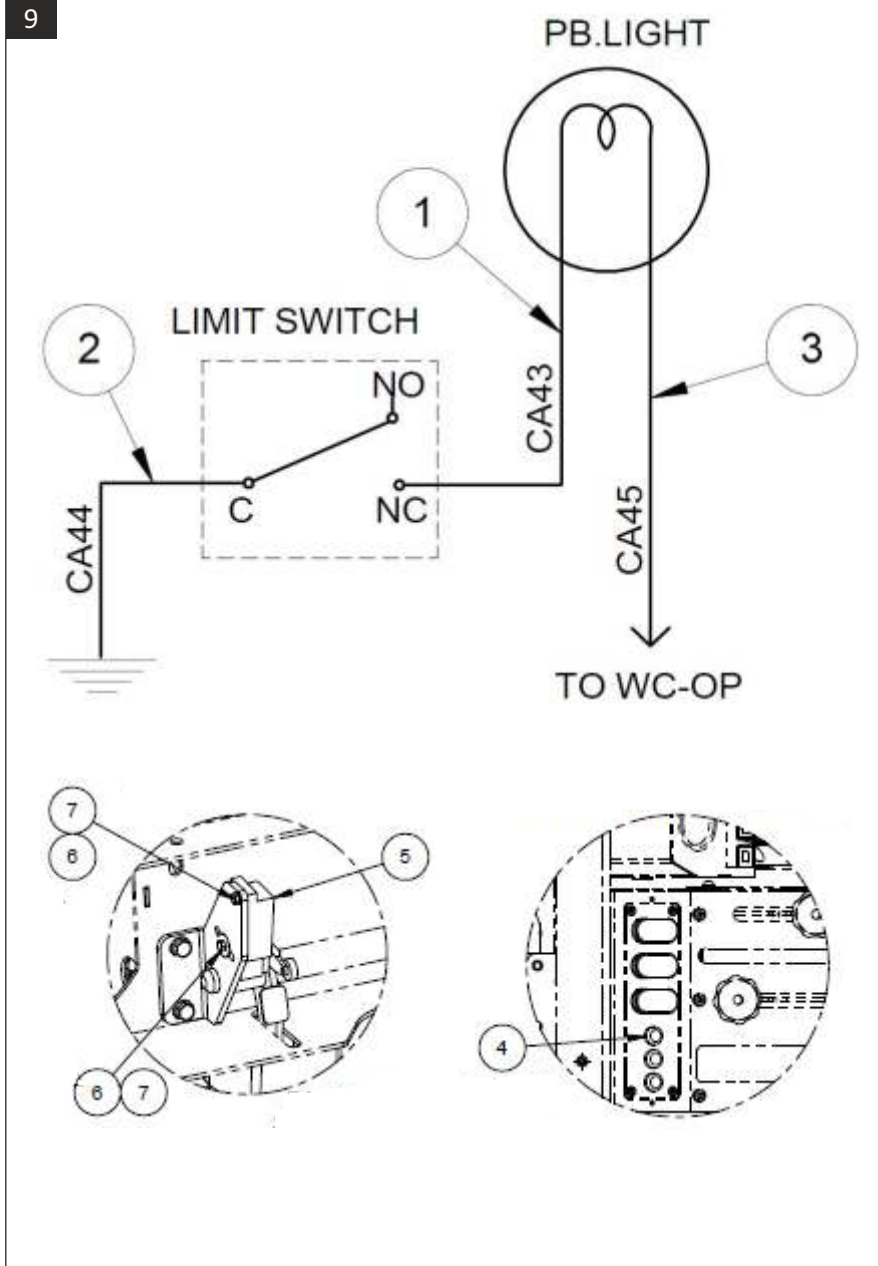
OPTIONAL ACCESSORIES - REVERSE ALARM KIT



REF.NO.	PART NO	DESCRIPTION	QTY
1	558441160-00	CA-27 (REVERSE BUZZER MALE CONNECTOR ASSY)	1
2	558441161-00	CA-28 (REVERSE BUZZER FEMALE CONNECTOR ASSY)	1
3	558441217-00	CABLE ASSY - LIMIT SWITCH I/P	2
4	553441222-00	LIMIT SWITCH	1
5	558441013-00	LIMIT SWITCH BKT HST-WMT	1
6	552850801-00	HEX NUT-STEEL - M6	4
7	552850002-00	HEX HEAD SCREW - STEEL - M5X12	2
8	552850201-00	WASHER-EN8-6.4X12.5X1.6	4
9	552350008-00	WASHER-STEEL-5.3X10X1.0	2
10	558441216-00	REVERSE ALARM KIT	1

NOTE: Item No.4 & 10 are not shown in the figure.

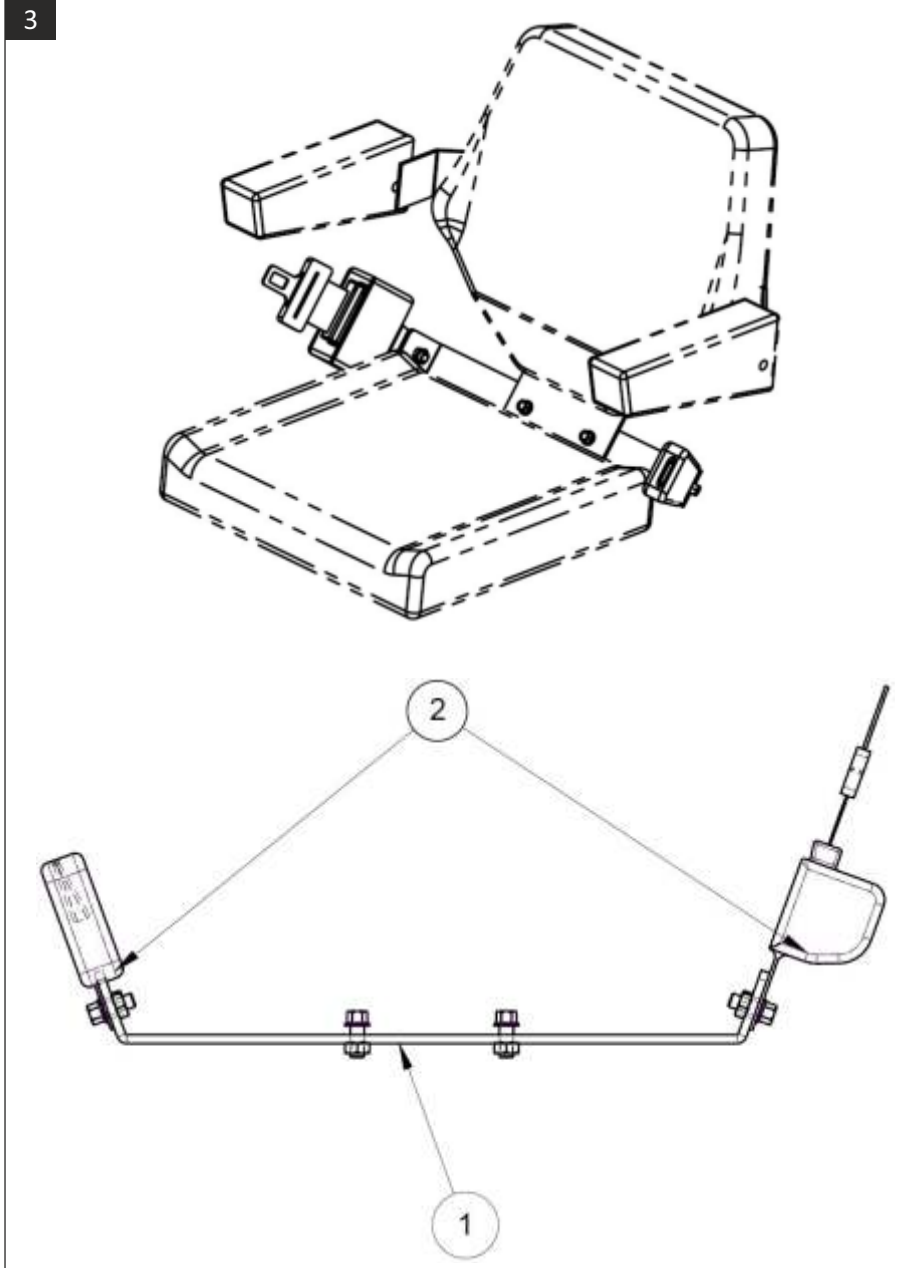
OPTIONAL ACCESSORIES - PARKING BRAKE INDICATOR KIT



REF.NO.	PART NO	DESCRIPTION	QTY
1	558441176-00	CA-43 (PB.LIGHT TO LIMIT SWITCH)	1
2	558441177-00	CA-44 (LIMIT SWITCH TO CHASSIS)	1
3	558441178-00	CA-45 (PARKING BRAKE LAMP TO WC-OP)	1
4	553441126-00	INDICATOR LIGHT - RED	1
5	553441222-00	LIMIT SWITCH	1
6	552350030-00	WASHER 5.2X13X1.6	2
7	552020037-00	HEX HEAD SCREW-STEEL - M5X20	2
8	553442442-00	FLASHER 12V	1
9	558441222-00	PARKING BRAKE INDICATOR KIT	1

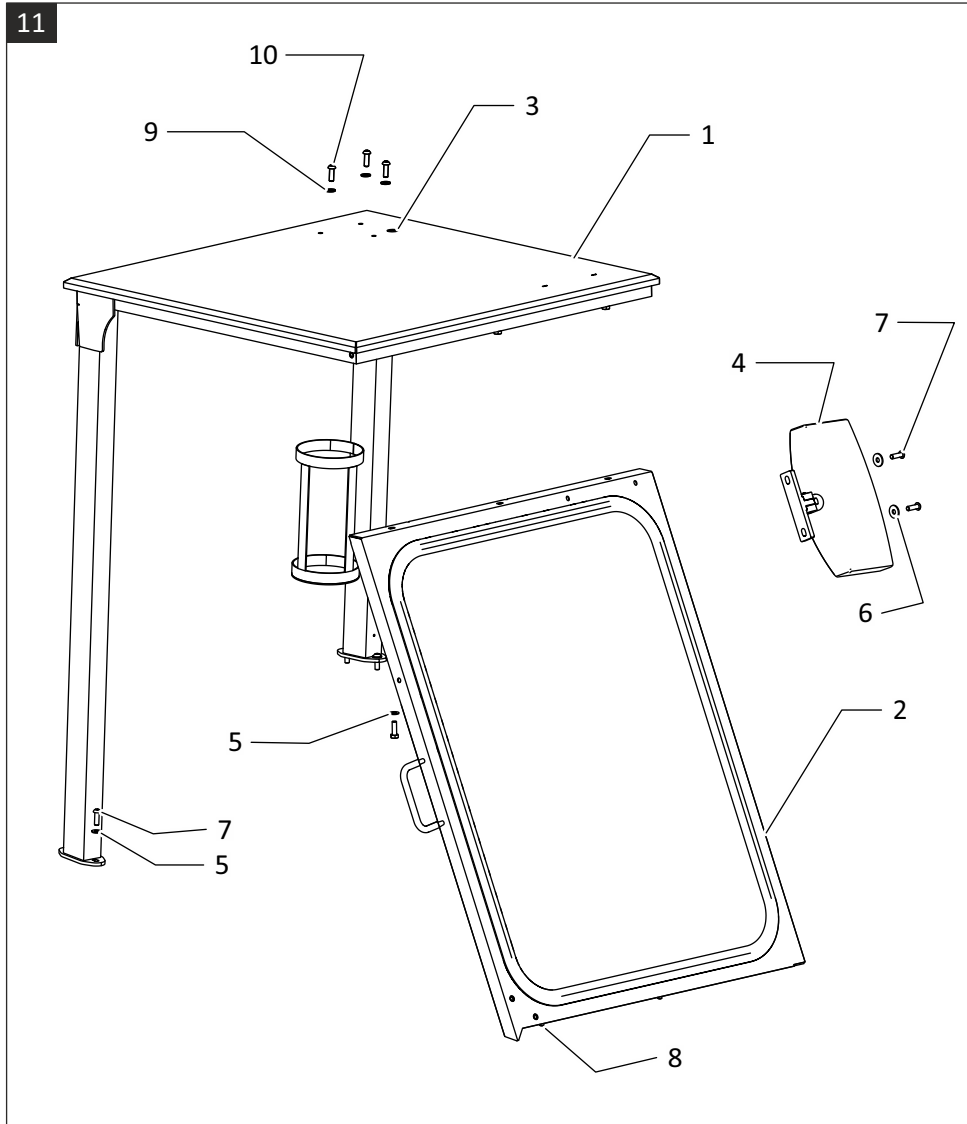
NOTE: Item No.8 is not shown in the figure.

OPTIONAL ACCESSORIES - SEAT BELT KIT



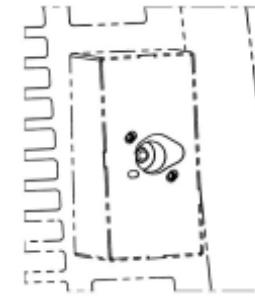
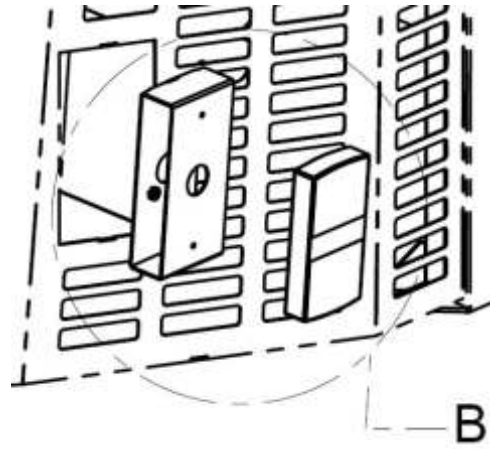
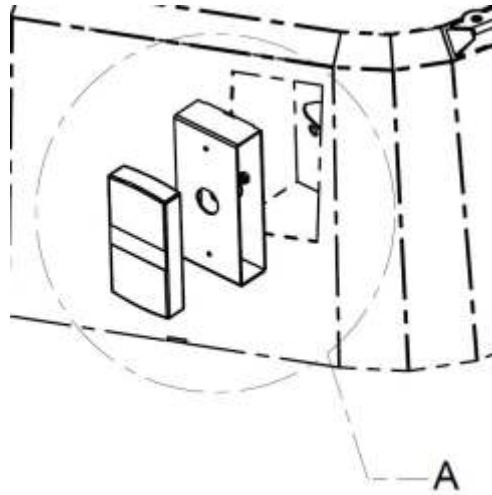
REF.NO.	PART NO	DESCRIPTION	QTY
1	553442848-00	SEAT BELT MTG PLATE - SEAT ASSY	1
2	553442642-00	SEAT BELT	1
3	558441311-00	SEAT BELT KIT	1

OPTIONAL ACCESSORIES - OVERHEAD GUARD

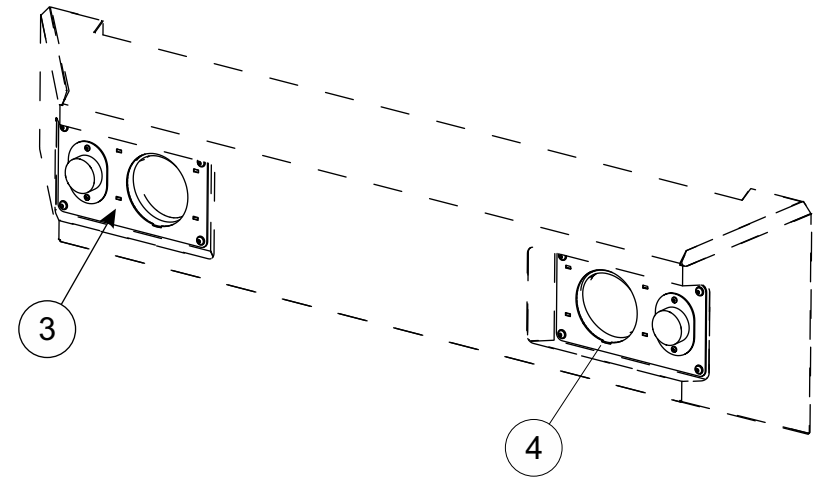
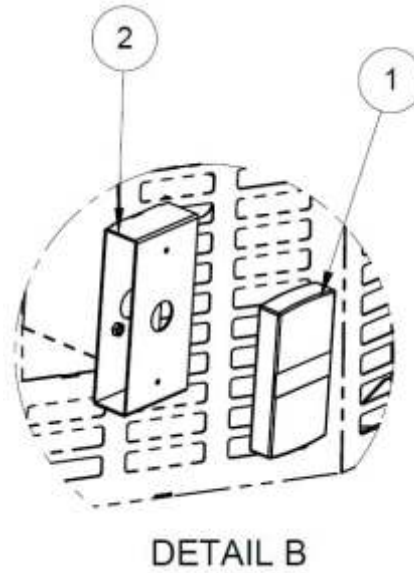
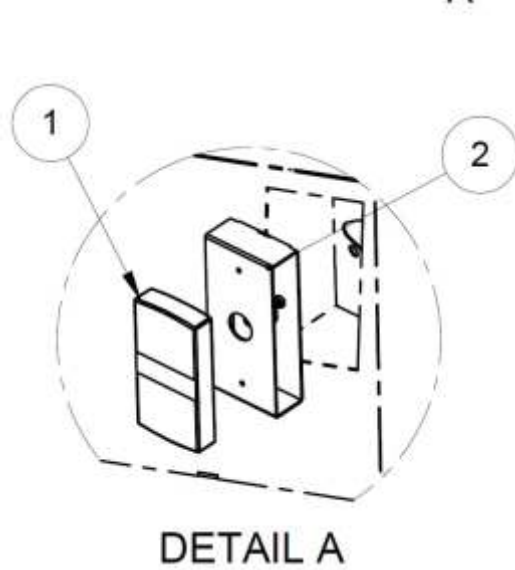


REF.NO.	PART NO	DESCRIPTION	QTY
1	558441253-00	OVERHEAD GUARD WMT	1
2	558441233-00	GLASS ASSY FRONT - OHG	1
3	553441320-00	HANDLE - CANOPY	1
4	553442800-00	REAR VIEW MIRROR - CONVEX	1
5	552850203-00	WASHER - EN8 - 8.4X17X1.6	7
6	552850204-00	WASHER - EN8 - 8.4X24X2.0	2
7	552850908-00	SOC BUTTON HD CAP SCREW - STEEL - M8X25	6
8	552850008-00	HEX HD SCREW - STEEL 8.8 - M8X16	3
9	552480008-00	HEX NYLOCK NUT - STEEL GR.8 - M8	2
10	558441234-00	OVERHEAD GUARD - KIT	1

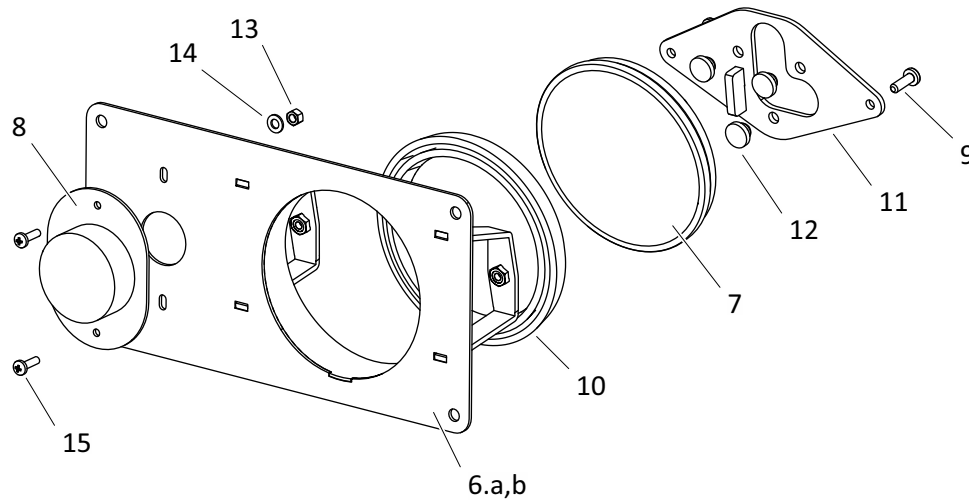
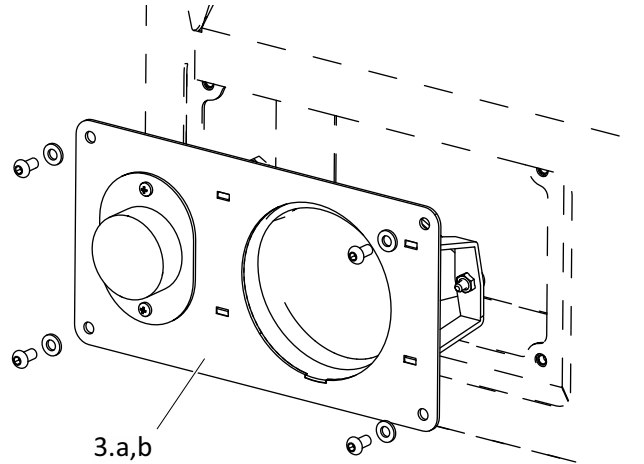
LED LAMP KIT



FASTENERS MOUNTING POSITION ON REAR SIDE

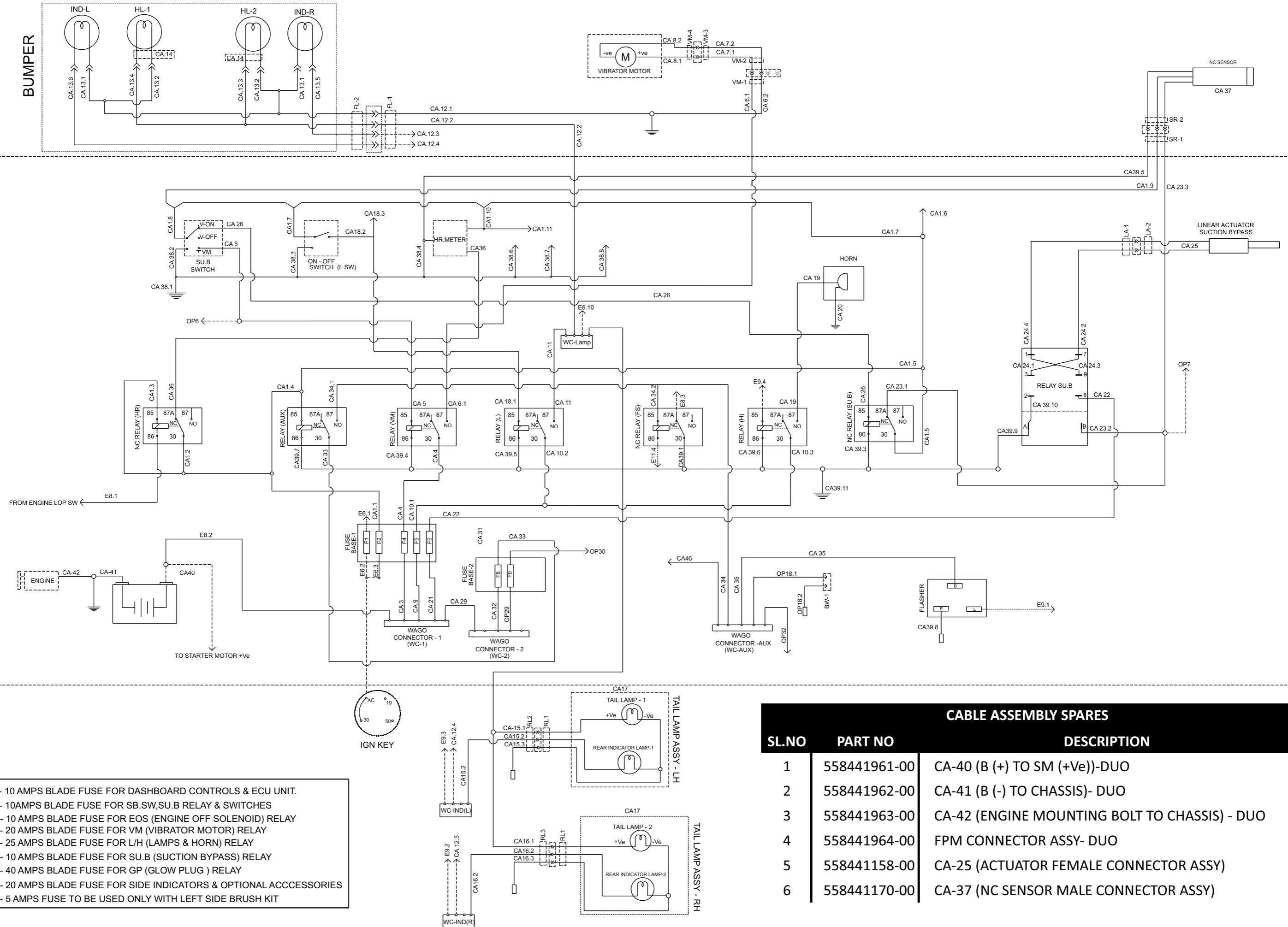


LED LAMP KIT

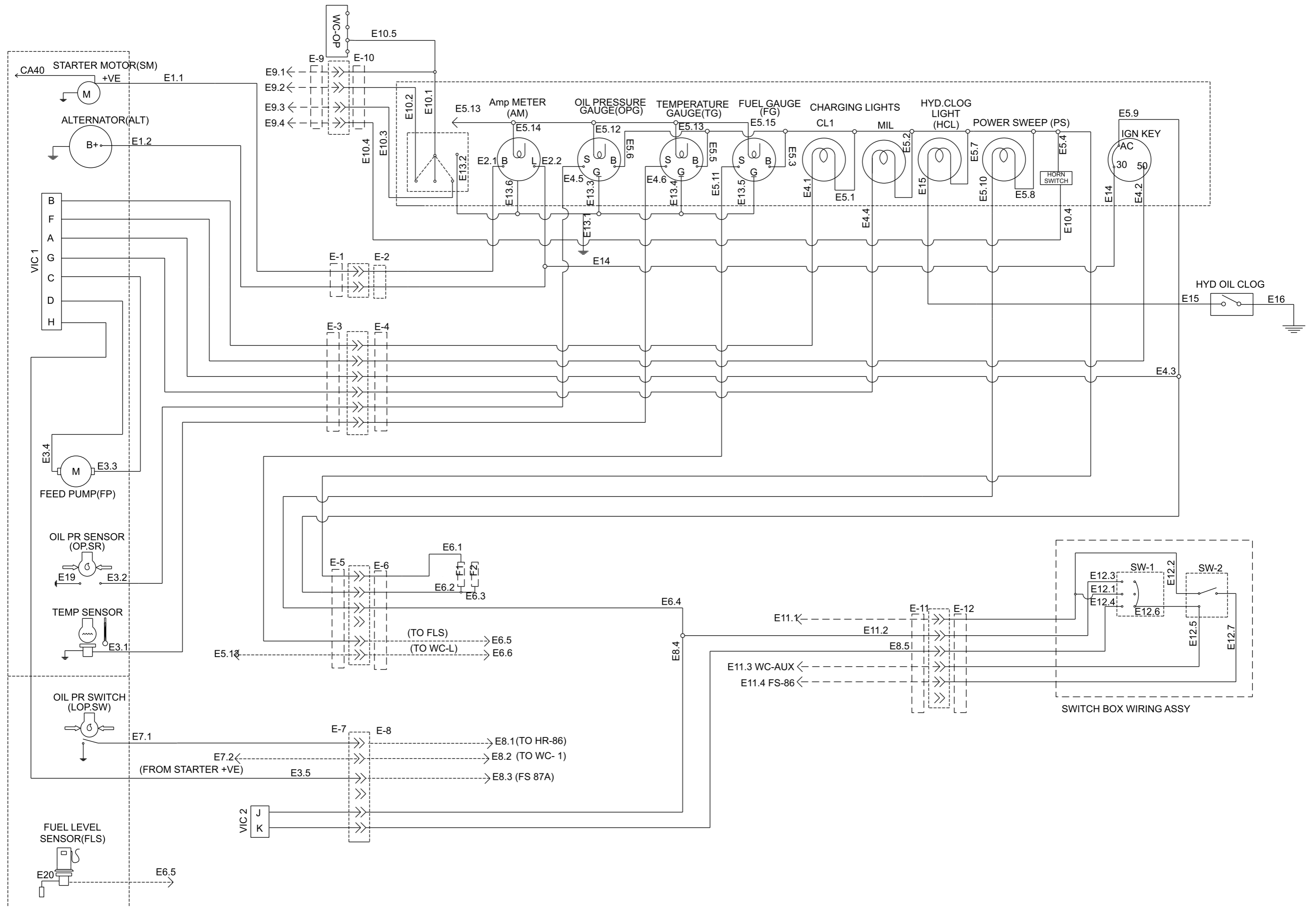


REF.NO.	PART NO	DESCRIPTION	QTY
1	558441663-00	TAIL LIGHT LED CONNECTOR ASSY	1
2	558441669-00	LED BACK LIGHT MTG WMT	2
3.a	558441668-00	FRONT LIGHT ASSY RH - LED	1
3.b	558441612-00	FRONT LIGHT ASSY LH - LED	1
4	552850003-00	HEX HD SCREW - STEEL 8.8 - M6X12	4
5	552850202-00	WASHER - EN8 - 6.4x18x2	4
6.a	558441667-00	LIGHT MTG WMT RH - LED	1
6.b	558441610-00	LIGHT MTG WMT LH - LED	1
7	558441664-00	HEAD LIGHT LED CONNECTOR ASSY	1
8	558441665-00	INDICATOR LED CONNECTOR ASSY	1
9	552140014-00	CR PAN HEAD SCREW - SS304 - M5X16	2
10	553443382-00	U BEADING - HEAD LIGHT E4	1
11	558441611-00	HEAD LIGHT BACK PLATE WMT	1
12	553440331-00	SB DAMPER - RUBBER	3
13	552850807-00	HEX NUT - STEEL GR. 8 - M4	2
14	552350008-00	WASHER-STEEL-5.3X10X1	4
15	552130006-00	CR PAN HEAD SCREW - STEEL - M4X15	2

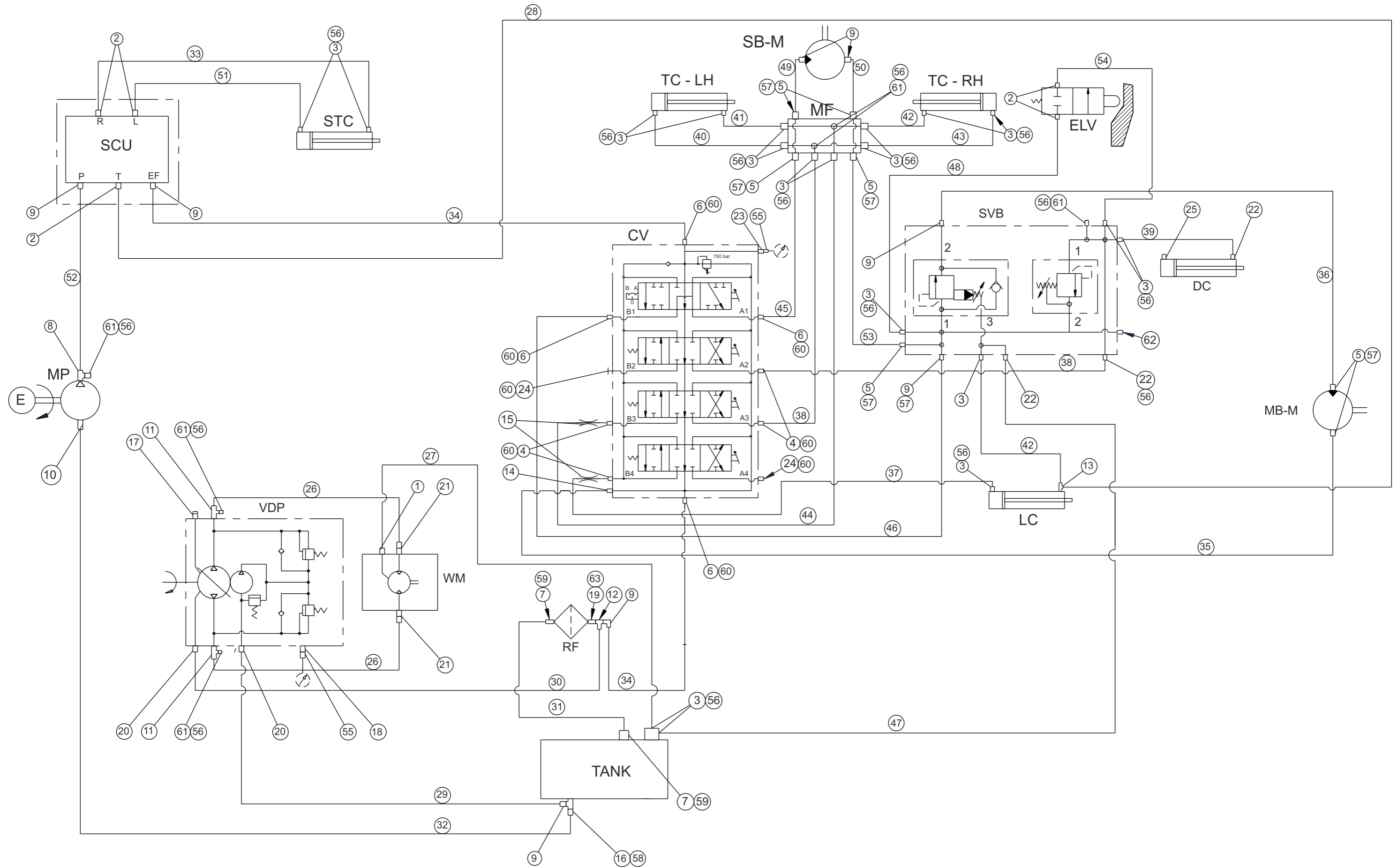
ELECTRICAL WIRING SCHEMATIC - MACHINE



ELECTRICAL WIRING SCHEMATIC - ENGINE



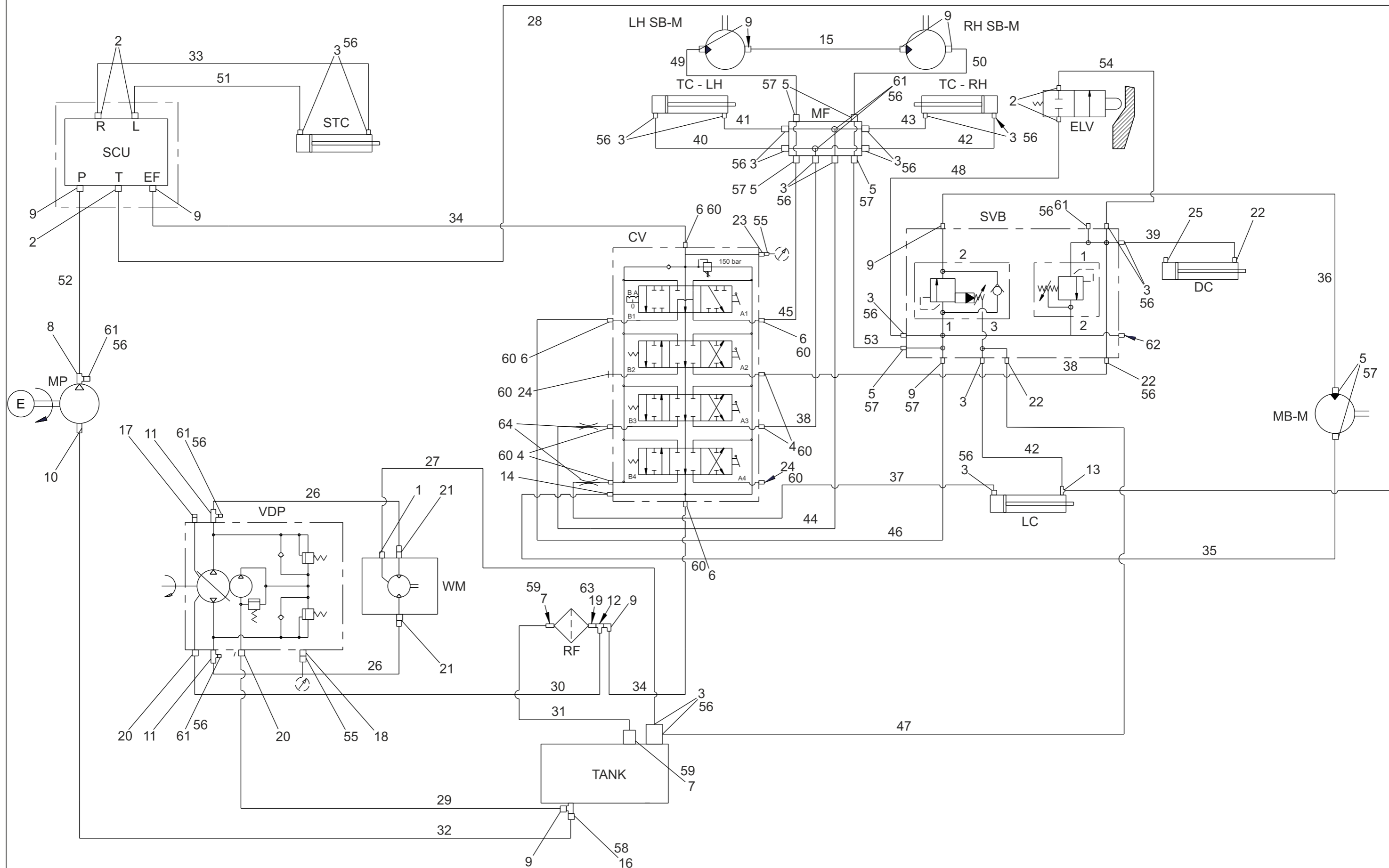
HYDRAULIC SCHEMATIC



HYDRAULIC SCHEMATIC

REF. NO.	PART NO	DESCRIPTION	QTY	REF. NO.	PART NO	DESCRIPTION	QTY
1	558441367-00	ST-9/16" ORFS TO 7/16" UNF ASSY	1	41	553442626-00	9/16"ST - 9/16" ORFS 45° 1/4" R2 LENGTH 935.	1
2	558441368-00	ADJ.EL 9/16" ORFS TO 3/8" BSP ASSY	5	42	553442627-00	9/16"ST - 9/16" ORFS 45° 1/4" R2 LENGTH 960.	2
3	558441369-00	ST-1/4" BSP TO 9/16" UNF ORFS ASSY	19	43	553442628-00	9/16"ST - 9/16" ORFS 45° 1/4" R2 LENGTH 1015.	1
4	558441370-00	ST 3/8" BSP TO 9/16" UNF ORFS ASSY	4	44	553442629-00	9/16"ST - 9/16" ORFS 90° (LONG) 1/4" R2 LENGTH1600.	1
5	558441371-00	ST-1/2" BSP TO 13/16" UNF ORFS ASSY	7	45	553442630-00	13/16"ST - 13/16" ORFS 135° 1/2" R2 LENGTH 850.	1
6	558441372-00	ST-3/8" BSP TO 13/16" UNF ORFS ASSY	4	46	553442631-00	13/16" ST- 13/16" ORFS 135 1/2" R2 LENGTH 1600.	1
7	558441373-00	ST-3/4" BSP TO 1-3/16" ORFS ASSY	2	47	553443892-00	9/16" ST - 9/16" ORFS 90° 1/4" R2 HOSE LENGTH 1900	1
8	558441374-00	ADJ.EL 13/16" ORFS 7/8" UNF 1/4" BSP ASSY	1	48	553443392-00	9/16" ST - 9/16" ORFS 90 1/4" R2 LENGHT 600.	1
9	558441375-00	ADJ.EL 1/2" BSP TO 13/16" ORFS ASSY	8	49	553442634-00	13/16"ST-13/16"ORFS 90 1/2" R2 LENGTH 2010.	1
10	558441376-00	ST 1-7/16" ORFS TO 1-1/16" UNF ASSY	1	50	553442635-00	13/16"ST-13/16"ORFS 90 1/2" R2 LENGTH 2120.	1
11	558441377-00	1-1/16"UNF 13/16"ORFS 1/4"BSP FEMALE ASSY	2	51	553443396-00	9/16"ST - 9/16" ORFS 90° 1/4" R2 LENGTH 3000.	1
12	558441378-00	ADJ.RT 1/2"BSP FEMALE TO 13/16"UNF ASSY	1	52	553443391-00	13/16"ST - 13/16" ORFS 90° 1/2" R2 LENGTH 1200.	1
13	558441379-00	ADJ.RUN T 1/4"BSP 9/16"UNF 9/16"UNF ASSY	1	53	553443394-00	13/16" ST- 13/16" ORFS 90 1/2" R2 LENGTH 1800.	1
14	558441380-00	ADJ.EL 3/8"BSP TO 13/16"ORFS SHORT ASSY	1	54	553443393-00	9/16" ST - 9/16" ORFS 90 1/4" R2 LENGHT 680.	1
15	553440957-00	ORIFICE - 0.8mm	2	55	553441260-00	MINIMISE COUPLING	2
16	558441383-00	ST-1" BSP TO 1-7/16" ORFS ASSY	1	56	552670161-00	1/4" DOWTY WASHER	26
17	558441757-00	ST-3/4" UNF DUMMY ASSY	1	57	552670162-00	1/2" DOWTY WASHER	8
18	558441386-00	ST-3/4" UNF TO 1/4" BSP FEMALE ASSY	1	58	552670163-00	1" DOWTY WASHER	1
19	553441214-00	STRAIGHT 3/4" BSP MALE - 1/2" BSP FEMALE	1	59	552670071-00	3/4" DOWTY WASHER	2
20	558441389-00	ST-3/4" UNF TO 13/16" ORFS ASSY	2	60	552670072-00	3/8" DOWTY WASHER	8
21	558441390-00	ST 1-1/16" UNF TO 13/16" ORFS ASSY	2	61	552500049-00	Dummy 1/4" BSP	6
22	558441392-00	ADJ.EL 1/4" BSP TO 9/16" ORFS ASSY	3	62	552860159-00	PLUG 1/4"BSP	1
23	558441391-00	ADJ.EL 3/8"BSP MALE-1/4"BSP FEMALE ASSY	1	63	552670082-00	3/4 INCH COPPER WASHER	2
24	552500035-00	Dummy 3/8" BSP	2				
25	552860041-00	1/4"Silencer Button ASB 0161 JANATICS	1				
26	553443388-00	13/16"ST - ST 13/16" ORFS 1/2" R2 LENGTH 2000 WITH PVC SLEEVE	2				
27	553443889-00	9/16" ST - 9/16" ORFS ST 1/4" R2 LENGTH 1500 WITH PVC SLEEVE	1				
28	553441235-00	9/16" ST - ST 9/16" ORFS 1/4" R2 LENGTH 1030.	1				
29	553443890-00	13/16" ORFS ST- 13/16" ORFS 90° 1/2" R1 HOSE LENGTH 1300	1				
30	553441241-00	13/16" ORFS ST- 13/16" ORFS 90 1/2" R2 LENGTH 1500.	1				
31	553441238-00	1-3/16"ST - 1-3/16" ORFS 90° 3/4" R1 LENGTH 2250.	1				
32	553443891-00	1-7/16" ST - 1-7/16" ORFS 90° 1" R1 HOSE LENGTH 1300	1				
33	553443395-00	9/16"ST - 9/16" ORFS 90° 1/4" R2 LENGTH 2900.	1				
34	553442295-00	13/16"ST - 13/16" ORFS 90° 1/2" R2 LENGTH 1900.	2				
35	553442296-00	13/16"ST - 13/16" ORFS 90 1/2" R2 LENGTH 1500.	1				
36	553442297-00	13/16"ST - 13/16" ORFS 90 1/2" R2 LENGTH 2300.	1				
37	553442298-00	9/16"ST - 9/16" ORFS 90° 1/4" R2 LENGTH 700.	1				
38	553442299-00	9/16"ST - 9/16" ORFS 90° 1/4" R2 LENGTH 1600.	2				
39	553442300-00	9/16"ST - 9/16" ORFS 90° 1/4" R2 LENGTH 3600.	1				
40	553442625-00	9/16"ST - 9/16" ORFS 45° 1/4" R2 LENGTH 875.	1				

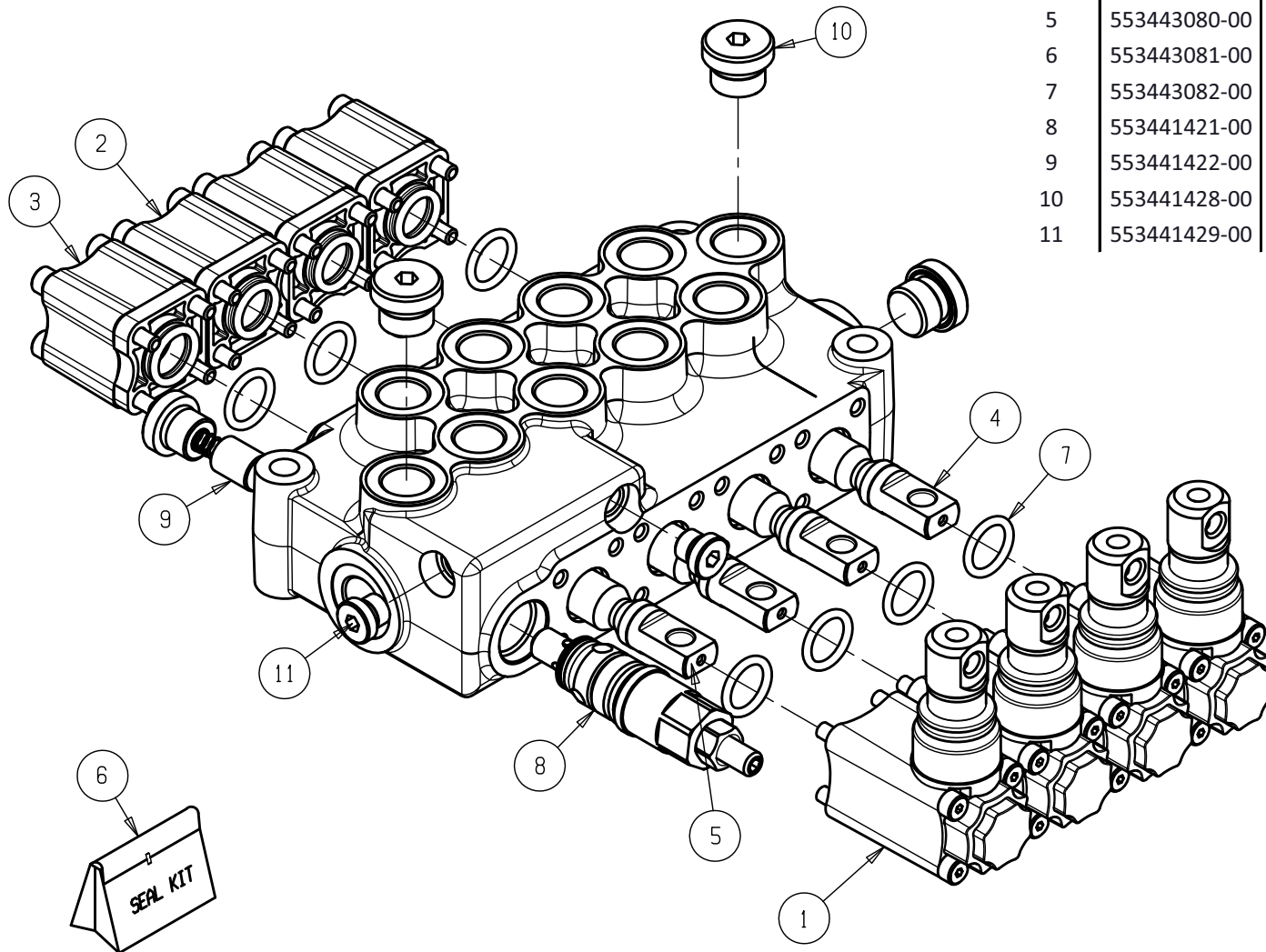
HYDRAULIC SCHEMATIC WITH LH SIDE BRUSH



HYDRAULIC SCHEMATIC WITH LH SIDE BRUSH

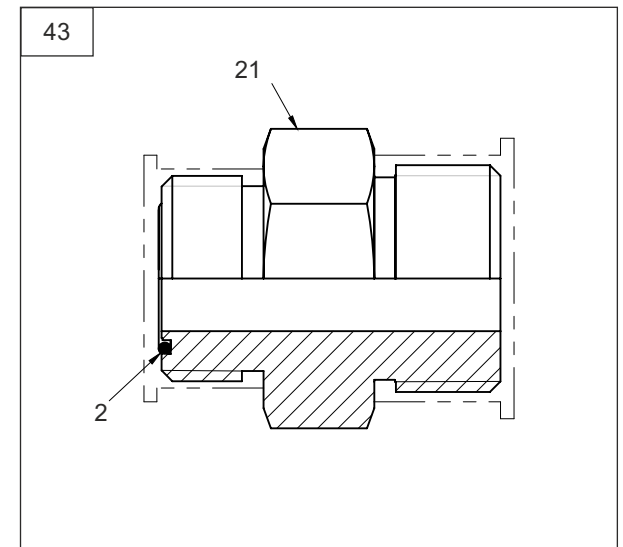
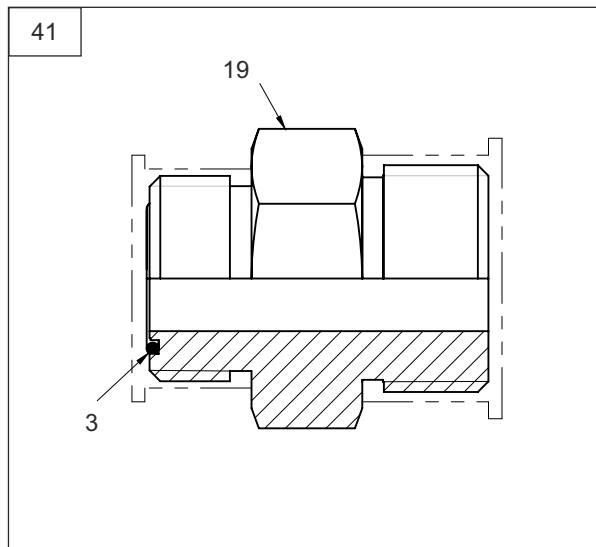
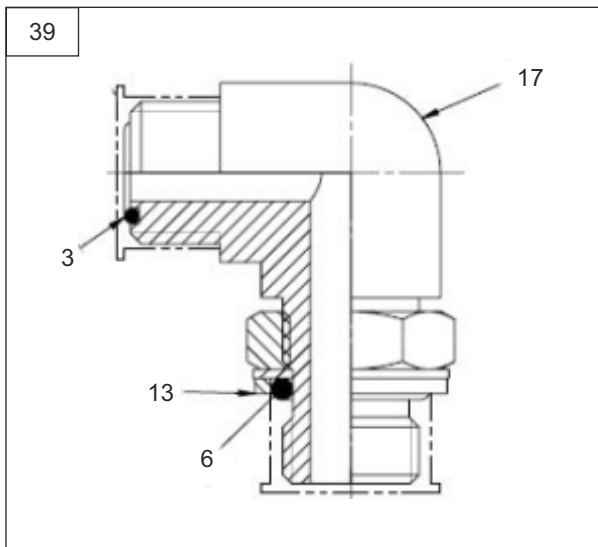
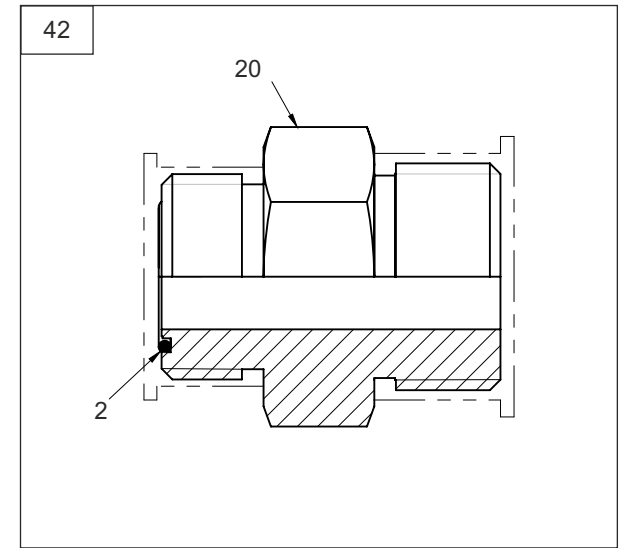
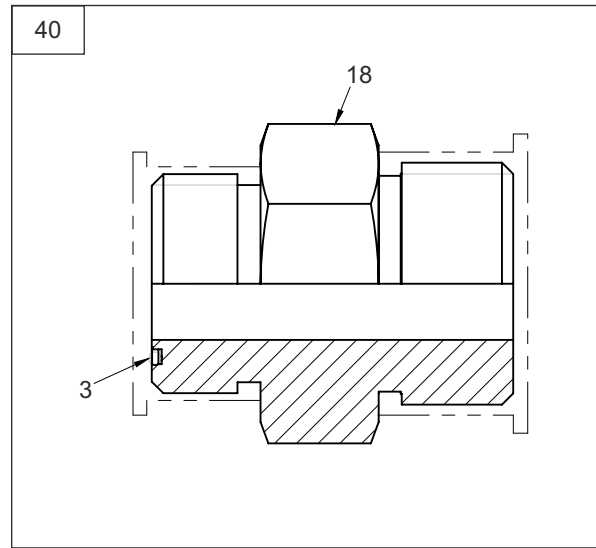
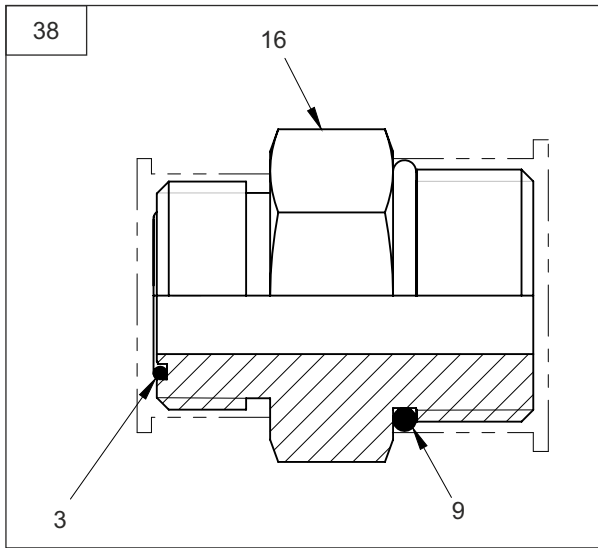
REF. NO.	PART NO	DESCRIPTION	QTY	REF. NO.	PART NO	DESCRIPTION	QTY
1	558441367-00	ST-9/16" ORFS TO 7/16" UNF ASSY	1	41	553442626-00	9/16"ST - 9/16" ORFS 45° 1/4" R2 LENGTH 935.	1
2	558441368-00	ADJ.EL 9/16" ORFS TO 3/8" BSP ASSY	5	42	553442627-00	9/16"ST - 9/16" ORFS 45° 1/4" R2 LENGTH 960.	2
3	558441369-00	ST-1/4" BSP TO 9/16" UNF ORFS ASSY	19	43	553442628-00	9/16"ST - 9/16" ORFS 45° 1/4" R2 LENGTH 1015.	1
4	558441370-00	ST 3/8" BSP TO 9/16" UNF ORFS ASSY	4	44	553442629-00	9/16"ST - 9/16" ORFS 90° (LONG) 1/4" R2 LENGTH1600.	1
5	558441371-00	ST-1/2" BSP TO 13/16" UNF ORFS ASSY	7	45	553442630-00	13/16"ST - 13/16" ORFS 135° 1/2" R2 LENGTH 850.	1
6	558441372-00	ST-3/8" BSP TO 13/16" UNF ORFS ASSY	4	46	553442631-00	13/16" ST- 13/16" ORFS 135 1/2" R2 LENGTH 1600.	1
7	558441373-00	ST-3/4" BSP TO 1-3/16" ORFS ASSY	2	47	553443892-00	9/16" ST - 9/16" ORFS 90° 1/4" R2 HOSE LENGTH 1900	1
8	558441374-00	ADJ.EL 13/16" ORFS 7/8" UNF 1/4" BSP ASSY	1	48	553443392-00	9/16" ST - 9/16" ORFS 90 1/4" R2 LENGHT 600.	1
9	558441375-00	ADJ.EL 1/2" BSP TO 13/16" ORFS ASSY	10	49	553443164-00	13/16"ST-13/16"ORFS 90 1/2" R2 LENGTH 1950.	1
10	558441376-00	ST 1-7/16" ORFS TO 1-1/16" UNF ASSY	1	50	553442634-00	13/16"ST-13/16"ORFS 90 1/2" R2 LENGTH 2010.	1
11	558441377-00	1-1/16"UNF 13/16"ORFS 1/4"BSP FEMALE ASSY	2	51	553443396-00	9/16"ST - 9/16" ORFS 90° 1/4" R2 LENGTH 3000.	1
12	558441378-00	ADJ.RT 1/2"BSP FEMALE TO 13/16"UNF ASSY	1	52	553443391-00	13/16"ST - 13/16" ORFS 90° 1/2" R2 LENGTH 1200.	1
13	558441379-00	ADJ.RUN T 1/4"BSP 9/16"UNF 9/16"UNF ASSY	1	53	553443394-00	13/16" ST- 13/16" ORFS 90 1/2" R2 LENGTH 1800.	1
14	558441380-00	ADJ.EL 3/8"BSP TO 13/16"ORFS SHORT ASSY	1	54	553443393-00	9/16" ST - 9/16" ORFS 90 1/4" R2 LENGHT 680.	1
15	553443671-00	13/16"ST - 13/16" ST ORFS 1/2" R2 LENGTH 4080.	1	55	553441260-00	MINIMISE COUPLING	2
16	558441383-00	ST-1" BSP TO 1-7/16" ORFS ASSY	1	56	552670161-00	1/4" DOWTY WASHER	26
17	558441757-00	ST-3/4" UNF DUMMY ASSY	1	57	552670162-00	1/2" DOWTY WASHER	8
18	558441386-00	ST-3/4" UNF TO 1/4" BSP FEMALE ASSY	1	58	552670163-00	1" DOWTY WASHER	1
19	553441214-00	STRAIGHT 3/4" BSP MALE - 1/2" BSP FEMALE	1	59	552670071-00	3/4" DOWTY WASHER	2
20	558441389-00	ST-3/4" UNF TO 13/16" ORFS ASSY	2	60	552670072-00	3/8" DOWTY WASHER	8
21	558441390-00	ST 1-1/16" UNF TO 13/16" ORFS ASSY	2	61	552500049-00	Dummy 1/4" BSP	6
22	558441392-00	ADJ.EL 1/4" BSP TO 9/16" ORFS ASSY	3	62	552860159-00	PLUG 1/4"BSP	1
23	558441391-00	ADJ.EL 3/8"BSP MALE-1/4"BSP FEMALE ASSY	1	63	552670082-00	3/4 INCH COPPER WASHER	2
24	552500035-00	Dummy 3/8" BSP	2	64	553440957-00	ORIFICE - 0.8mm	2
25	552860041-00	1/4"Silencer Button ASB 0161 JANATICS	1				
26	553443388-00	13/16"ST - ST 13/16" ORFS 1/2" R2 LENGTH 2000 WITH PVC SLEEVE	2				
27	553443889-00	9/16" ST - 9/16" ORFS ST 1/4" R2 LENGTH 1500 WITH PVC SLEEVE	1				
28	553441235-00	9/16" ST - ST 9/16" ORFS 1/4" R2 LENGTH 1030.	1				
29	553443890-00	13/16" ORFS ST- 13/16" ORFS 90° 1/2" R1 HOSE LENGTH 1300	1				
30	553441241-00	13/16" ORFS ST- 13/16" ORFS 90 1/2" R2 LENGTH 1500.	1				
31	553441238-00	1-3/16"ST - 1-3/16" ORFS 90° 3/4" R1 LENGTH 2250.	1				
32	553443891-00	1-7/16" ST - 1-7/16" ORFS 90° 1" R1 HOSE LENGTH 1300	1				
33	553443395-00	9/16"ST - 9/16" ORFS 90° 1/4" R2 LENGTH 2900.	1				
34	553442295-00	13/16"ST - 13/16" ORFS 90° 1/2" R2 LENGTH 1900.	2				
35	553442296-00	13/16"ST - 13/16" ORFS 90 1/2" R2 LENGTH 1500.	1				
36	553442297-00	13/16"ST - 13/16" ORFS 90 1/2" R2 LENGTH 2300.	1				
37	553442298-00	9/16"ST - 9/16" ORFS 90° 1/4" R2 LENGTH 700.	1				
38	553442299-00	9/16"ST - 9/16" ORFS 90° 1/4" R2 LENGTH 1600.	2				
39	553442300-00	9/16"ST - 9/16" ORFS 90° 1/4" R2 LENGTH 3600.	1				
40	553442625-00	9/16"ST - 9/16" ORFS 45° 1/4" R2 LENGTH 875.	1				

HYDRAULIC GROUP - CONTROL VALVE

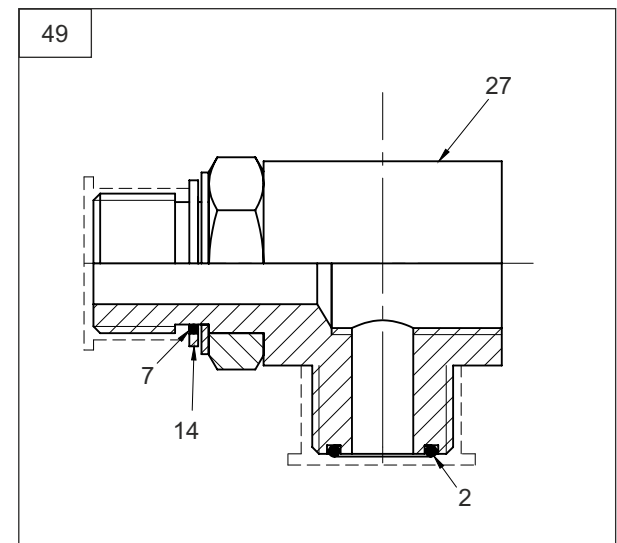
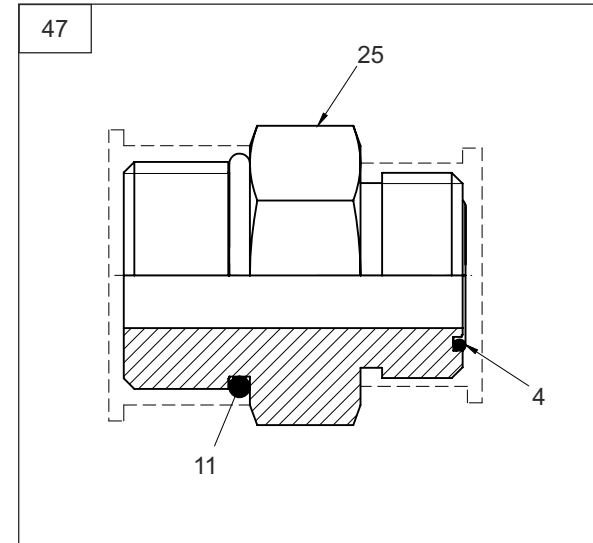
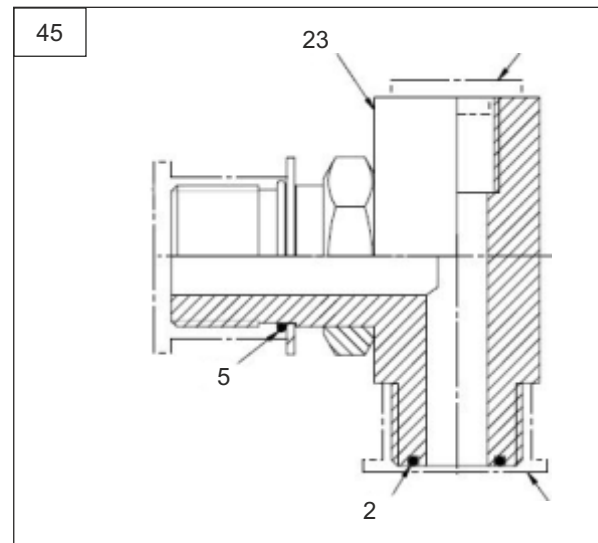
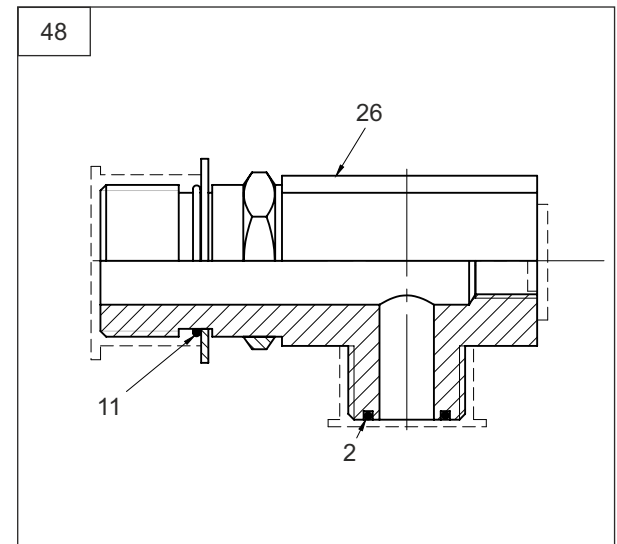
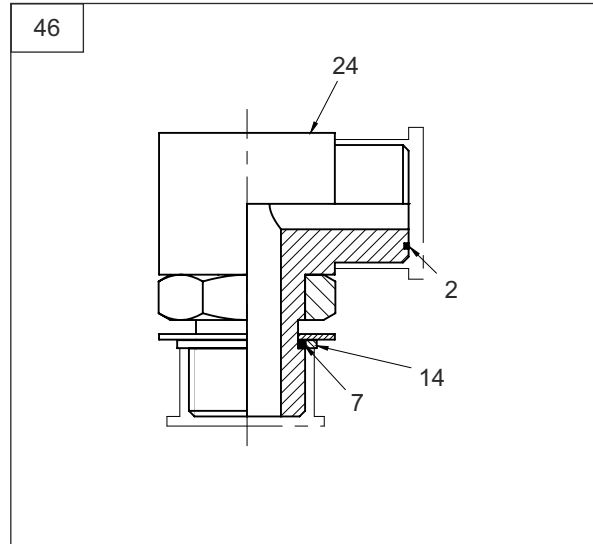
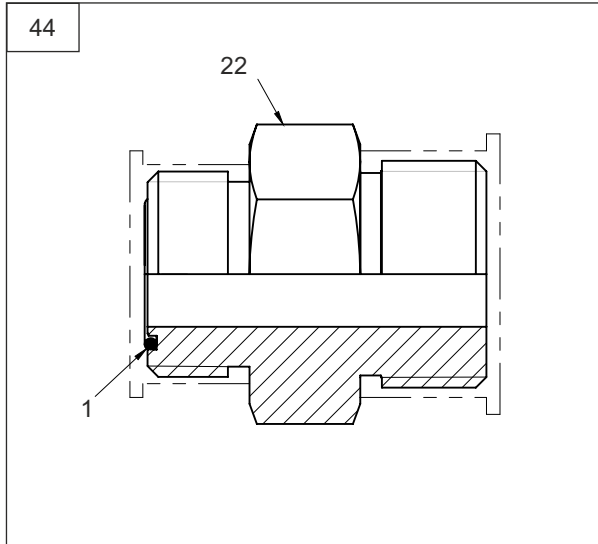


REF. NO.	PART NO	DESCRIPTION	QTY
1	553443076-00	LEVER KIT (H001) FOR HC-M45/4 SX	4
2	553443077-00	SPRING RETURN KIT (F001A)FOR HC-M45/4 SX	3
3	553443078-00	SPRING RETURN KIT (F149)	1
4	553443079-00	SPOOL W001A	3
5	553443080-00	SPOOL W002B SPECIAL	1
6	553443081-00	COMPLETE SEAL KIT FOR HC-45/4 SX	1
7	553443082-00	SPOOL SEALS FOR HC-M45/4 SX	8
8	553441421-00	MRV (180 BAR) 131/210 V.MAX.D	1
9	553441422-00	LOAD CHECK	1
10	553441428-00	PLUG 3/8" GAS	4
11	553441429-00	PLUG M10 X 1	2

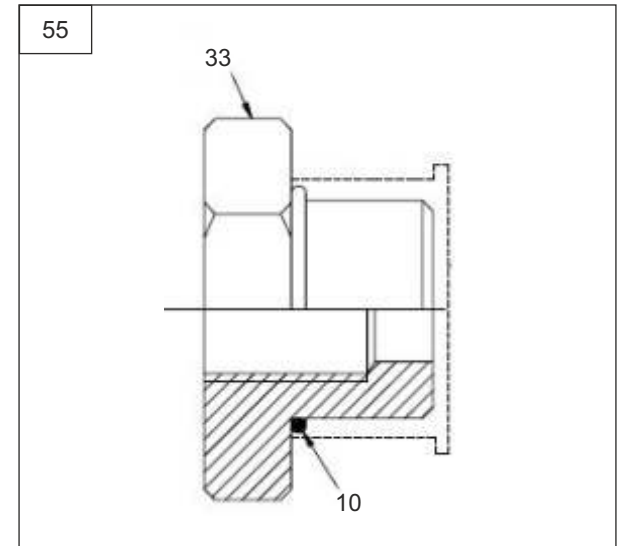
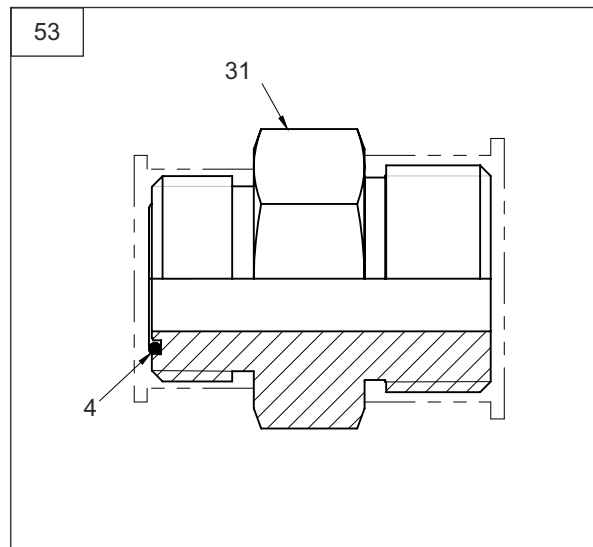
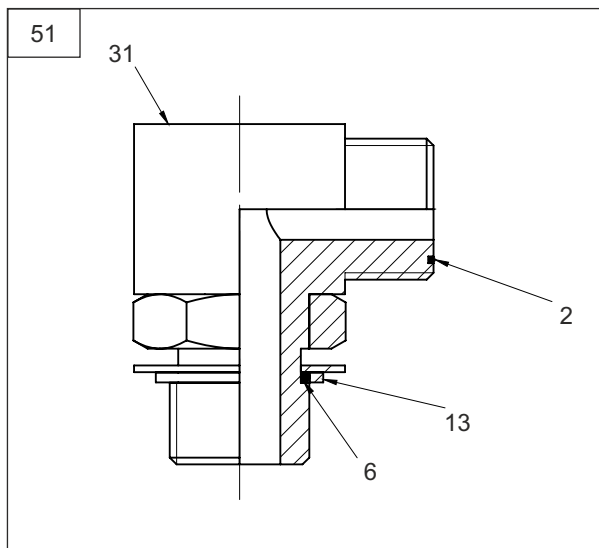
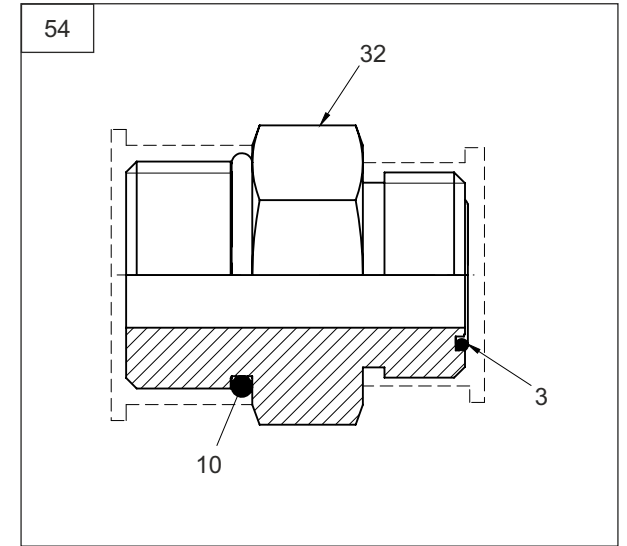
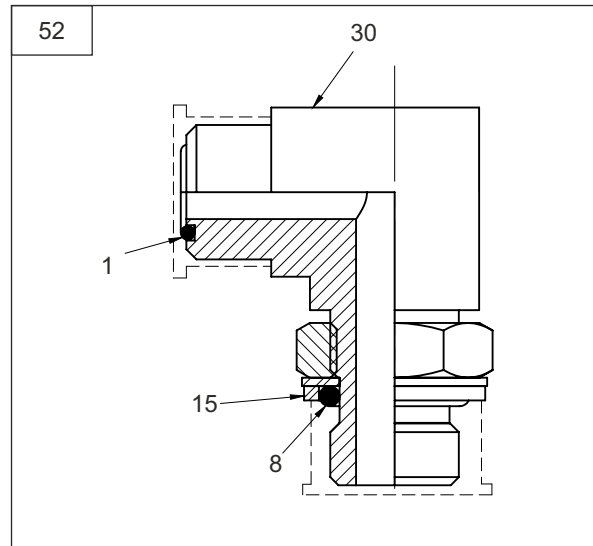
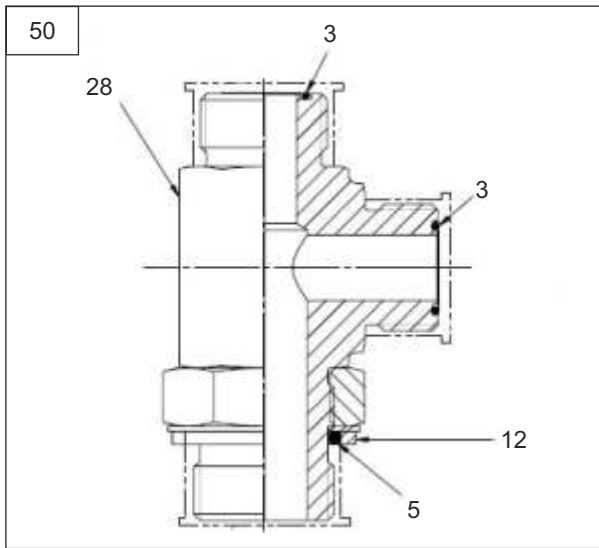
HYDRAULIC GROUP - O RING SEAL KITS



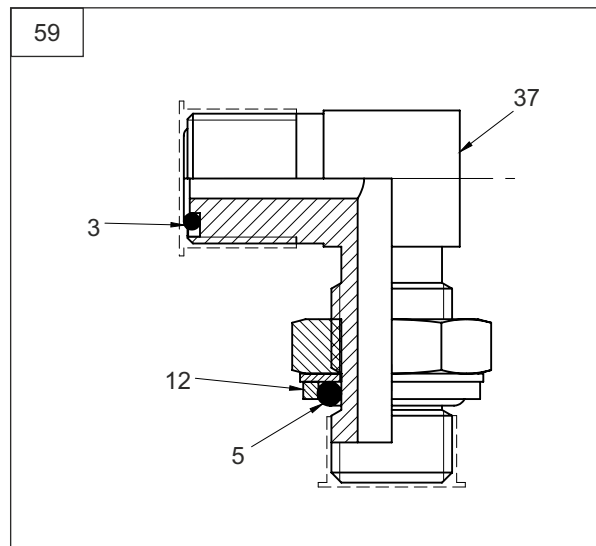
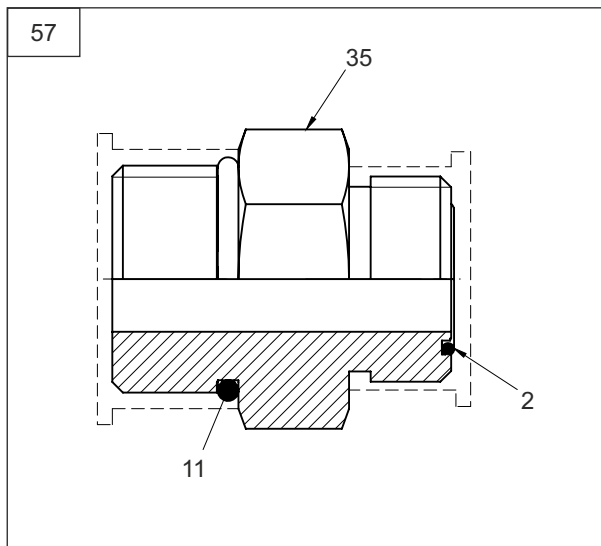
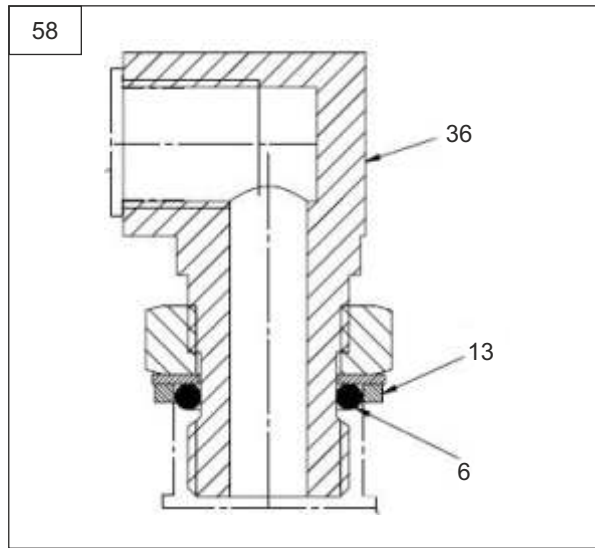
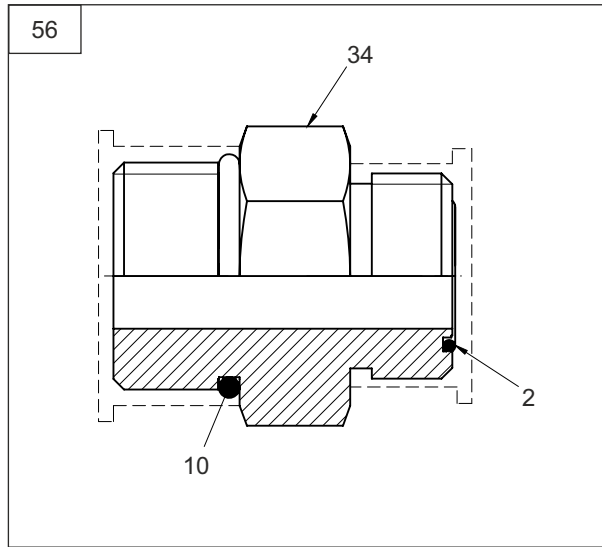
HYDRAULIC GROUP - O RING SEAL KITS



HYDRAULIC GROUP - O RING SEAL KITS



HYDRAULIC GROUP - O RING SEAL KITS



HYDRAULIC GROUP - O RING SEAL KITS

REF. NO.	PART NO	DESCRIPTION	QTY
1	552430050-00	O RING - 7.7 X 1.78	2
2	552430051-00	O RING - 12.4 X 1.78	9
3	552430052-00	O RING - 18.8 X 1.78	7
4	552430053-00	O RING - 23.5 X 1.78	1
5	552430054-00	O RING - 10.77 X 2.62	3
6	552430055-00	O RING - 13.94 X 2.62	3
7	552430056-00	O RING - 17.96 X 2.62	2
8	552430057-00	O RING - 23.47 X 2.62	1
9	552430059-00	O RING - 8.92 X 1.83	1
10	552430060-00	O RING - 16.36 x 2.21	3
11	552430062-00	O RING - 23.47 X 2.95	3
12	552430064-00	RETAINING RING G 1/4 A	2
13	552430065-00	RETAINING RING G 3/8 A	3
14	552430066-00	RETAINING RING G 1/2 A	2
15	552430067-00	RETAINING RING G 3/4 A	1
16	553440671-00	STRAIGHT 9/16" UNF TO 7/16" UNF	1
17	553440677-00	ADJ.ELBOW 9/16" UNF TO 3/8" BSP	1
18	553440683-00	STRAIGHT 9/16" UNF TO 1/4" BSP	1
19	553440684-00	STRAIGHT 9/16" UNF TO 3/8" BSP	1
20	553440685-00	STRAIGHT 13/16" UNF TO 1/2" BSP	1
21	553440686-00	STRAIGHT 13/16" UNF TO 3/8" BSP	1
22	553440687-00	STRAIGHT 1-3/16" UNF TO 3/4" BSP	1
23	553441200-00	ADJ.EL 13/16" UNF 7/8"UNF 1/4"BSP-FEMALE	1
24	553441201-00	ADJ.ELBOW 1/2" BSP TO 13/16" UNF	1
25	553441202-00	ADAPTER ST - 1-7/16" ORFS TO 1-1/16" UNF	1
26	553441203-00	1-1/16" UNF 13/16" ORFS 1/4" BSP (FEMALE)	1
27	553441204-00	ADJ.RUN TE 1/2" BSP FEMALE - 13/16" UNF	1
28	553441205-00	ADJ.RUN TE 1/4"BSP - 9/16"UNF - 9/16"UNF	1
29	553441206-00	ADJ. ELBOW - 3/8" BSP 13/16" ORFS SHORT	1
30	553441208-00	ADJUSTABLE ELBOW 3/4" BSP - 1-3/16" ORFS	1

REF. NO.	PART NO	DESCRIPTION	QTY
31	553441209-00	STRAIGHT 1" BSP TO 1-7/16" ORFS	1
32	553441211-00	ADAPTER ST - 3/4" UNF TO 9/16" ORFS	1
33	553441212-00	STRAIGHT 3/4" UNF TO 1/4" BSP FEMALE	1
34	553441302-00	STRAIGHT 3/4" UNF TO 13/16" ORFS	1
35	553441303-00	STRAIGHT 1-1/16" UNF TO 13/16" ORFS	1
36	553442293-00	ADJ.ELBOW 3/8" BSP MALE # 1/4"BSP FEMALE	1
37	553442641-00	ADJ. ELBOW 1/4" BSP TO 9/16" ORFS	1
38	558441367-00	ST - 9/16" ORFS TO 7/16" UNF ASSY	1
39	558441368-00	ADJ.EL 9/16" ORFS TO 3/8" BSP ASSY	5
40	558441369-00	ST-1/4" BSP TO 9/16" UNF ORFS ASSY	19
41	558441370-00	ST 3/8" BSP TO 9/16" UNF ORFS ASSY	4
42	558441371-00	ST-1/2" BSP TO 13/16" UNF ORFS ASSY	9
43	558441372-00	ST-3/8" BSP TO 13/16" UNF ORFS ASSY	4
44	558441373-00	ST-3/4" BSP TO 1-3/16" ORFS ASSY	1
45	558441374-00	ADJ.EL 13/16"ORFS 7/8" UNF 1/4" BSP ASSY	1
46	558441375-00	ADJ.EL 1/2" BSP TO 13/16" ORFS ASSY	6
47	558441376-00	ST 1-7/16" ORFS TO 1-1/16" UNF ASSY	1
48	558441377-00	1-1/16"UNF 13/16"ORFS 1/4"BSP FEMALEASSY	2
49	558441378-00	ART 1/2" BSP FEMALE TO 13/16" UNF ASSY	1
50	558441379-00	ADJ.RUN T 1/4"BSP 9/16"UNF 9/16"UNF ASSY	1
51	558441380-00	ADJ.EL 3/8" BSP TO 13/16"ORFS SHORT ASSY	1
52	558441382-00	ADJ.EL 3/4" BSP TO 1-3/16" ORFS ASSY	1
53	558441383-00	ST-1" BSP TO 1-7/16" ORFS ASSY	1
54	558441385-00	ST-3/4" UNF TO 9/16" ORFS ASSY	1
55	558441386-00	ST-3/4" UNF TO 1/4" BSP FEMALE ASSY	1
56	558441389-00	ST-3/4" UNF TO 13/16" ORFS ASSY	2
57	558441390-00	ST 1-1/16" UNF TO 13/16" ORFS ASSY	2
58	558441391-00	ADJ.EL 3/8" BSP MALE-1/4"BSP FEMALE ASSY	1
59	558441392-00	ADJ.EL 1/4" BSP TO 9/16" ORFS ASSY	2
60	558440670-00	ADAPTER O RING KIT CONTROL VALVE	1

HYDRAULIC GROUP - O RING SEAL KITS

REF. NO.	PART NO	DESCRIPTION	QTY
61	558440671-00	ADAPTER O RING KIT - SIDE BRUSH MOTOR	1
62	558440672-00	ADAPTER O RING KIT - TILT CYL	1
63	558440674-00	ADAPTER O RING KIT - MANIFOLD	1
64	558440675-00	ADAPTER O RING KIT - SEQ. VALVE BLOCK	1
65	558440676-00	ADAPTER O RING KIT - END LIMITER VALVE	1
66	558440677-00	ADAPTER O RING KIT - DOOR CYL	1
67	558440678-00	ADAPTER O RING KIT - LIFT CYL	1
68	558440679-00	ADAPTER O RING KIT MAIN BRUSH MOTOR	1
69	558440680-00	ADAPTER O RING KIT - SCU	1
70	558440681-00	ADAPTER O RING KIT - MAIN PUMP	1
71	558440682-00	ADAPTER O RING KIT WHEEL MOTOR	1
72	558440683-00	ADAPTER O RING KIT - VDP	1
73	558440684-00	ADAPTER O RING KIT - HYDRAULIC OIL TANK	1
74	558440685-00	ADAPTER O RING KIT- REMOTE ENG. OIL FILT	1
75	558440686-00	ADAPTER O RING KIT-OIL COOLER KIT	1

Note: Item Nos. 60 to 75 are not shown in the figure.

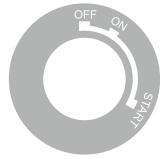
RHINO 

POWER SWEEPER

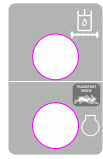
RL 160

Branding stickers complete: 557440107-00

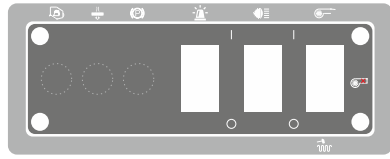
STICKER - FUNCTIONAL



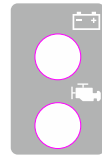
1



2



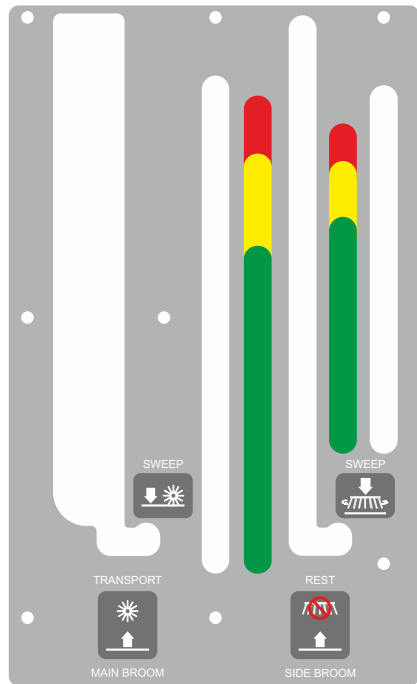
3



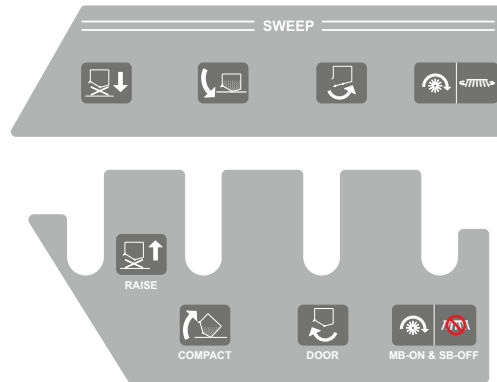
4



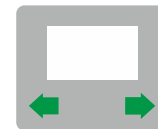
7



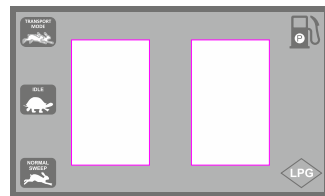
5



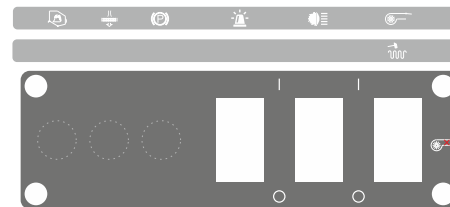
6



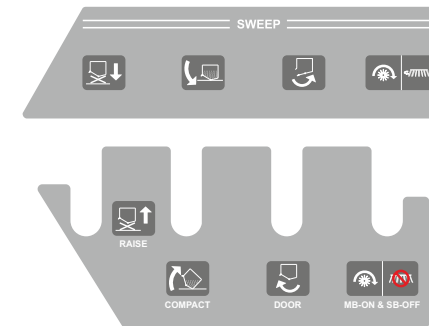
8



9



10



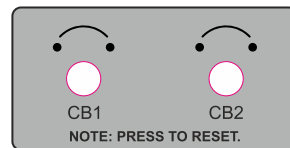
11



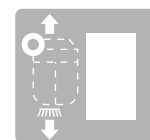
12



13



14



15

REF. NO	PART NO	DESCRIPTION	QTY
1	557440113-00	IGNITION KEY DECAL - EXPORT	1
2	557440102-00	HYD OIL CLOG & ENGINE RPM INDICATOR DECAL	1
3	557440053-00	SWITCH PANEL FW DECAL	1
4	557440103-00	BATTERY CHARGING & ENGINE MALFUNCTION INDICATOR DECAL	1
5	557440055-00	MB & SB LEVEL INDICATOR DECAL	1
6	557440056-00	CONTROL VALVE DECAL	1
7	557440058-00	HORN DECAL	1
8	557440059-00	TURN INDICATOR DECAL	1
9	557440101-00	THROTTLE SWITCH BOX DECAL	1
10	557440092-00	SWITCH PANNEL FW DECAL - CABIN	1
11	557440089-00	CONRTOL VALVE DECAL - CABIN	1
12	557440083-00	SWITCH BOX DECAL	1
13	557440084-00	INDICATOR DECAL – CABIN	1
14	557440093-00	CIRCUIT BREAKER DECAL	1
15	557440074-00	LH SIDE BRUSH ACTUATOR DECAL	1

STICKER - SAFETY



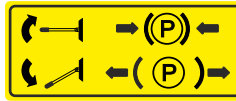
1



2



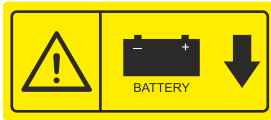
3



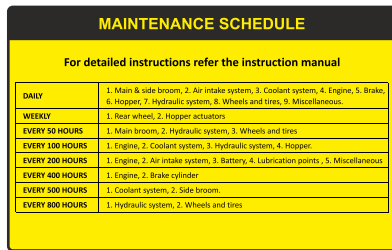
4



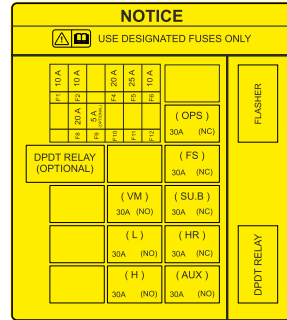
5



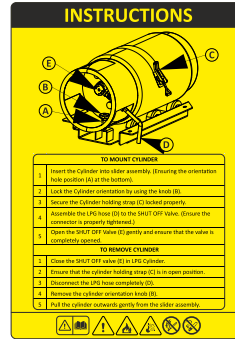
9



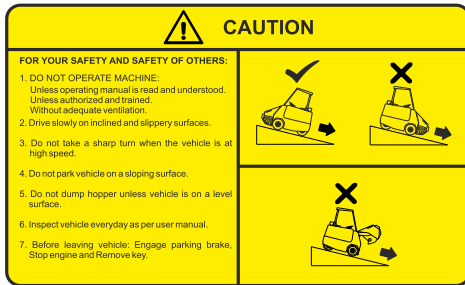
13



14



15



8



16



11



12

REF. NO	PART NO	DESCRIPTION	QTY
1	557440060-00	FAN ROTATION WARNING DECAL	1
2	557440100-00	ENGINE FUEL (GASOLINE) WARNING DECAL	1
3	557440062-00	LIFT ARM SAFTY WARNING DECAL	2
4	557440063-00	PARKING BRAKE DECAL	1
5	557440064-00	BELT ROTATION WARNING DECAL	1
6	557440065-00	SIDE COVER PRESENCE INDICATOR DECAL	2
7	557440090-00	ENGINE HOOD PRESENCE INDICATOR DECAL	1
8	557440067-00	MACHINE SAFTY INSTRUCTION DECAL	1
9	557440068-00	BATTERY DECAL	1
10	557440069-00	SAFETY STOPPER DECAL	1
11	557440071-00	GREASE POINT RH DECAL	3
12	557440072-00	GREASE POINT LH DECAL	5
13	557440091-00	MAINTENANCE SCHEDULE NOTE DECAL - E4	1
14	557440110-00	FUSEBOX DECAL – DUO	1
15	557440098-00	LPG CYL MTG INSTRUCTION DECAL	1
16	557440099-00	LPG CYL. LOCATION IDENTIFICATION DECAL	1



6



7



10

OPERATOR NOTES

THIS PAGE IS INTENTIONALLY BLANK

THIS PAGE IS INTENTIONALLY BLANK



Roots Multiclean Ltd.

R.K.G. Industrial Estate, Ganapathy, Coimbatore - 641 006, India.

Phone: +91 (422) 4330 330, *E-mail:* rmclsales@rootsemail.com

Web: rootsmulticlean.com

Toll Free: **1800 41 99 77 9**