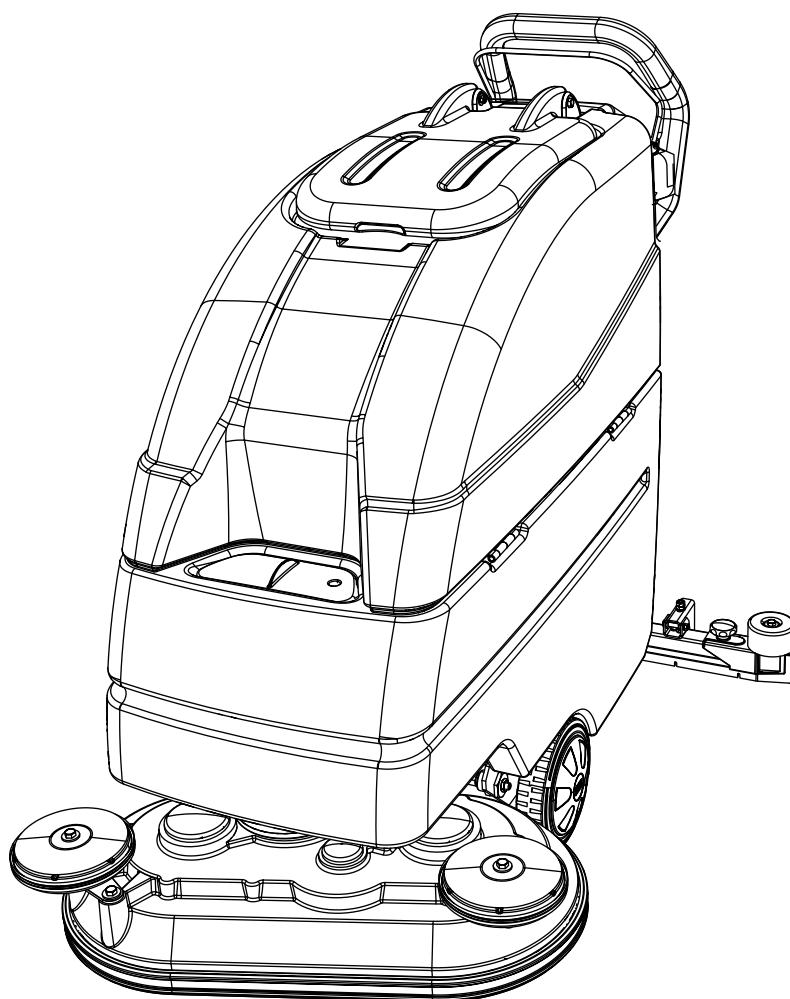


RootsScrub BT6060



Walk Behind Scrubber Drier
with Traction Drive



Illustrated Parts List

| <i>Description</i> | <i>Page No.</i> | <i>Description</i> | <i>Page No.</i> |
|---------------------------|------------------------|------------------------------------|------------------------|
| Introduction | 4 | Dirty Water Tank & Suction Turbine | 16 |
| Know Your Machine | 5 | Fresh Water Tank | 18 |
| Chassis Group | 6 | Control Unit | 20 |
| Brush Head Group | 10 | Battery & Charger Group | 24 |
| Straight Squeegee Group | 14 | Electrical Group | 25 |
| Straight Squeegee Lifting | 15 | Final Assy | 28 |

Roots Multiclean Ltd (RMCL) is not liable for any legal claims that may arise as a direct or indirect result of the contents of this manual.

Roots Multiclean Ltd.
 RKG Industrial Estate,
 Coimbatore - 641 006,
 India.

Preface

Dear Customer,

We are pleased with your having chosen the **RootsScrub BT6060** machine for your floor cleaning requirements. Backed by our industry expertise that spans across decades, we assure you that the machine comes with our Roots promise of quality, efficiency and performance.

We advise you to carefully read through the instructions prior to the operation of the machine. This manual contains detailed instructions for the proper operation of the machine, along with important information regarding its handling, care, maintenance and service needs.

We are sure that you will find the machine and its performance to your utmost satisfaction. Once again, we thank you for choosing Roots Multiclean as a trusted partner for your cleaning requirements and solutions.

Usage and Handling

Use of the product beyond the specified scope of functioning is deemed improper and the manufacturer cannot be held liable for any damages which may arise due to this.

This machine may be used only by persons who are trained or are familiar with the machine and are aware of the possible hazards involved. The appropriate Accident Prevention Regulations as well as applicable general regulations pertaining to Safety and Health at the work place must be adhered to by the user.

Modifications made to machine without the manufacturer's consent will relieve the manufacturer of responsibility and any possible liability for consequential damage.

Notes on Domestic Warranty

Please refer to the **Limited Warranty card supplied along with the machine** for additional information. This Warranty Policy is applicable only for the product sold within India. If the product requires repair or maintenance work to be performed, please ensure that you get the machine serviced from an authorised service center or dealer of RMCL to ensure that the warranty is not void.

Acceptance of the Machine

On arrival of the machine at the shipping address, please check for any damage that may have occurred as a result of transit. In the event of any such damage, the purchaser is bound by responsibility to send a claim letter to the concerned RMCL branch/dealer with a copy of the invoice. The letter should be sent within 24 hours of receipt of the machine.

The Manual

All information contained is without obligation. Roots Multiclean Ltd (RMCL) particularly reserves the right to modify any equipment, technical specifications, colours, shapes, materials and the like so as to adapt them to local conditions all without previous announcement and without giving reasons. RMCL may stop manufacturing certain models without previous notice.

The Owner's Manual corresponds to the latest information available for this machine at the time it was printed. Minor deviations resulting from enhancements of the design cannot be entirely represented.

The Owner's Manual is an integral part of the machine and must not be misplaced.

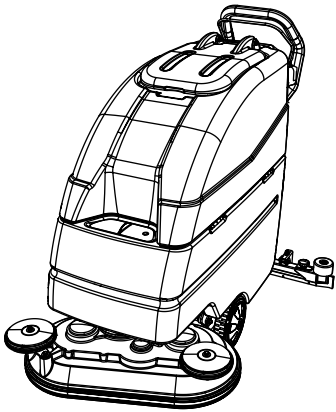
Roots reserves the right to change the product or contents of this manual without prior information.

For Battery, Motors, Engines and other OEM components related kindly refer to their manufacturers manual supplied along with the machine for instructions regarding usage, maintenance and service.

Please note down the serial number of your machine below:

| |
|------------------------|
| Serial number: |
| Date of commissioning: |

- Note:**
- We have specified the Model Type/No. in some contents/instructions.
 - If Model Type/No. has not been specified, the instruction will be applicable to all models.

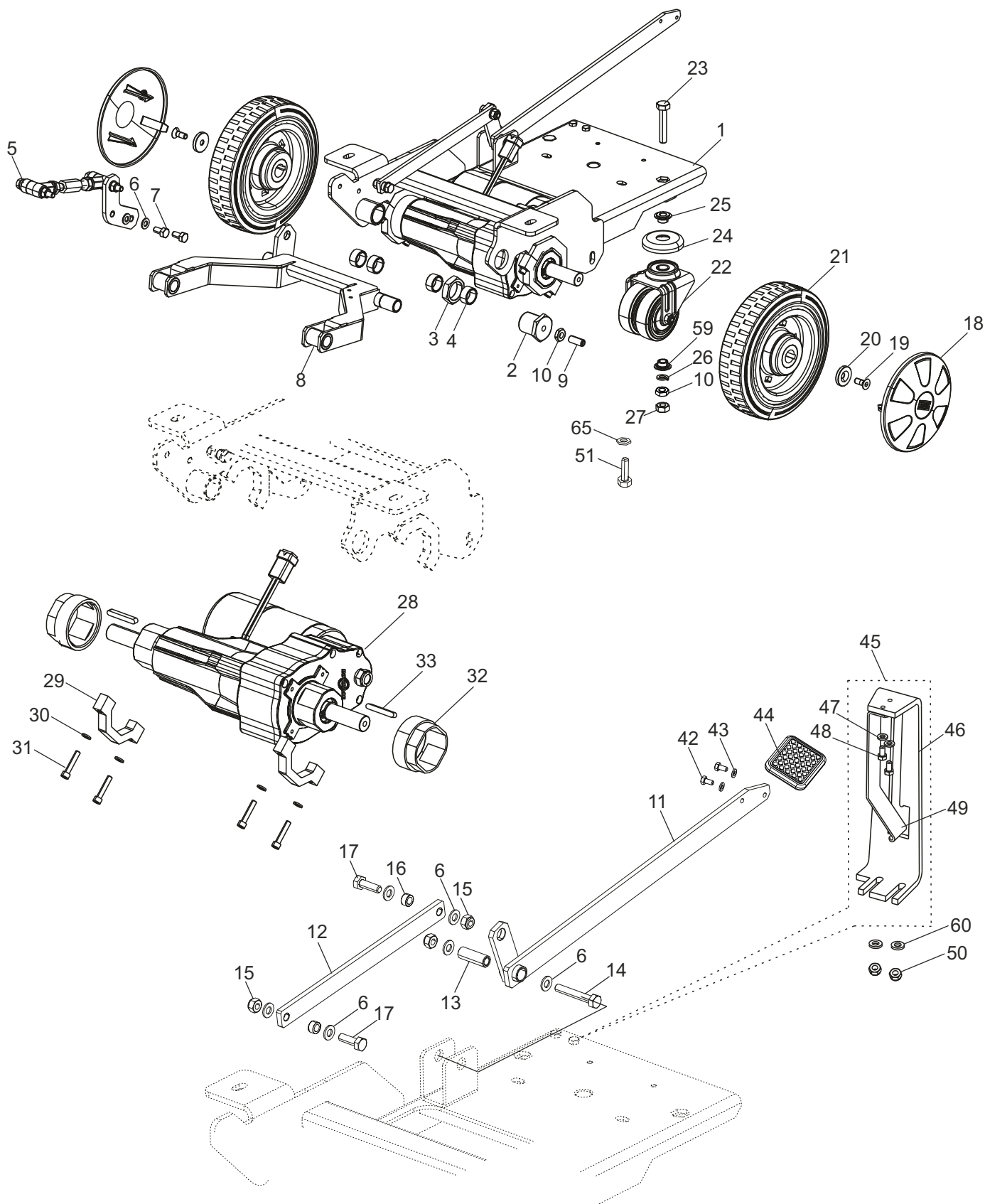


BT 6060
Twin Disc Type with
Straight Squeegee

Type of Brush

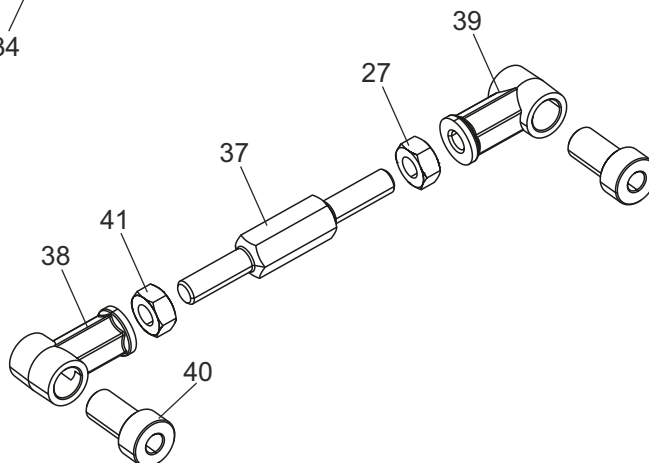
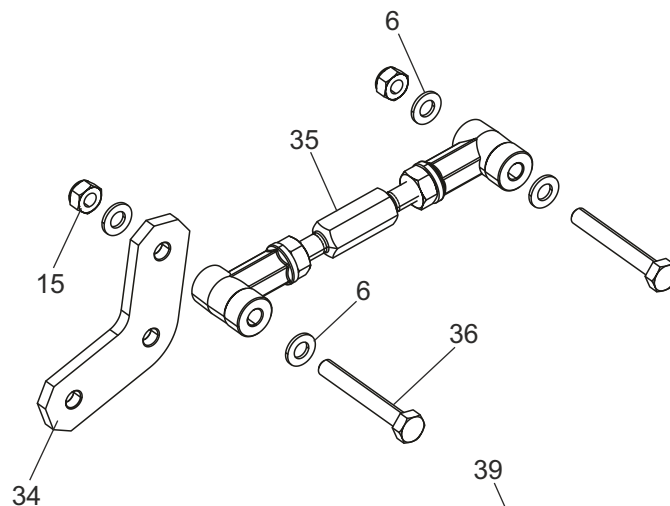
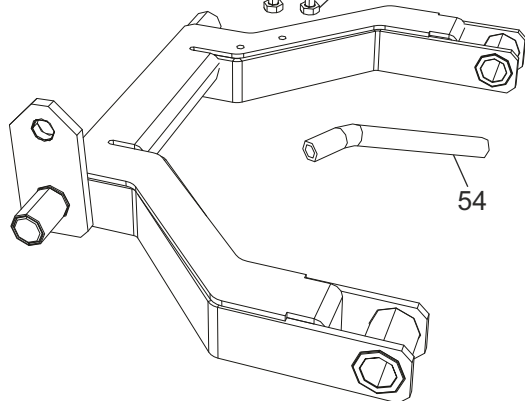
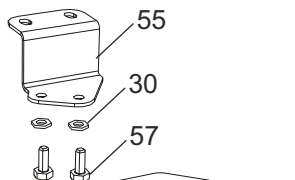
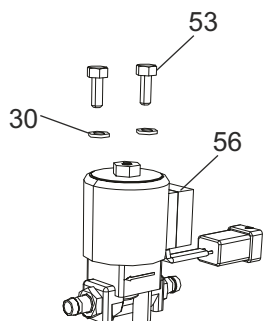
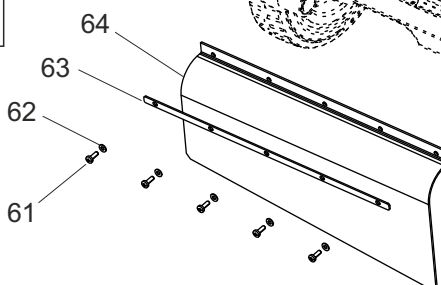
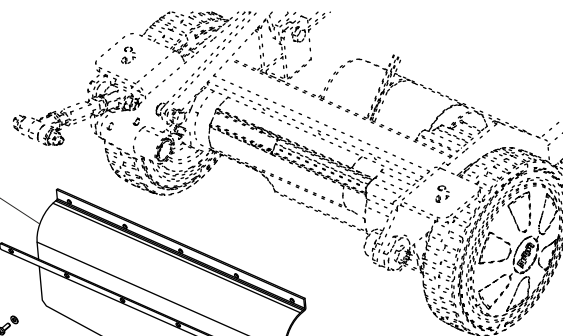
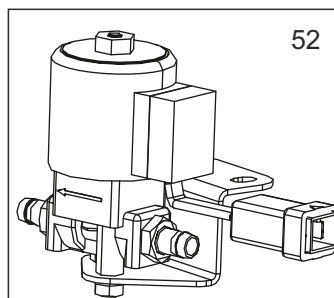
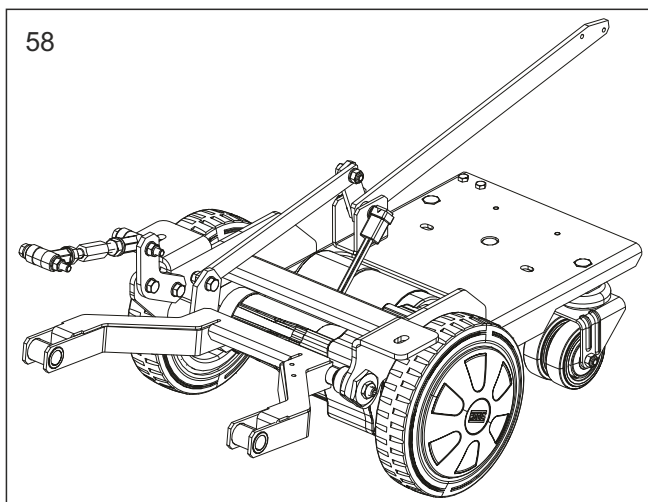


Disc type



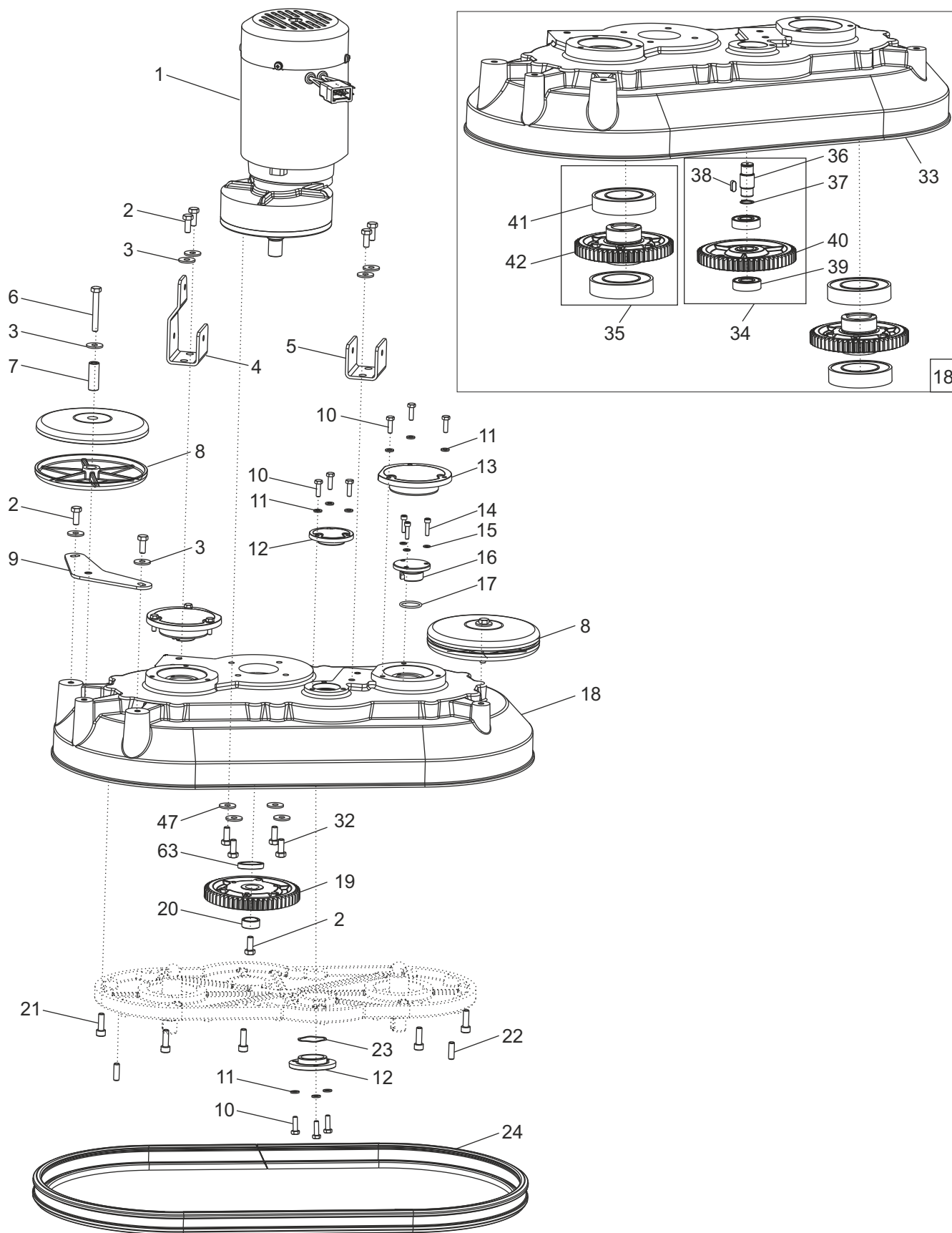
| REF.NO | PART NO | DESCRIPTION | QTY |
|--------|--------------|------------------------------------|-----|
| 1 | 558240002-00 | CHASSIS WELDMENT - BT60 | 1 |
| 2 | 553350435-00 | PIVOT SCREW-SQG | 1 |
| 3 | 553350434-00 | NUT- ARM SUPPORT | 1 |
| 4 | 553350021-00 | LINER-BUSH-20-ID | 4 |
| 5 | 558350295-00 | THIRD ARM ASSY | 1 |
| 6 | 552350016-00 | WASHER - STEEL - 9.0x17x1.6 | 12 |
| 7 | 552020015-00 | HEX HEAD SCREW - M8X16 | 2 |
| 8 | 558240074-00 | CONNECTING LEVER WELDMENT - BT6060 | 1 |
| 9 | 552700003-00 | HEX SOC HD GRUB SCREW-ST - M10X25 | 1 |
| 10 | 552250009-00 | HEX LOCK NUT - STEEL - M10 | 3 |
| 11 | 558350158-00 | PEDAL WELDMENT | 1 |
| 12 | 553350632-00 | PEDAL CONNECTOR - E600 | 1 |
| 13 | 553350290-00 | PEDAL PIN HINGE-E60 | 1 |
| 14 | 552020018-00 | HEX HEAD SCREW-ST - M8X50 | 1 |
| 15 | 552480008-00 | HEX NYLOC-NUT STEEL - M8 | 5 |
| 16 | 553350405-00 | SPACER-LINK | 2 |
| 17 | 552040009-00 | HEX-HEAD-SCREW-SS - M8X25 | 2 |
| 18 | 553350347-00 | COVER-WHEEL-OUTER | 2 |
| 19 | 552220012-00 | HEX SOC CSK HD SCREW-SS304 - M8X20 | 2 |
| 20 | 553350019-00 | WASHER-WHEEL | 2 |
| 21 | 558240005-00 | WHEEL (200X50) - BT | 2 |
| 22 | 558350221-00 | CASTOR WHEEL 75 X 28T | 2 |
| 23 | 552040037-00 | HEX HEAD SCREW - SS 304 M10X45 | 2 |
| 24 | 553350346-00 | PROTECTION CAP-CASTOR-TOP | 2 |
| 25 | 553350345-00 | WASHER-CASTOR | 2 |
| 26 | 552510006-00 | SPRING-WASHER-STEEL - M10 | 2 |
| 27 | 552170013-00 | HEX NUT - STEEL - M10 | 3 |
| 28 | 558240047-00 | DRIVE MOTOR WITH CONNECTOR - BT60 | 1 |
| 28a | 552670156-00 | CARBON BRUSH-DRIVE MOTOR | 2 |
| 29 | 553240017-00 | SUPPORT PLATE TOP - BT | 2 |
| 30 | 552360011-00 | WASHER - SS - 6.4X12.5X1.6 | 8 |
| 31 | 552230040-00 | HEX SOC HD CAP SCREW - M6X30 | 4 |
| 32 | 553240014-00 | RUBBER BUSH | 2 |
| 33 | 553240029-00 | KEY - DRIVE MOTOR - 6X6X45 | 2 |

Item No. **28a** is not shown in the drawing.



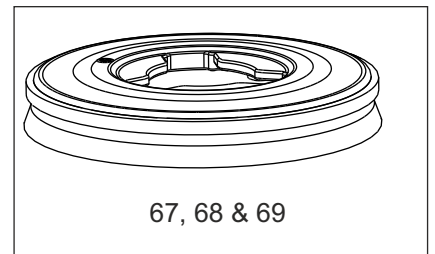
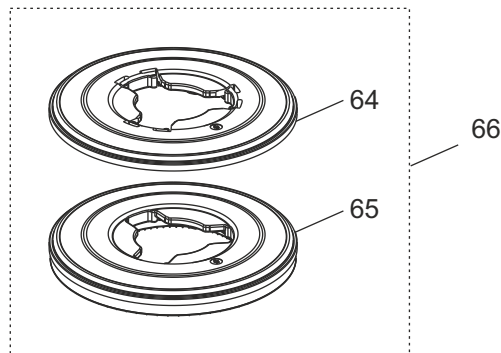
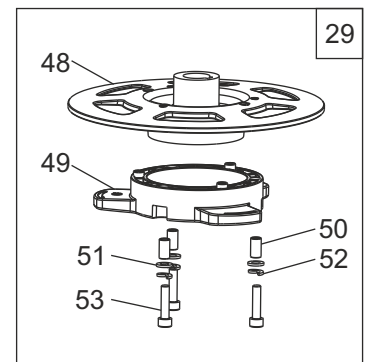
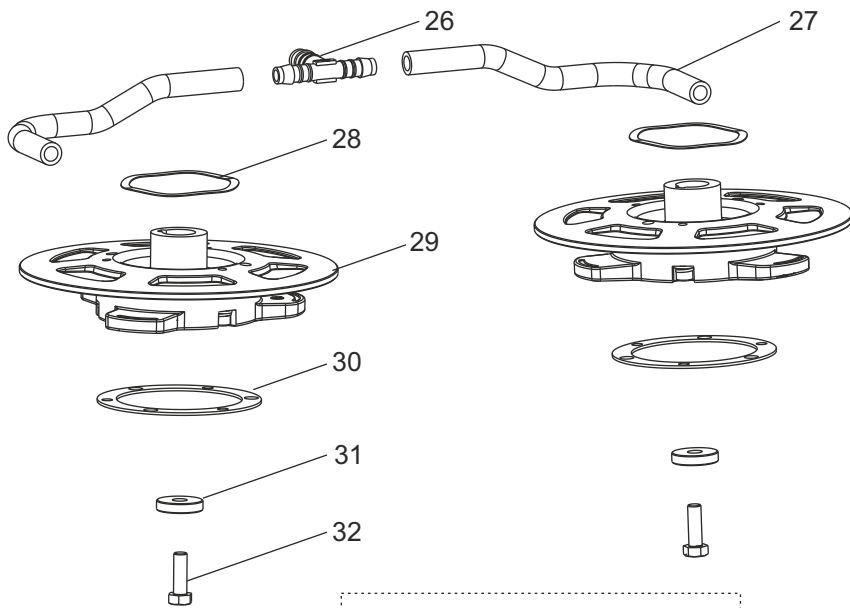
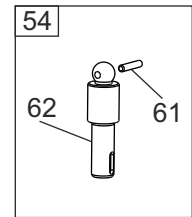
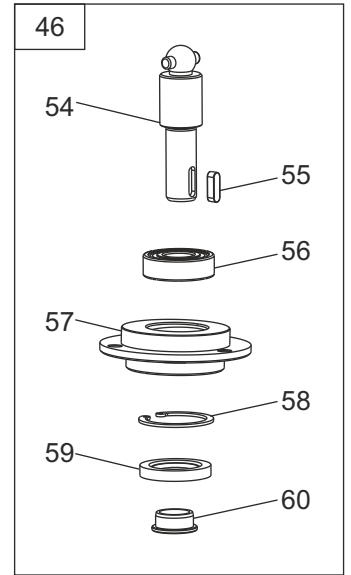
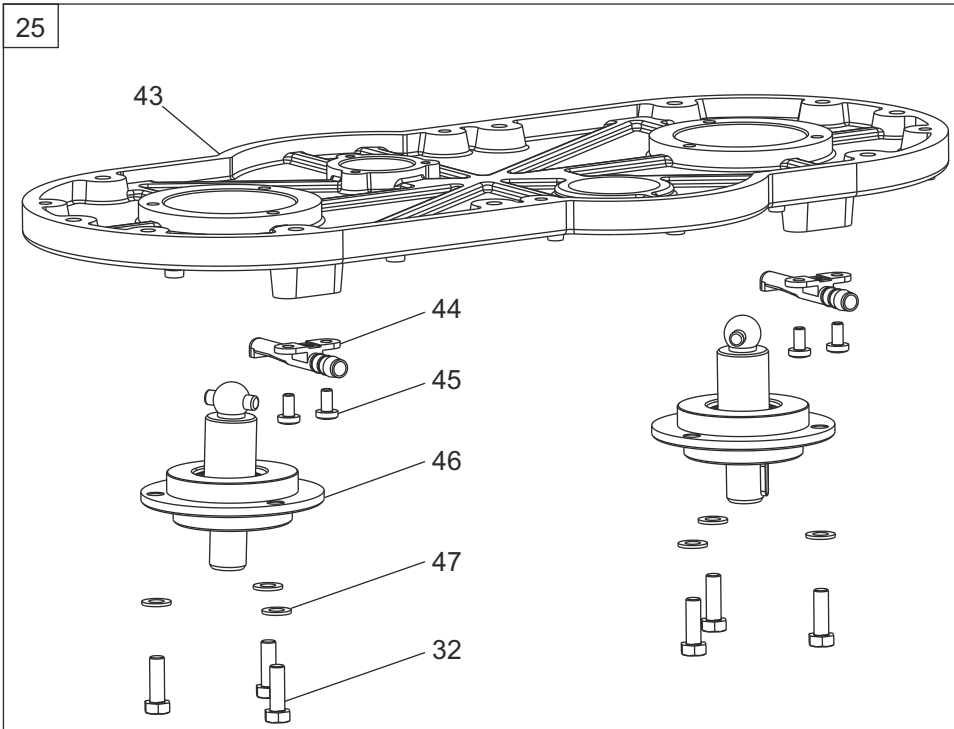
| REF.NO | PART NO | DESCRIPTION | QTY |
|--------|--------------|-------------------------------------|-----|
| 34 | 553350493-00 | THIRD ARM SECTOR - E600 | 1 |
| 35 | 558350437-00 | EYE BOLT ASSY EB450 | 1 |
| 36 | 552040012-00 | HEX HEAD SCREW - SS 304 - M8 X 55 | 2 |
| 37 | 553350693-00 | STUD - THIRD ARM EB450 | 1 |
| 38 | 553350694-00 | EYE BOLT LH - EB450 | 1 |
| 39 | 553350695-00 | EYE BOLT RH - EB450 | 1 |
| 40 | 553350696-00 | BUSH THIRD ARM - EB450 | 2 |
| 41 | 553350704-00 | HEX NUT - STEEL - (LH THREAD) - M10 | 1 |
| 42 | 552020006-00 | HEX HEAD SCREW - M6X12 | 2 |
| 43 | 552350011-00 | WASHER-STEEL - 6.4X12.5X1.6 | 2 |
| 44 | 558350227-00 | PEDAL | 1 |
| 45 | 558350245-00 | STOPPER - PEDAL ASSY | 1 |
| 46 | 553350329-00 | STOPPER PEDAL | 1 |
| 47 | 552360010-00 | WASHER - SS304 - 5.2X10X1.6 | 2 |
| 48 | 552020003-00 | HEX HEAD SCREW - M5X10 | 2 |
| 49 | 553350281-00 | PLATE SPRING | 1 |
| 50 | 552480006-00 | HEX NYLOCK NUT-STEEL GR.6-M6-LOW | 2 |
| 51 | 552020016-00 | HEX HEAD SCREW - STEEL 8.8 - M8X20 | 4 |
| 52 | 558240046-00 | SOLENOID VALVE ASSY - BT45/60 | 1 |
| 53 | 552020007-00 | HEX HEAD SCREW - M6X16 | 2 |
| 54 | 553240031-00 | HOSE - BT 45 SOLENOID TO NOZZLE | 1 |
| 55 | 553240041-00 | MOUNTING PLATE - SOLENOID VALVE | 1 |
| 56 | 558240037-00 | SOLENIOD VALVE WITH CONNECTOR ASSY | 1 |
| 57 | 552040005-00 | HEX HEAD SCREW - SS 304 - M6 X 10 | 2 |
| 58 | 558240076-00 | CHASSIS ASSY - BT6060 | 1 |
| 59 | 553350785-00 | WASHER - CASTOR BOTTOM | 2 |
| 60 | 552350012-00 | WASHER-STEEL-6.4X18X1.6 | 2 |
| 61 | 552140008-00 | CR PAN HEAD SCREW - SS304 - M4X12 | 5 |
| 62 | 552350005-00 | WASHER-STEEL-4.3X9.0X0.8 | 5 |
| 63 | 553240058-00 | RUBBER SHEET STRIP - 60 | 1 |
| 64 | 553240057-00 | DRIVE MOTOR 60 - RUBBER SHEET | 1 |
| 65 | 552350017-00 | WASHER-STEEL-8.4X24X2 | 4 |

BRUSH HEAD GROUP



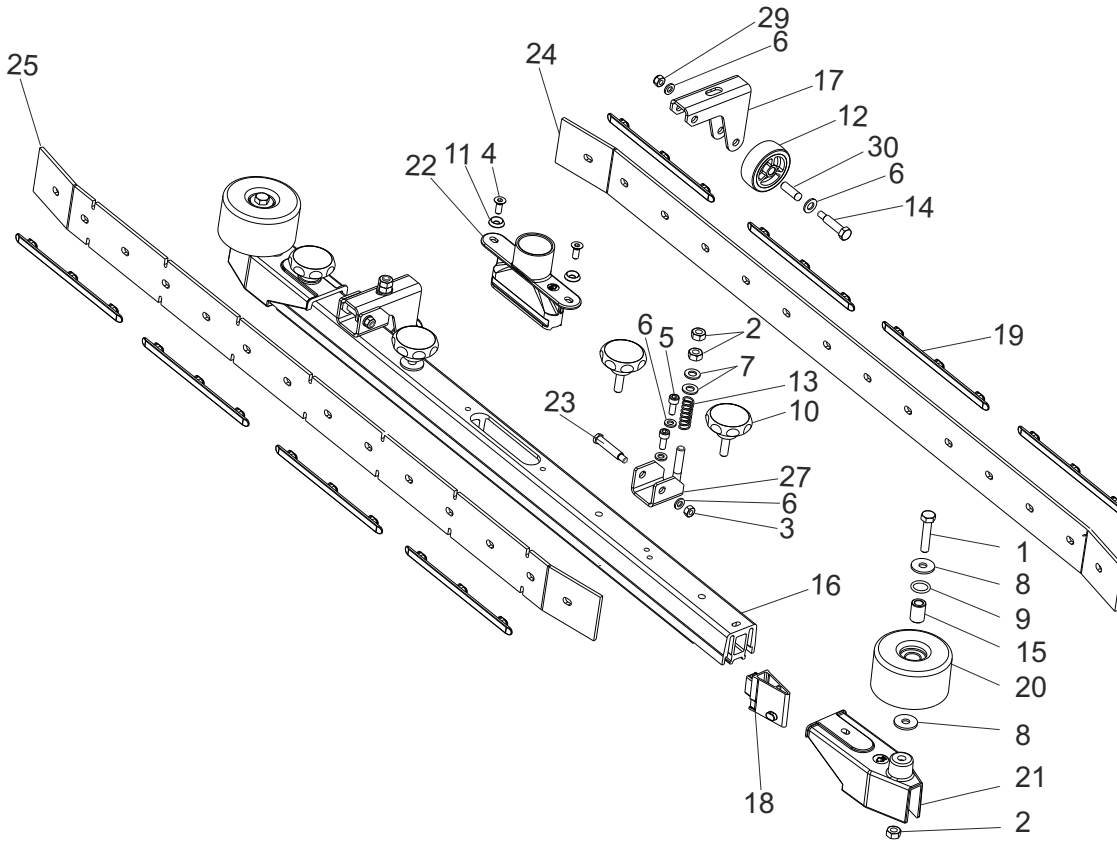
| REF. NO | PART NO | DESCRIPTION | QTY |
|---------|--------------|--------------------------------------|-----|
| 1 | 553350779-00 | PMDC GEARED MOTOR (24DC/550W) | 1 |
| 1a | 552670155-00 | CARBON BRUSH | 4 |
| 2 | 552020016-00 | HEX HEAD SCREW - STEEL 8.8 - M8X20 | 7 |
| 3 | 552360015-00 | WASHER-SS304-8.2X24X2.2 | 8 |
| 4 | 553350484-00 | COLOUMN BKT - RH | 1 |
| 5 | 553350355-00 | COLUMN BKT - LH | 1 |
| 6 | 552040028-00 | HEX HEAD SCREW SS 304 M8X 60 | 2 |
| 7 | 553350639-00 | SPACER DEFLECTOR E600 (BH) | 2 |
| 8 | 553350547-00 | DEFLECTIVE ROLLER | 4 |
| 9 | 553350519-00 | PLATE - MOUNTING (DEFLECTOR ROLLER) | 1 |
| 10 | 552020008-00 | HEX HEAD SCREW - STEEL 8.8 - M6X20 | 12 |
| 11 | 552350011-00 | WASHER-STEEL-6.4X12.5X1.6 | 12 |
| 12 | 553350736-00 | BEARING CAP IDLER - EB6060 | 2 |
| 13 | 553350726-00 | BEARING CAP - DRIVE | 2 |
| 14 | 552230006-00 | HEX SOC HEAD CAP SCREW -STEEL -M5X20 | 6 |
| 15 | 552360009-00 | WASHER-SS304-5.3X10X1 | 6 |
| 16 | 553350508-00 | FLANGE COUPLING | 2 |
| 17 | 552430018-00 | O RING - 30X2.5 | 2 |
| 18 | 558350519-00 | BRUSH HOUSING ASSY - E6060 | 1 |
| 19 | 553350486-00 | GEAR-54Z IDLER | 1 |
| 20 | 553350724-00 | SPACER GM - B6060 | 1 |
| 21 | 552230022-00 | HEX SOC HEAD CAP SCREW -STEEL -M8X25 | 8 |
| 22 | 552420006-00 | DOWEL PINS - SS304 - 8X25 | 2 |
| 23 | 552090002-00 | WAVE WASHER-39.5X34X0.4 | 1 |
| 24 | 553350478-00 | EDGE PROTECTOR-E600 | 1 |
| 25 | 558350521-00 | BOTTOM HOUSING ASSY - EB6060 | 1 |
| 26 | 553350473-00 | T JOINT-NOZZLE | 1 |
| 27 | 553350544-00 | HOSE WATER OUTLET - E600 | 2 |
| 28 | 552090001-00 | WAVE WASHER - 71X61X0.5 | 2 |
| 29 | 558350252-00 | CATCH ASSY E450/500 | 2 |
| 30 | 553350733-00 | SPACER CATCH - BATTERY VERSION | 2 |
| 31 | 553320084-00 | WASHER-CATCH | 2 |
| 32 | 552040009-00 | HEX HEAD SCREW SS 304 M8X 25 | 12 |
| 33 | 553350730-00 | BRUSH GUARD E6060 | 1 |
| 34 | 558350293-00 | IDLER GEAR ASSY | 1 |
| 35 | 558350518-00 | DRIVEN GEAR ASSY - EB6060 | 2 |

Item No. 1a is not shown in the drawing.



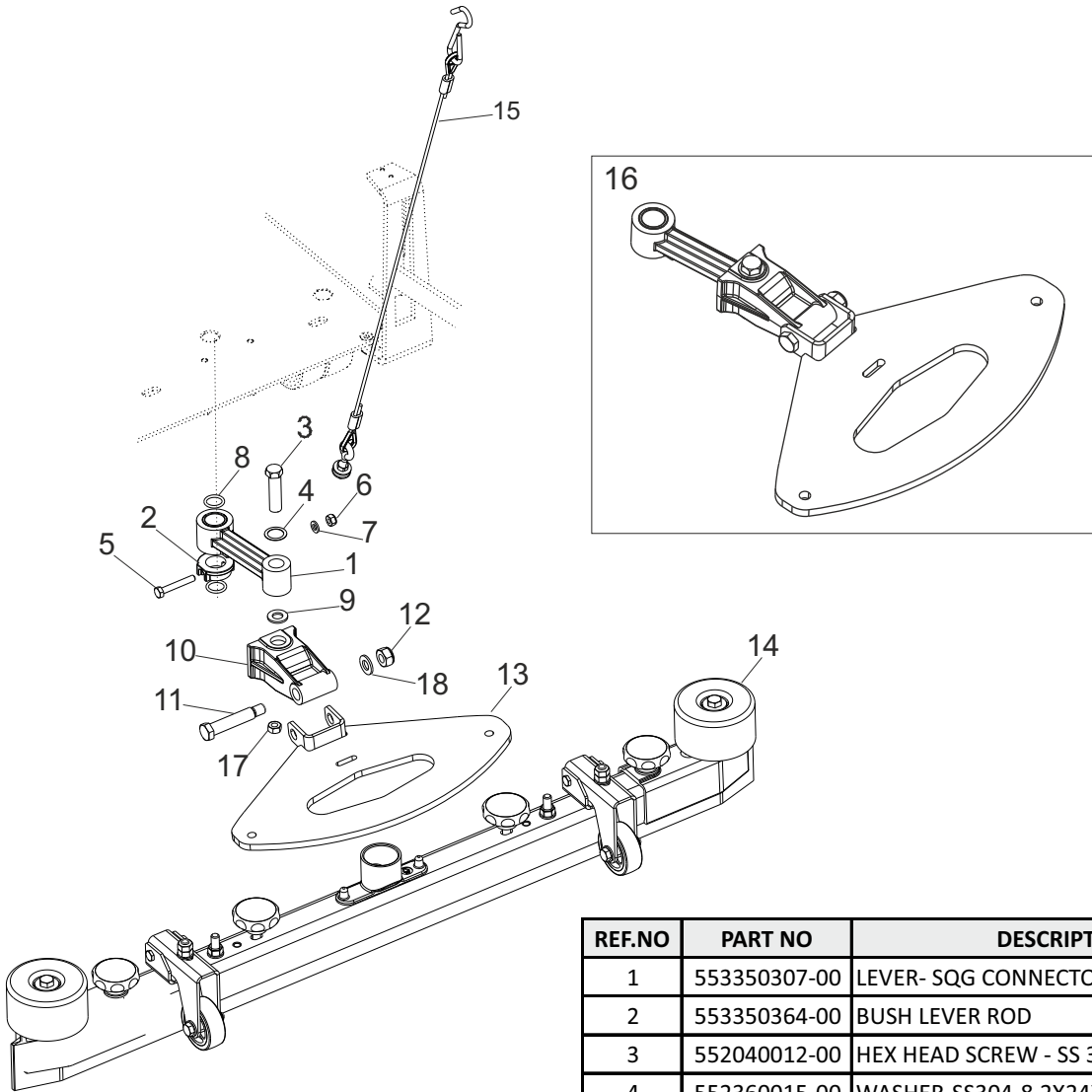
| REF. NO | PART NO | DESCRIPTION | QTY |
|--------------------|--------------|------------------------------------|-----|
| 36 | 553350477-00 | IDLER SHAFT-E600 | 1 |
| 37 | 553230014-00 | EXT CIRCLIP A17X1 | 1 |
| 38 | 553350494-00 | KEY 6X6X15 | 1 |
| 39 | 552610008-00 | DG BALL BEARING 6203-2RS | 2 |
| 40 | 553350486-00 | GEAR-54Z IDLER | 1 |
| 41 | 552610042-00 | DG - BALL BEARING - 61910 2RS | 4 |
| 42 | 553350482-00 | GEAR-54Z DRIVEN | 2 |
| 43 | 553350731-00 | HOUSING BOTTOM - E6060 | 1 |
| 44 | 553350479-00 | NOZZLE - E600 | 2 |
| 45 | 552130017-00 | CR-PAN HEAD SCREW - STEEL - M6X12 | 4 |
| 46 | 558350520-00 | PATTERN CAP ASSY - EB6060 | 2 |
| 47 | 552360013-00 | WASHER-SS304-8.4X17X1.6 | 10 |
| 48 | 553350186-00 | CATCH HOLDER | 2 |
| 49 | 553350371-00 | BRUSH LOCK | 2 |
| 50 | 553350404-00 | SLEEVE-BRUSH LOCK | 6 |
| 51 | 552360011-00 | WASHER-SS304-6.4X12.5X1.6 | 6 |
| 52 | 552520004-00 | SPRING WASHER - SS 304 - M6 | 6 |
| 53 | 552240015-00 | HEX SOC HEAD CAP SCREW-SS304-M6X25 | 6 |
| 54 | 558350310-00 | BRUSH SHAFT-ASSY | 2 |
| 55 | 553320103-00 | KEY-LONG | 2 |
| 56 | 552610004-00 | DG BALL BEARING 6204-ZZ | 2 |
| 57 | 553350732-00 | CAP PATTERN - EB6060 | 2 |
| 58 | 552670012-00 | CIRCLIP INTERNAL-LIGHT B 47 | 2 |
| 59 | 552670098-00 | OIL SEAL - 47X25X7 | 2 |
| 60 | 553350510-00 | SLEEVE - CATCH | 2 |
| 61 | 552410007-00 | DOWEL PINS-STEEL-8X30 | 2 |
| 62 | 553350461-00 | SHAFT BRUSH E600 | 2 |
| 63 | 553350723-00 | SPACER BH - B6060 | 1 |
| 64 | 553350534-00 | BRUSH BASE E600 | 2 |
| 65 | 558350409-00 | FOAM PAD KIT - E600 | 2 |
| 66 | 558350442-00 | PAD HOLDER ASSY - E6060 | 2 |
| Brush Group | | | |
| 67 | 558350341-00 | BRUSH GROUP 600 - PP | 1 |
| 68 | 558350342-00 | BRUSH GROUP 600 - NYLON - 66 | 1 |
| 69 | 558350343-00 | BRUSH GROUP 600 - SIC | 1 |

STRAIGHT SQUEEGEE GROUP



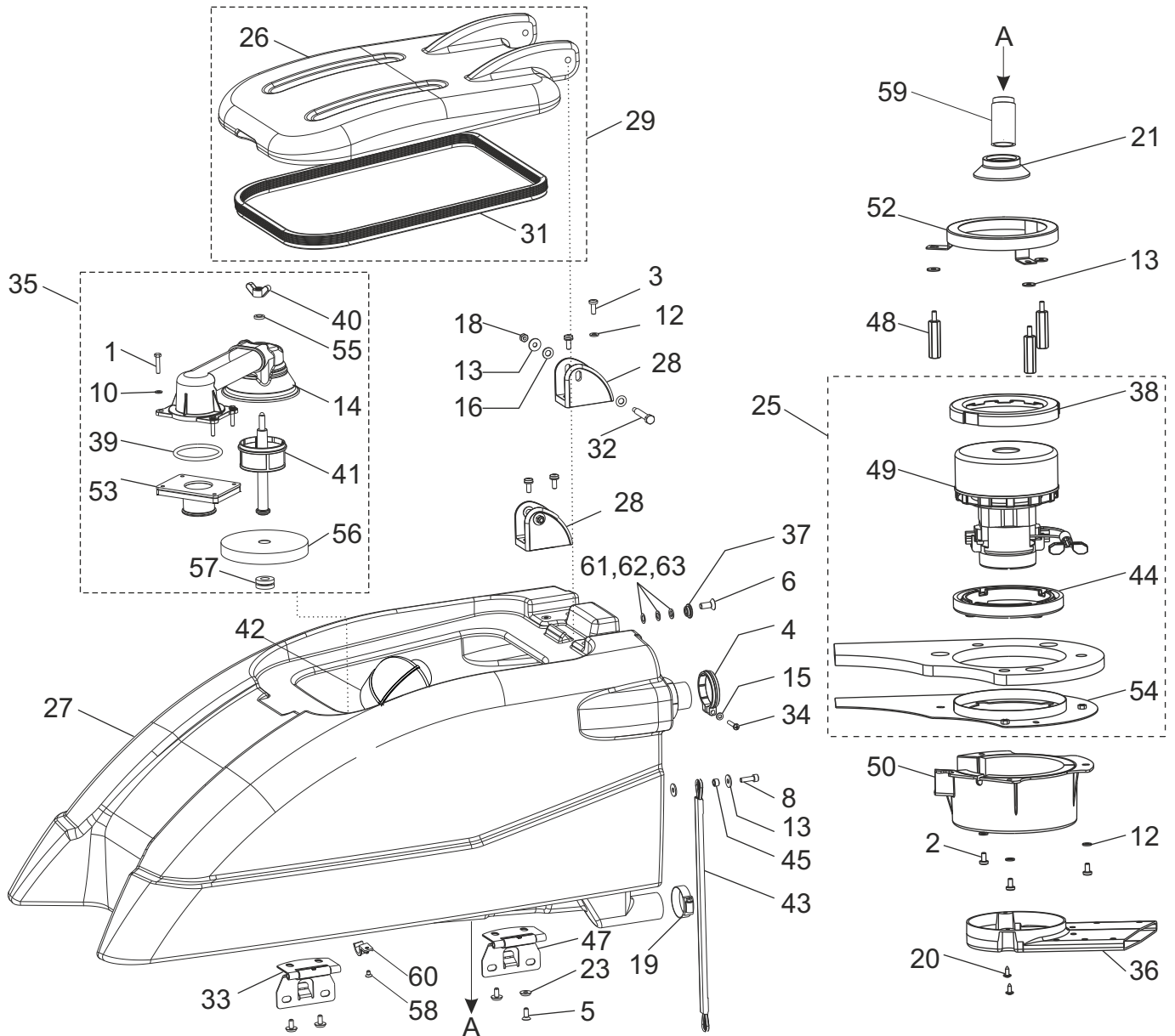
| REF.NO | PART NO | DESCRIPTION | QTY |
|--------|--------------|--------------------------------------|-----|
| 1 | 552040010-00 | HEX-HEAD-SCREW-SS304 - M8X40 | 2 |
| 2 | 552170012-00 | HEX NUT – STEELGR.8 - M8 | 6 |
| 3 | 552180005-00 | HEX NUT-STEEL - M6 | 2 |
| 4 | 552220008-00 | HEX-SOC-CSK-HD-SCREW-SS304 - M6X16 | 2 |
| 5 | 552240013-00 | HEX SOC HEAD CAP SCREW-SS304 - M6X15 | 4 |
| 6 | 552360011-00 | WASHER-SS304 - 6.4X12.5X1.6 | 10 |
| 7 | 552360013-00 | WASHER-SS305 - 8.4X17X1.6 | 3 |
| 8 | 552360015-00 | WASHER-SS306 - 8.2X24X2.2 | 4 |
| 9 | 552430014-00 | O RING - 15X2.5 | 2 |
| 10 | 558350358-00 | KNOB ASSY | 4 |
| 11 | 553310122-00 | WASHER - DEFLECTOR | 2 |
| 12 | 558320140-00 | WHEEL – SQUEEGEE | 2 |
| 13 | 553310207-00 | SPRING - PILLER SQG. | 2 |
| 14 | 552040007-00 | HEX HEAD SCREW SS304 - M6X40 | 2 |
| 15 | 553350492-00 | SPACER DEFLECTOR – E600 | 2 |

| REF.NO | PART NO | DESCRIPTION | QTY |
|--------|--------------|----------------------------------|-----|
| 16 | 553350559-00 | BODY SQUEEGEE STRAIGHT | 1 |
| 17 | 553350565-00 | BRACKET - SQG WHEEL | 2 |
| 18 | 553350566-00 | SQUEEGEE END CAP | 2 |
| 19 | 553350567-00 | STRIP LIP LOCK | 8 |
| 20 | 553350568-00 | DEFLECTOR ROLLER | 2 |
| 21 | 553350569-00 | SQUEEGEE LIP GUIDE | 2 |
| 22 | 553350570-00 | SUCTION PORT | 1 |
| 23 | 553350571-00 | PIN-SQG CASTOR | 2 |
| 24 | 553350572-00 | LIP-OUTER 850 | 1 |
| 25 | 553350573-00 | LIP-INNER 850 | 1 |
| 26 | 558350352-00 | DEFLECTOR ROLLER SQG ASSY | 2 |
| 27 | 558350354-00 | BRACKET SQG-WELDMENT | 2 |
| 28 | 558350355-00 | BRACKET SQG ASSY | 2 |
| 29 | 552480006-00 | HEX NYLOCK NUT-STEEL GR.6-M6-LOW | 2 |
| 30 | 553320406-00 | SLEEVE-CASTOR WHEEL-PARABOLIC | 2 |



| REF.NO | PART NO | DESCRIPTION | QTY |
|--------|--------------|-----------------------------------|-----|
| 1 | 553350307-00 | LEVER- SQG CONNECTOR | 1 |
| 2 | 553350364-00 | BUSH LEVER ROD | 1 |
| 3 | 552040012-00 | HEX HEAD SCREW - SS 304 - M8 X 55 | 1 |
| 4 | 552360015-00 | WASHER-SS304-8.2X24X2.2 | 2 |
| 5 | 552040007-00 | HEX HEAD SCREW SS304 - M6X40 | 1 |
| 6 | 552480006-00 | HEX NYLOCK NUT-STEEL GR.6-M6-LOW | 1 |
| 7 | 552350011-00 | WASHER-STEEL - 6.4X12.5X1.6 | 1 |
| 8 | 552430014-00 | O RING - 15X2.5 | 2 |
| 9 | 552360016-00 | WASHER SS304 - 10.5X20X2 | 2 |
| 10 | 553350582-00 | COUPLING LEVER ROD | 1 |
| 11 | 553350119-00 | PIVOT PIN SQG LOCK | 1 |
| 12 | 552480012-00 | NYLOCK NUT - M10 | 1 |
| 13 | 558350360-00 | SWIVEL PLATE WELDEMENT | 1 |
| 14 | 558350353-00 | SQUEEGE 850 ST | 1 |
| 15 | 558350463-00 | SQG ROPE ASSY - B6060 | 1 |
| 16 | 558350359-00 | CONNECTING LEVER ASSY – SQG | 1 |
| 17 | 552480008-00 | HEX NYLOCK NUT STEEL -M8 | 1 |
| 18 | 553350639-00 | SPACER DEFLECTOR E600 (BH) | 1 |

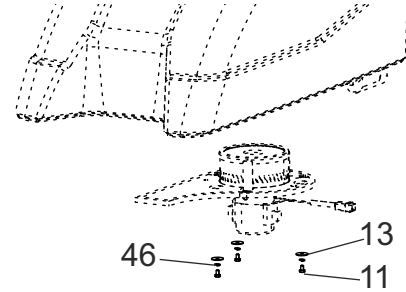
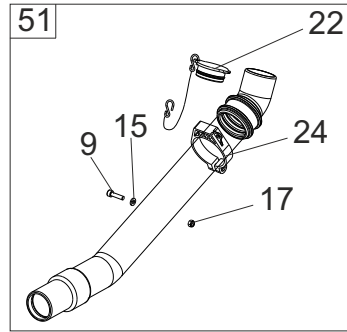
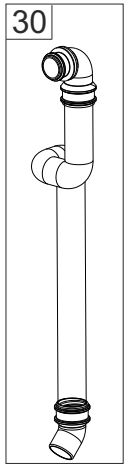
COLLECTION TANK & SUCTION TURBINE



| REF.NO | PART NO | DESCRIPTION | QTY |
|--------|--------------|----------------------------------|-----|
| 1 | 552040021-00 | HEX-HEAD-SCREW-SS304 - M5X25 | 4 |
| 2 | 552130017-00 | CR-PAN HEAD SCREW STEEL M6X12 | 2 |
| 3 | 552130018-00 | CR-PAN HEAD SCREW STEEL M6X16 | 8 |
| 4 | 553310303-00 | CLAMP HOSE | 1 |
| 5 | 552220008-00 | HEX-SOC-CSK-HD-SCREW-SS304 M6X16 | 8 |
| 6 | 552220012-00 | HEXSOC CSKHD SCREW-SS304 M8X20 | 1 |
| 7 | 553350218-00 | CORD CLAMP | 1 |
| 8 | 552230012-00 | HEX SOC HD CAP SCREW-STEEL-M6X20 | 1 |
| 9 | 552240008-00 | HEX-SOC-HD-CAP-SCREW-SS304-M5X20 | 1 |

| REF.NO | PART NO | DESCRIPTION | QTY |
|--------|--------------|-------------------------------------|-----|
| 10 | 552350008-00 | WASHER-STEEL - 5.3X10X1 | 4 |
| 11 | 552040008-00 | HEX HEAD SCREW SS304 M6 X 15 | 3 |
| 12 | 552350011-00 | WASHER-STEEL - 6.4X12.5X1.6 | 7 |
| 13 | 552350012-00 | WASHER-STEEL - 6.4X18X1.6 | 10 |
| 14 | 558350530-00 | HOUSING WITH SUCTION UNIT | 1 |
| 15 | 552360010-00 | WASHER-SS304 - 5.2X10X1.6 | 2 |
| 16 | 552360013-00 | WASHER SS304 - 8.4X17X1.6 | 4 |
| 17 | 552480005-00 | HEX NYLOCK NUT-STEEL GR.8 -LOW - M5 | 1 |
| 18 | 552480006-00 | HEX-NYLOCK-NUT-STEEL - M6 | 2 |
| 19 | 552670022-00 | HOSE CLAMP - 32 - 45 | 1 |

COLLECTION TANK & SUCTION TURBINE

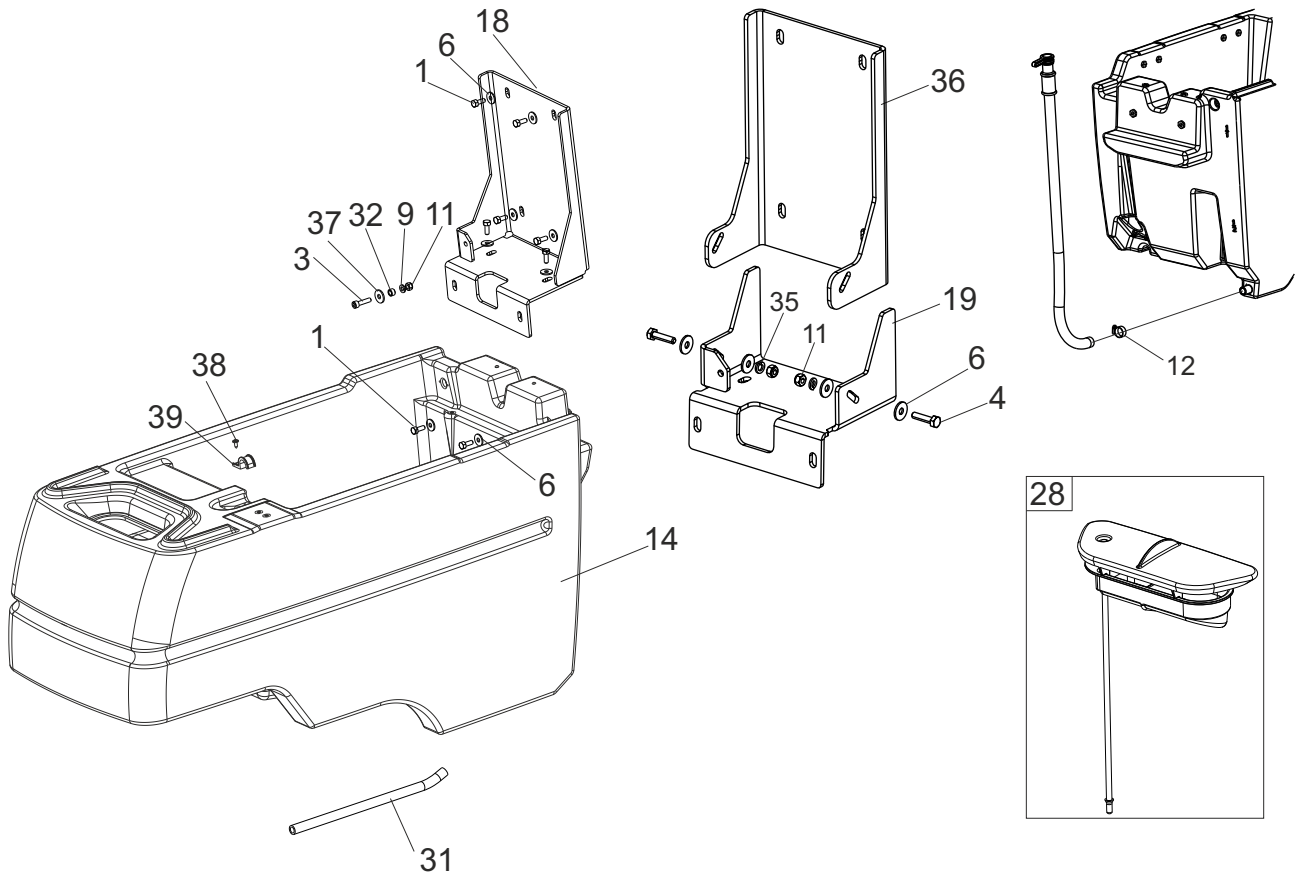


| REF.NO | PART NO | DESCRIPTION | QTY |
|--------|--------------|-----------------------------------------|-----|
| 20 | 553210109-00 | SELF TAPPING SCREW W/COLLAR 4.8X13 | 2 |
| 21 | 553320233-00 | SEAL VM INLET | 1 |
| 22 | 558320053-00 | CAP WITH CHAIN ASSY | 1 |
| 23 | 553250009-00 | WASHER-BRIDGE | 8 |
| 24 | 553320588-00 | CLAMP - DRAIN HOSE | 1 |
| 25 | 558350598-00 | VM ASSY - B6050 | 1 |
| 26 | 553350629-00 | TOP COVER | 1 |
| 27 | 553350637-00 | COLLECTION TANK E500 | 1 |
| 28 | 553350123-00 | HINGE TOP COVER | 2 |
| 29 | 558350396-00 | TOP COVER ASSY | 1 |
| 30 | 558350536-00 | SUCTION HOSE ASSY-EB50/45 | 1 |
| | 558350576-00 | HOSE KIT ASSY - EB50/45 (OIL RESISTANT) | 1 |
| 31 | 553350125-00 | GASKET- TOP COVER | 1 |
| 32 | 553350128-00 | LOCKING PIN -TOP COVER | 2 |
| 33 | 558350071-00 | HINGE ASSY SS E40/60 | 1 |
| 34 | 552290003-00 | CRPH SELF TAPPING SCREW-STEEL-4.8X25 | 1 |
| 35 | 558350462-00 | FLOAT KIT E4545 - 6050 | 1 |
| 36 | 553350382-00 | DUCT-HOUSING-VM-INLET | 1 |
| 37 | 553350755-00 | LOCKING BUSH - CT | 1 |
| 38 | 553350789-00 | GASKET TOP - VM | 2 |
| 39 | 552430029-00 | O-RING - 60X5 | 1 |
| 40 | 552670135-00 | WING NUT (PLASTIC) - M8 | 1 |
| 41 | 553350760-00 | FLOAT GUIDE | 1 |
| 42 | 558350537-00 | FLOW DIVERTOR ASSY | 1 |

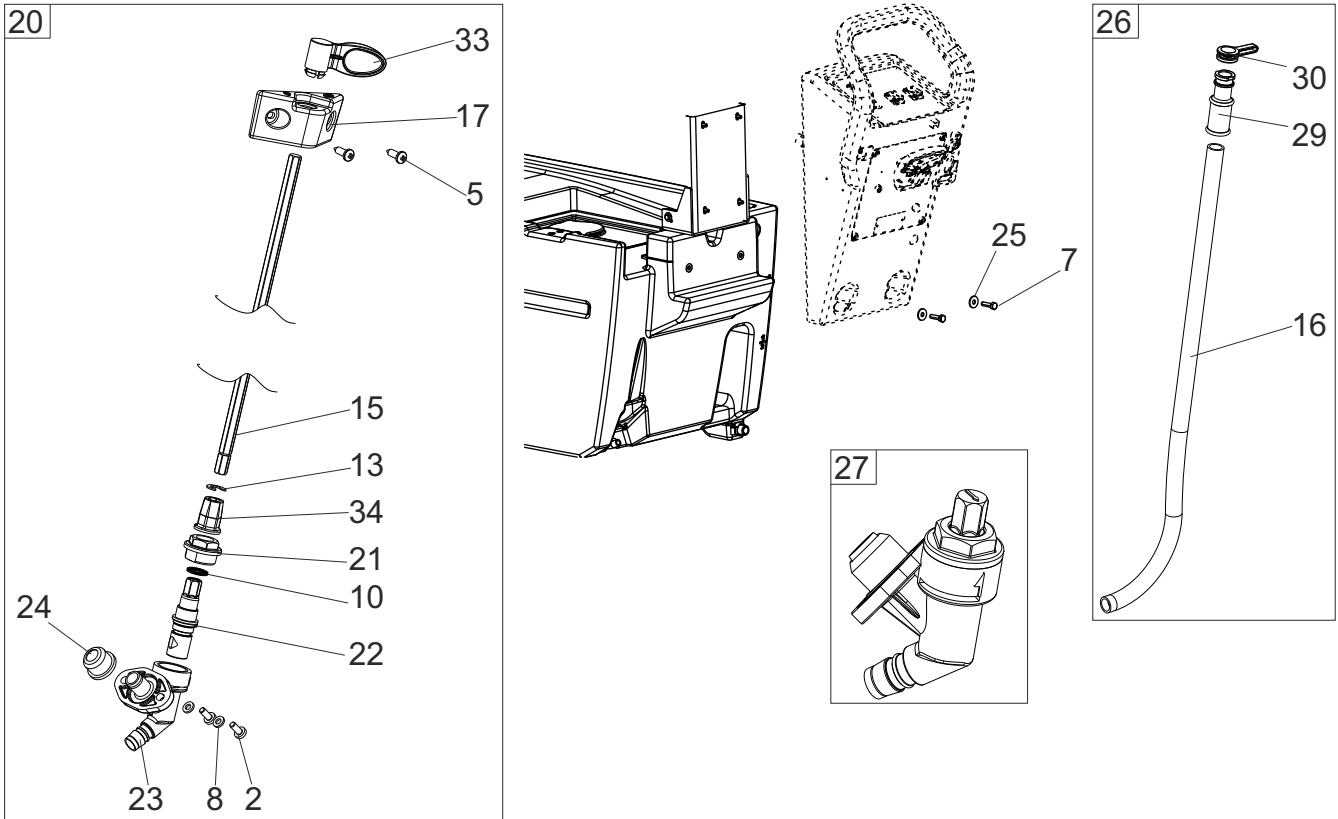
| REF.NO | PART NO | DESCRIPTION | QTY |
|------------------------|--------------|--------------------------------------|-----|
| 43 | 558350417-00 | ROPE ASSY-CT T O CU | 1 |
| 44 | 553350788-00 | GASKET BOTTOM - VM | 1 |
| 45 | 553350529-00 | SPACER ROPE CT | 1 |
| 46 | 552520004-00 | SPRING WASHER SS304 M6 | 3 |
| 47 | 558350421-00 | HINGE ASSY - EB450 | 1 |
| 48 | 553350790-00 | STUD VM - 45/60 | 3 |
| 49 | 558350573-00 | VM WITH CONNECTOR ASSY - 24V | 1 |
| 49a | 552670146-00 | CARBON BRUSH SET - VACUUM MOTOR | 2 |
| 50 | 558350241-00 | HOUSING-EXHAUST -VM | 1 |
| 51 | 558350248-00 | DRAIN HOSE | 1 |
| 52 | 558350592-00 | RING VM WELDMENT - 45/60 | 1 |
| 53 | 558350262-00 | FLANGE-VM | 1 |
| 54 | 558350594-00 | PLATE SUPPORT VM WELDMENT - EB6050 | 1 |
| 55 | 553350766-00 | GASKET FLOAT | 1 |
| 56 | 553350422-00 | FLOAT - 4060 | 1 |
| 57 | 553350424-00 | GROMMET-VM | 1 |
| 58 | 552220007-00 | HEX SOC CSK HD SCREW - SS304 - M6X10 | 1 |
| 59 | 553350391-00 | SPLIT | 1 |
| 60 | 553350218-00 | CORD CLAMP | 1 |
| Optional Washer | | | |
| 61 | 553350762-00 | OPTIONAL WASHER LOCKING BUSH 0.5MM | 1 |
| 62 | 553350763-00 | OPTIONAL WASHER LOCKING BUSH 1.0MM | 1 |
| 63 | 553350764-00 | OPTIONAL WASHER LOCKING BUSH 1.6MM | 1 |

Note: Item No 49a not shown in figure.

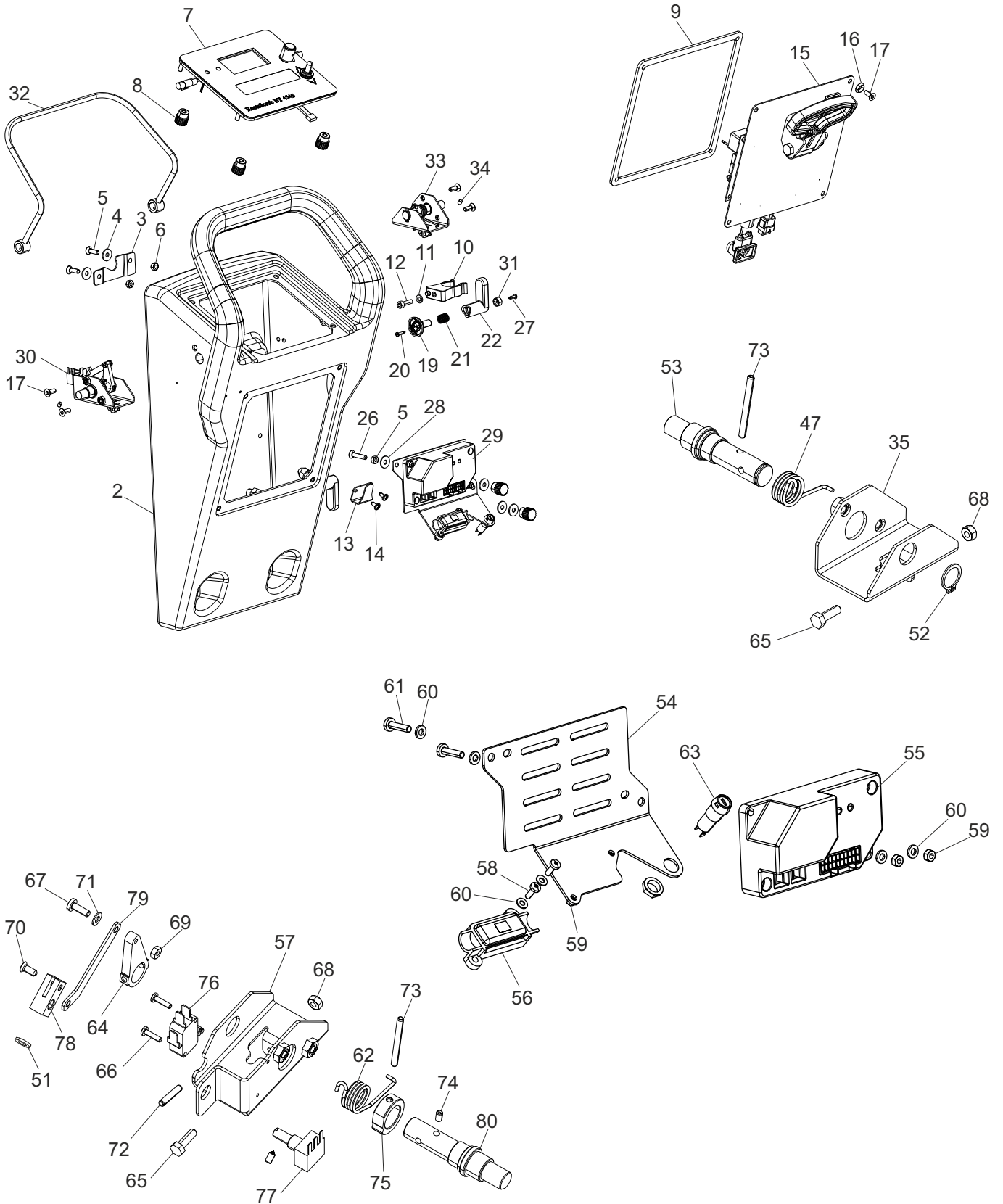
FRESH WATER TANK



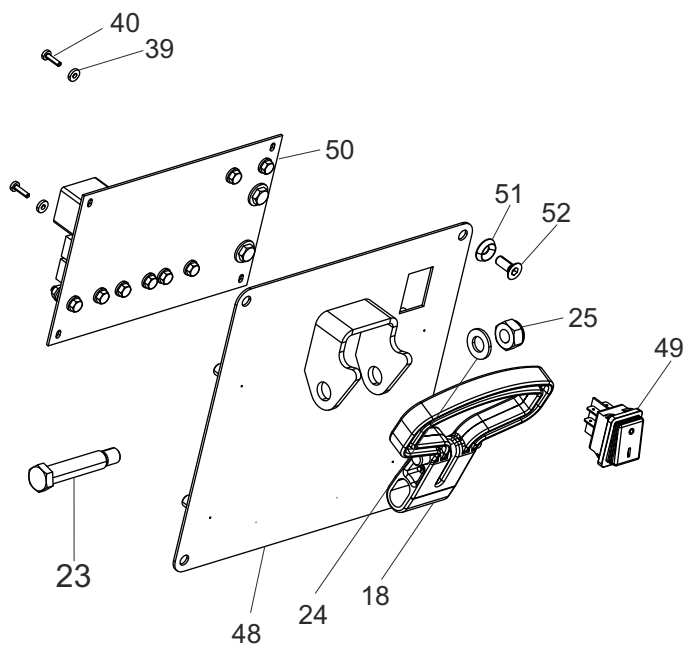
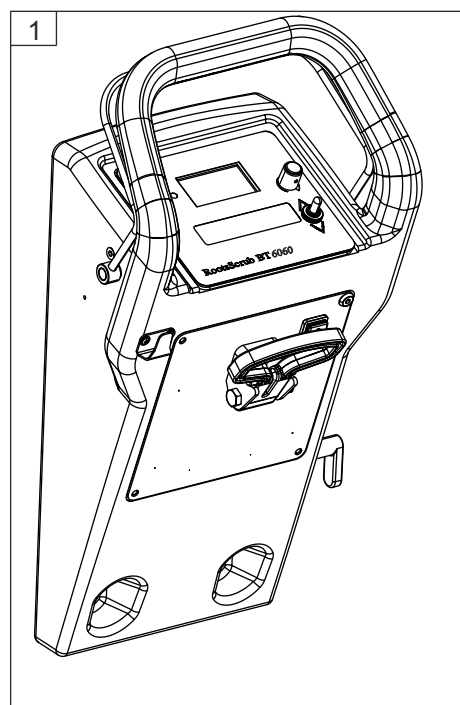
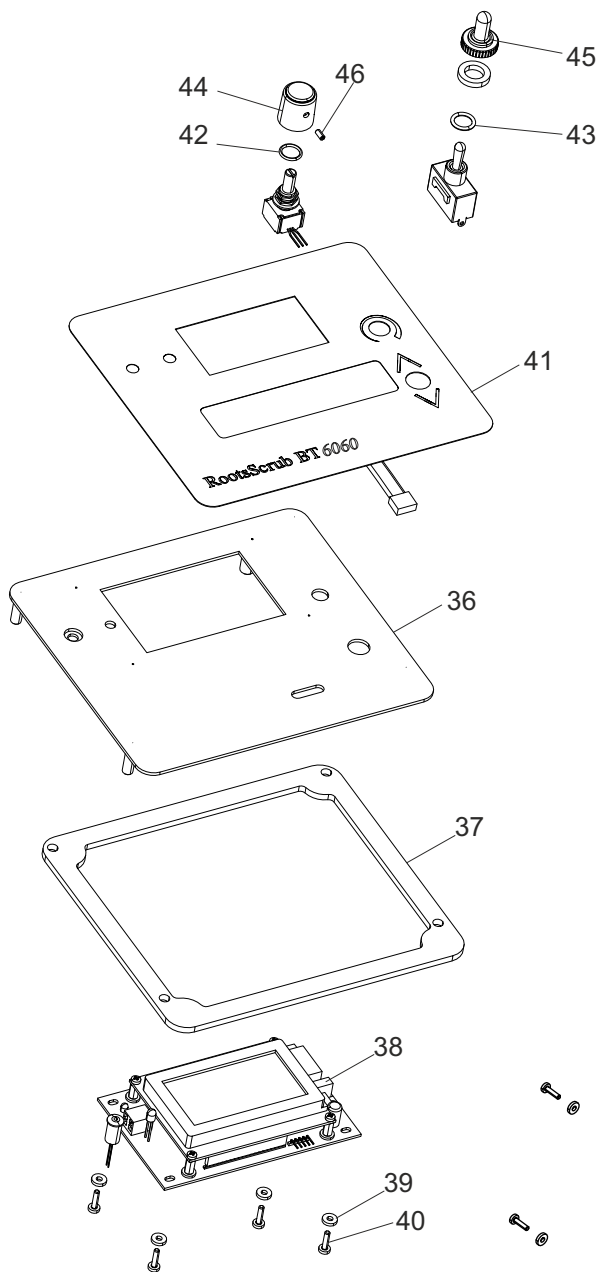
| REF.NO | PART NO | DESCRIPTION | QTY |
|--------|--------------|---------------------------------------|-----|
| 1 | 552020007-00 | HEX-HEAD – SCREW - M6X16 | 6 |
| 2 | 552130011-00 | CR PAN HEAD SCREW - STEEL - M5X12 | 2 |
| 3 | 552240015-00 | HEX SOC HEAD CAP SCREW-SS304-M6X25 | 1 |
| 4 | 552020009-00 | HEX HEAD SCREW - STEEL 8.8 - M6X25 | 2 |
| 5 | 552290005-00 | CRPH SELF TAPPING SCREW-STEEL-4.8X 13 | 2 |
| 6 | 552350012-00 | WASHER - 6.4X18X1.6 | 10 |
| 7 | 552040029-00 | HEX HEAD SCREW SS 304 M8X30 | 2 |
| 8 | 552360010-00 | WASHER-SS304 - 5.2X10X1.6 | 2 |
| 9 | 552360011-00 | WASHER-SS305 - 6.4X12X1.6 | 1 |
| 10 | 552430020-00 | QUAD RING- (ORANGE) - 10X2 | 1 |
| 11 | 552480006-00 | HEX-NYLOCK-NUT-STEEL - M6 | 3 |
| 12 | 552670054-00 | HOSE CLAMP - 25-35 | 1 |
| 13 | 552670102-00 | CIRCLIP - E7 | 1 |
| 14 | 553350661-00 | FRESH TANK B6060 | 1 |
| 15 | 553240059-00 | HEX LEVER VALVE - BT60 | 1 |
| 16 | 553350721-00 | HOSE-WATER LEVEL - B6060 | 1 |
| 17 | 553350649-00 | COVER FLOW INDICATOR | 1 |
| 18 | 558350529-00 | BRACKET ASSY – B6060 | 1 |
| 19 | 553350759-00 | BRACKET - BOTTOM UNIT - B6060 | 1 |
| 20 | 558240090-00 | VALVE KIT BT6050 | 1 |



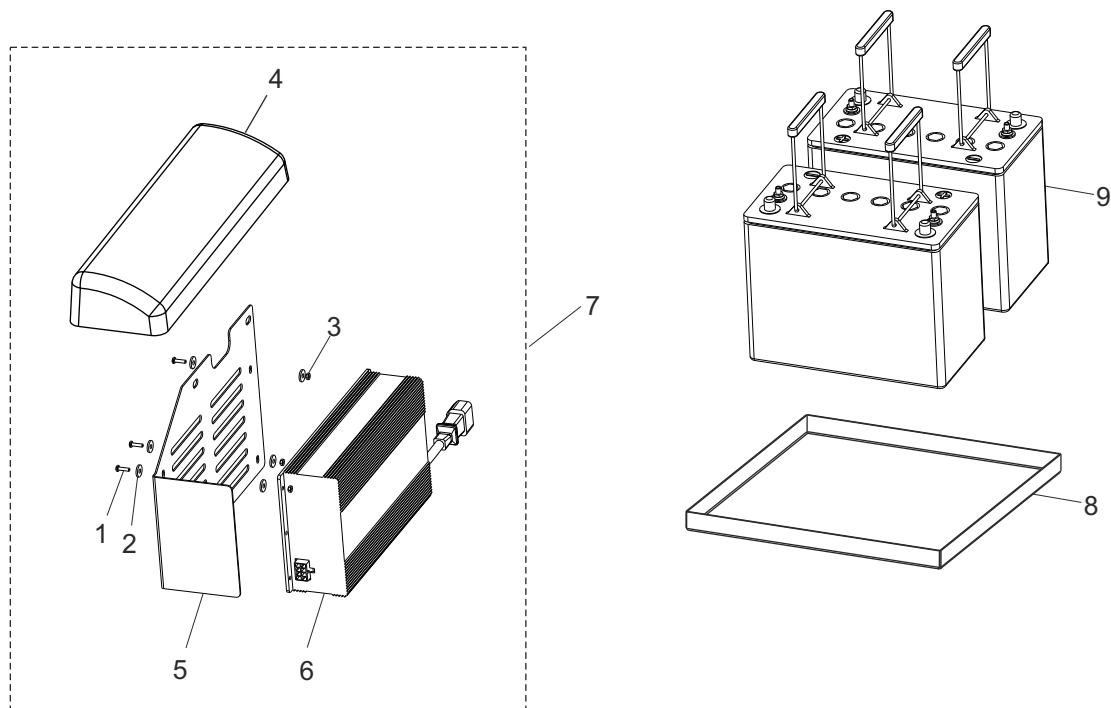
| REF.NO | PART NO | DESCRIPTION | QTY |
|--------|--------------|------------------------------------|-----|
| 21 | 553350675-00 | CAP-VALVE BODY | 1 |
| 22 | 553350676-00 | VALVE-CONTROLLER | 1 |
| 23 | 553350677-00 | VALVE-BODY | 1 |
| 24 | 553350678-00 | GASKET – VALVE | 1 |
| 25 | 552350017-00 | WASHER-STEEL-8.4X24X2 | 2 |
| 26 | 558350458-00 | OUTLET DRAIN HOSE - B6060 | 1 |
| 27 | 558350406-00 | VALVE ASSY | 1 |
| 28 | 558350440-00 | FILTER WITH COVER | 1 |
| 29 | 553350109-00 | BODY-DRAIN HOSE | 1 |
| 30 | 553350226-00 | CAP-DRAIN HOSE | 1 |
| 31 | 553240039-00 | HOSE - BT 60 VALVE - SOLENOID | 1 |
| 32 | 553350529-00 | SPACER ROPE CT | 1 |
| 33 | 553350546-00 | KNOB - VALVE HANDLE | 1 |
| 34 | 553350556-00 | CAP ACTUATOR | 1 |
| 35 | 552510004-00 | SPRING WASHER STEEL - M6 | 2 |
| 36 | 553350756-00 | BRACKET - TOP | 1 |
| 37 | 552350015-00 | WASHER-STEEL-7.0X20X2 | 1 |
| 38 | 553210109-00 | SELF TAPPING SCREW W/COLLAR 4.8X13 | 1 |
| 39 | 553350218-00 | CORD CLAMP | 1 |



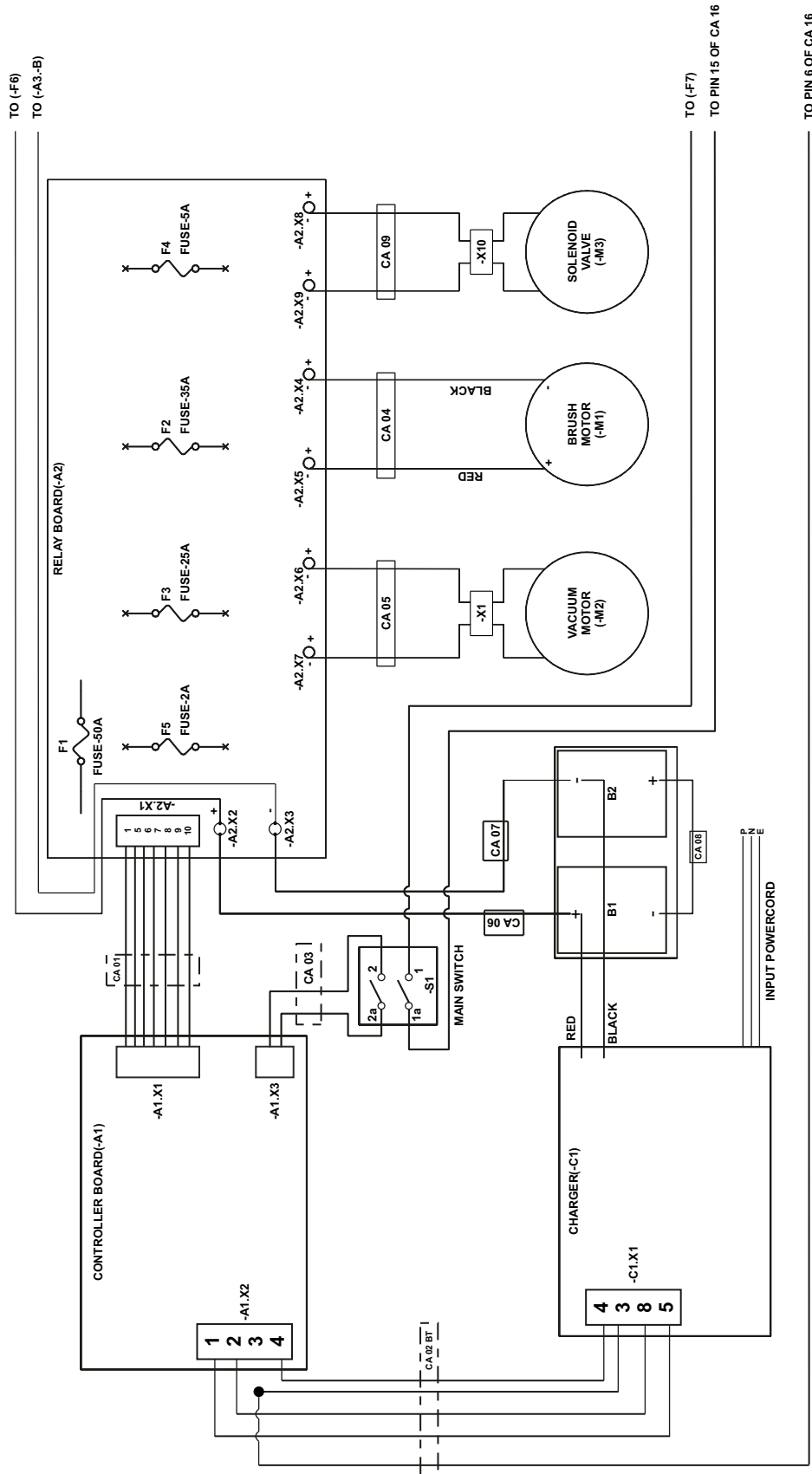
| REF.NO | PART NO | DESCRIPTION | QTY |
|--------|--------------|-----------------------------------------|-----|
| 1 | 558240078-00 | CONTROL UNIT ASSY - BT6060 | 1 |
| 2 | 553240053-00 | CONTROL UNIT BT6050 | 1 |
| 3 | 553350754-00 | BRACKET LOCK CONTROL UNIT | 1 |
| 4 | 552360022-00 | WASHER-SS 304 - 6.4X18X1.6 | 2 |
| 5 | 552220009-00 | HEX SOC CSK HD SCREW-SS - M6X20 | 2 |
| 6 | 552170009-00 | HEX NUT - STEEL GR. 8 - M6 | 4 |
| 7 | 558240077-00 | PANEL BOARD ASSY BT6060 | 1 |
| 8 | 558320138-00 | KNOB-LIP | 6 |
| 9 | 553230010-00 | GASKET FRAME | 1 |
| 10 | 553350108-00 | HOSE CLAMP - CONTROL UNIT | 1 |
| 11 | 552350011-00 | WASHER - 6.4X12.5X1.6 | 1 |
| 12 | 552230012-00 | HEX SOC HD CAP SCREW - M6X20 | 1 |
| 13 | 553350086-00 | HOOK- DRAIN HOSE | 1 |
| 14 | 553210109-00 | SELF TAPPING SCREW W/COLLAR - 4.8X13 | 2 |
| 15 | 558350317-00 | REAR PANEL ASSY-B450 | 1 |
| 16 | 553250009-00 | WASHER-BRIDGE | 4 |
| 17 | 552220008-00 | HEX SOC CSK HD SCREW-SS - M6X16 | 8 |
| 18 | 553350120-00 | SQUEEGEE LIFTING HANDLE | 1 |
| 19 | 553350607-00 | HOLDER - B450 | 2 |
| 20 | 552280006-00 | CRPH SELF TAPPING SCREW-SS 304 - 3.5X16 | 2 |
| 21 | 553250090-00 | SPRING - CABLE HOLDER | 2 |
| 22 | 553250243-00 | KNOB-TANK HOLDER-LH | 2 |
| 23 | 553350119-00 | PIVOT PIN - SQG LOCK | 1 |
| 24 | 552350018-00 | WASHER - 10.5X20X2 | 1 |
| 25 | 552480012-00 | NYLOC NUT - M10 | 1 |
| 26 | 552210008-00 | HEX SOC CSK HD SCREW - M6X30 | 2 |
| 27 | 552280002-00 | CRPH SELF TAPPING SCREW-SS 304- 3.5X13 | 2 |
| 28 | 552350012-00 | WASHER - 6.4X18X1.6 | 4 |
| 29 | 558240012-00 | CONTROLLER ASSY | 1 |
| 30 | 558240008-00 | DEADMAN SWITCH ASSY - LHS | 1 |
| 31 | 553250091-00 | WASHER-CABLE HOLDER | 2 |
| 32 | 558240011-00 | LEVER WELDMENT - BT | 1 |
| 33 | 558240010-00 | DEADMAN BKT ASSY- RHS | 1 |
| 34 | 552700004-00 | HEX SOC HD GRUB SCREW -ST - M5X6 | 2 |
| 35 | 558240009-00 | MOUNTING BKT DMS WELDMENT - RHS | 1 |
| 36 | 558240020-00 | PANEL WELDMENT-BT | 1 |
| 37 | 553350708-00 | GASKET PANEL | 1 |
| 38 | 553350523-00 | CONTROLLER BOARD-B450 | 1 |
| 39 | 552670128-00 | FIBER WASHER - 3.5X8.5X1.8 | 8 |
| 40 | 552130002-00 | PAN HEAD SCREW - M3X12 | 8 |

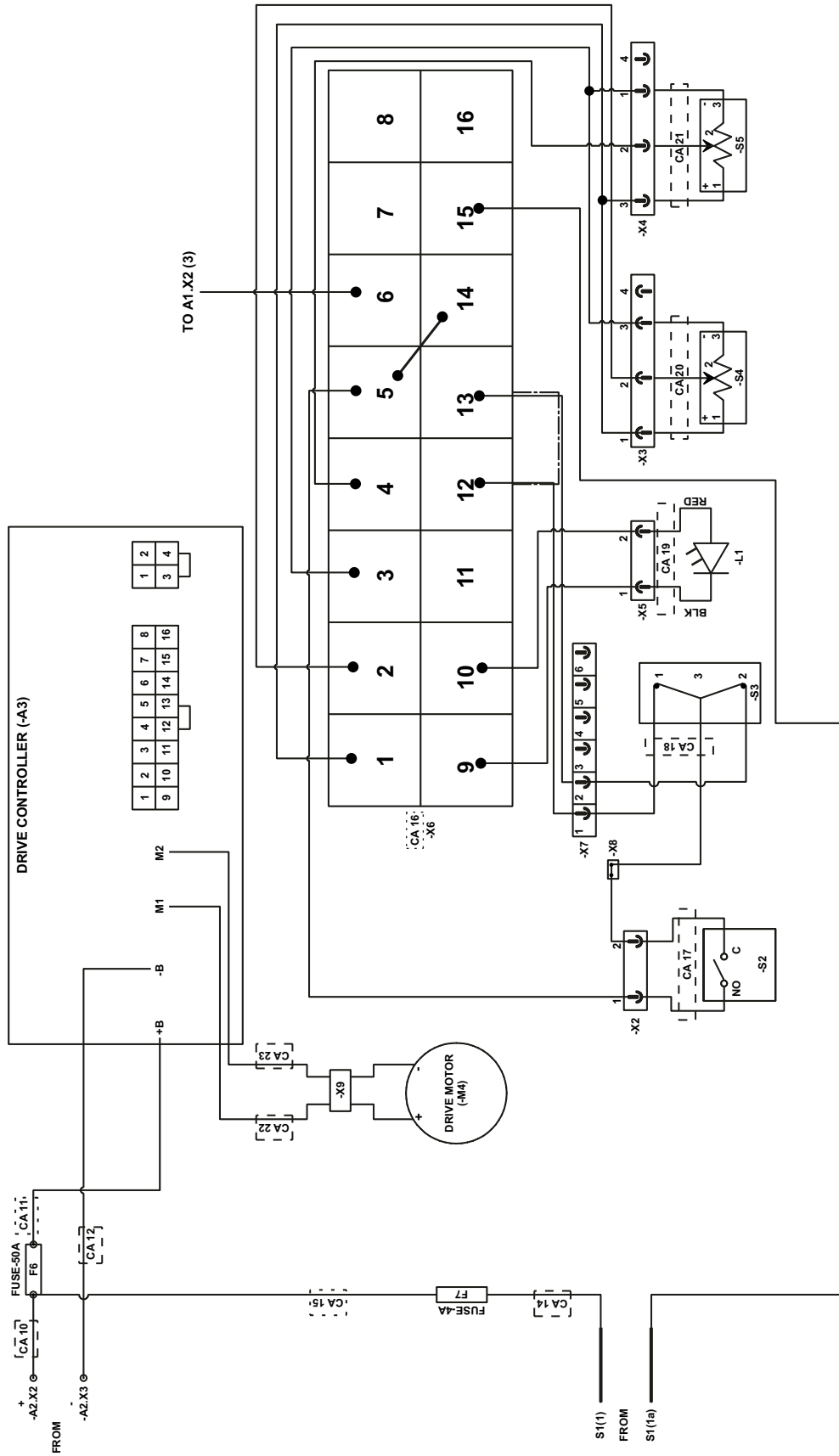


| REF.NO | PART NO | DESCRIPTION | QTY |
|--------|--------------|-----------------------------------------|-----|
| 41 | 557240030-00 | KEY PAD STICKER - BT6060 (DOMESTIC) | 1 |
| 42 | 552430010-00 | O - RING - 10X1.5 | 1 |
| 43 | 552430015-00 | O RING - 12X2.0 | 1 |
| 44 | 553320598-00 | CAP POTENTIO METER | 1 |
| 45 | 553320591-00 | SEAL CAP (TOGGLE SWITCH) | 1 |
| 46 | 552350002-00 | GRUB SCREW - M3X6 | 1 |
| 47 | 553240024-00 | SPRING DMS - RHS | 1 |
| 48 | 558350316-00 | REAR COVER-WD-B450 | 1 |
| 49 | 553350070-00 | SWITCH - VM AND PUMP | 1 |
| 50 | 558350388-00 | RELAY BOARD ASSY - B450 | 1 |
| 51 | 552250012-00 | HEX LOCK NUT STEEL M4 | 1 |
| 52 | 552670108-00 | CIRCLIP - A14 | 1 |
| 53 | 553240020-00 | BUSH DMS - RHS | 1 |
| 54 | 553240027-00 | BRACKET CONTROLLER | 1 |
| 55 | 553240028-00 | DRIVE CONTROLLER - BT4560 | 1 |
| 56 | 553320469-00 | FUSE HOLDER - 50 | 1 |
| 57 | 558240007-00 | MOUNTING BKT DMS WELDMENT - LHS | 1 |
| 58 | 552130005-00 | CR PAN HEAD SCREW - STEEL M4X12 | 2 |
| 59 | 552170005-00 | HEX NUT - STEEL GR.8 - M4 | 4 |
| 60 | 552350005-00 | WASHER-STEEL-4.3X9.0X0.8 | 8 |
| 61 | 552130007-00 | CR PAN HEAD SCREW - STEEL - M4X16 | 2 |
| 62 | 553240022-00 | SPRING DMS - LHS | 1 |
| 63 | 553320339-00 | FUSE HOLDER - 6.3A | 1 |
| 64 | 553240021-00 | DRIVE LEVER - DMS | 1 |
| 65 | 552020005-00 | HEX HEAD SCREW - STEEL 8.8 - M5X16 | 2 |
| 66 | 552130002-00 | CR PAN HEAD SCREW M3X12 | 2 |
| 67 | 552140008-00 | CR PAN HEAD SCREW M4X12 | 1 |
| 68 | 552170006-00 | HEX NUT STEEL | 2 |
| 69 | 552180003-00 | HEX NUT - SS304 - M4 | 1 |
| 70 | 552020041-00 | HEX HEAD SCREW - STEEL 8.8 - M4X10 | 1 |
| 71 | 552350005-00 | WASHER-STEEL-4.3X9.0X0.8 | 1 |
| 72 | 552450003-00 | SPRING DOWEL PIN - STEEL - 4 X 20 | 1 |
| 73 | 552450004-00 | SPRING DOWEL PIN - STEEL - 4 X 45 | 2 |
| 74 | 552690004-00 | HEX SOC GRUB SCREW SS304 M4 X8 | 2 |
| 75 | 553100125-00 | CAM ACCELERATOR ASSY | 1 |
| 76 | 553100126-00 | LIMIT SWITCH ACCELERATOR | 1 |
| 77 | 553100127-00 | POTENTIOMETER | 1 |
| 78 | 553240054-00 | LEVER POTENTIOMETER - BT6050 | 1 |
| 79 | 553240046-00 | CONNECTING LEVER POTENTIOMETER - BT6050 | 1 |
| 80 | 553240019-00 | BUSH DMS - LHS | 1 |

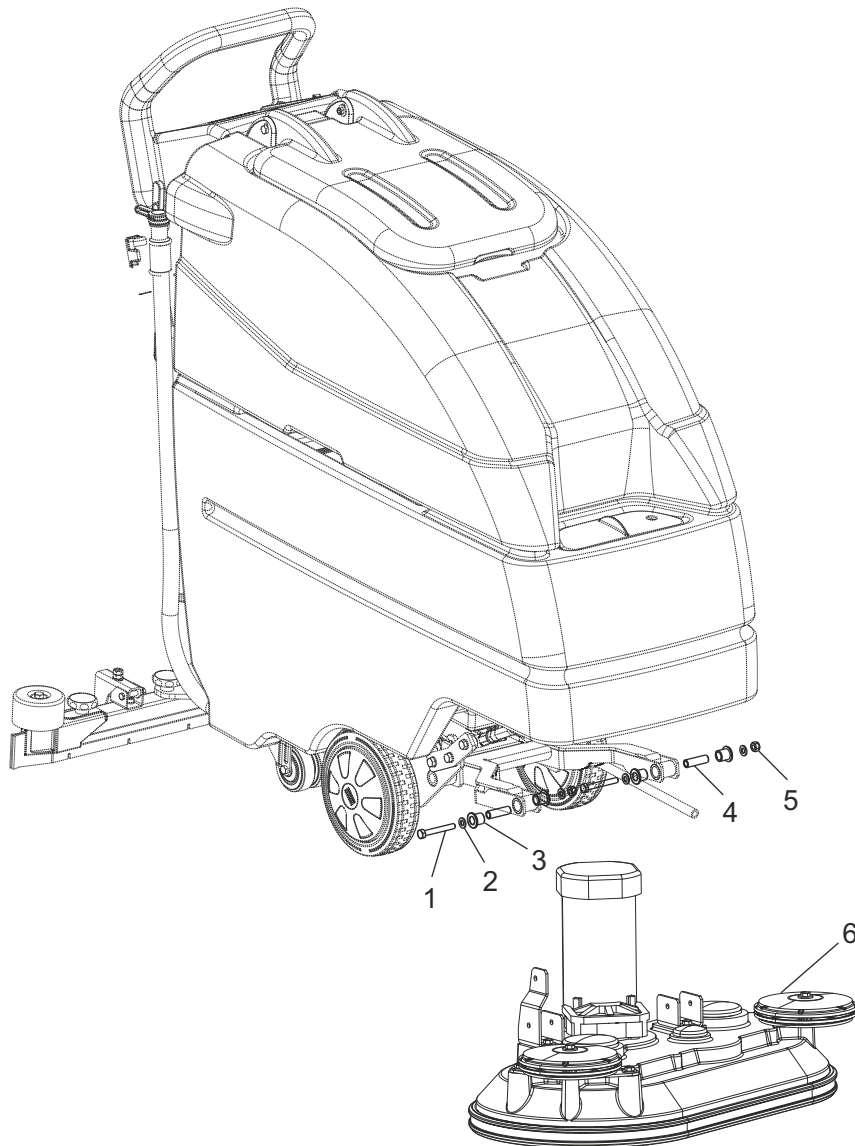


| REF.NO | PART NO | DESCRIPTION | QTY |
|--------|--------------|-------------------------------------|-----|
| 1 | 552130002-00 | CR-PAN-HEAD-SCREW-STEEL - M3X12 | 4 |
| 2 | 552360005-00 | WASHER-STEEL - 4.2X12X1.6 | 6 |
| 3 | 552180002-00 | HEX NUT - STEEL - M3 | 4 |
| 4 | 553350765-00 | COVER - CHARGER | 1 |
| 5 | 553350719-00 | BRACKET CHARGER - B6060 | 1 |
| 6 | 558350438-00 | CHARGER SPE 20A - ASSY B4545 | 1 |
| 7 | 558350456-00 | CHARGER ASSY - B6060 | 1 |
| 8 | 553350805-00 | BATTERY SUPPORT - B6050 | 1 |
| 9 | 553350605-00 | BATTERY 2 X 12V-96AH (LA Battery) | 2 |
| | 553350692-00 | BATTERY - 12V 119AH (AGM Battery) | 2 |

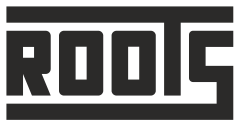




| LEGEND | PART NO | DESCRIPTION |
|----------|--------------|-------------------------------------------------------------------------|
| -A1 | - | CONTROLLER BOARD |
| -A2 | - | RELAY BOARD |
| -A3 | - | DRIVE CONTROLLER |
| -B1 | - | BATTERY 1 |
| -B2 | - | BATTERY 2 |
| -C1 | - | CHARGER |
| -S1 | - | SWITCH - VM & PUMP |
| -S2 | - | LIMIT SWITCH ACCELERATOR |
| -S3 | - | TOGGLE SWITCH (FNR) |
| -S4 | - | POTENTIOMETER 5K |
| -S5 | - | POTENTIOMETER 100K |
| -M1 | - | PMDC GEARED MOTOR |
| -M2 | - | VACUUM MOTOR WITH CONNECTOR ASSY - 24V |
| -M3 | - | SOLENOID VALVE ASSY - BT |
| -M4 | - | DRIVE MOTOR ASSY |
| CA 01 | 558350377-00 | CABLE ASSY - CA 01 - (CB(-A1.X1) TO RB (-A2.X1)) |
| CA 02 BT | 558240027-00 | CABLE ASSY - CA 02 - (CB(-A1.X2) TO CHARGER (-C1.X1)), DRIVE CONTROLLER |
| CA 03 | 558350379-00 | CABLE ASSY - CA 03 (CB(-A1.X3) TO MAIN SWITCH (-S1)) |
| CA 04 | 558350538-00 | CABLE ASSY - CA 04 (RB(-A2.X4, -A2.X5) TO BM-M1) |
| CA 05 | 558350381-00 | CABLE ASSY - CA 05 (RB(-A2.X6, -A2.X7) TO VM-X1)) |
| CA 06 | 558350382-00 | CABLE ASSY - CA 06 (RB(-A2.X2) TO BATTERY (-B1+VE)) |
| CA 07 | 558350383-00 | CABLE ASSY - CA 07 (RB(-A2.X3) TO BATTERY (-B2-VE)) |
| CA 08 | 558350384-00 | CABLE ASSY - CA 08 (BL(-BL(-B1-VE) TO BL(-B2+VE)) |
| CA 09 | 558240023-00 | CABLE ASSY - CA 09 - BT 45/60 |
| CA 10 | 558240024-00 | CABLE ASSY - CA 10 - BT 45/60 |
| CA 11 | 558240025-00 | CABLE ASSY - CA 11 - BT 45/60 |
| CA 12 | 558240026-00 | CABLE ASSY - CA 12 - BT 45/60 |
| CA 14 | 558240028-00 | CABLE ASSY - CA 14 - BT 45/60 |
| CA 15 | 558240029-00 | CABLE ASSY - CA 15 - BT 45/60 |
| CA 16 | 558240030-00 | CABLE ASSY - CA 16 - BT 45/60 |
| CA 17 | 558240031-00 | CABLE ASSY - CA 17 - BT 45/60 |
| CA 18 | 558240032-00 | CABLE ASSY - CA 18 - BT 45/60 |
| CA 19 | 558240033-00 | CABLE ASSY - CA 19 - BT 45/60 |
| CA 20 | 558240034-00 | CABLE ASSY - CA 20 - BT 45/60 |
| CA 21 | 558240035-00 | CABLE ASSY - CA 21 - BT 45/60 |
| CA 22 | 558240036-00 | CABLE ASSY - CA 22 - BT 45/60 |
| CA 23 | 558240036-00 | CABLE ASSY - CA 23 - BT 45/60 |
| F1 | 553320470-00 | FUSE - 50A |
| F2 | 553310413-00 | FUSE - 35A |
| F3 | 553320471-00 | FUSE - 25A |
| F4 | 553320472-00 | FUSE - 5A |
| F5 | 553320600-00 | FUSE - 2A |
| F6 | 553320470-00 | FUSE - 50A |
| F7 | 553350454-00 | FUSE -T4A |
| -L1 | - | TRANSPARENT RED 3MM LED WITH HOLDER |



| REF.NO | PART NO | DESCRIPTION | QTY |
|--------|--------------|------------------------------|-----|
| 1 | 552040028-00 | HEX HEAD SCREW SS 304 M8X 60 | 2 |
| 2 | 552350016-00 | WASHER-STEEL-9.0X17X1.6 | 4 |
| 3 | 553350357-00 | BUSH INNER - ARM | 4 |
| 4 | 553350359-00 | SLEEVE - ARM | 2 |
| 5 | 552480008-00 | HEX NYLOCK NUT STEEL -M8 | 2 |
| 6 | 558350460-00 | DOUBLE BRUSH HEAD - B6060 | 1 |



Roots Multiclean Ltd.
R.K.G. Industrial Estate, Ganapathy,
Coimbatore - 641 006, India.

Phone: +91 (422) 4330 330
E-mail: rmclsales@rootsemail.com
Web: rootsmulticlean.in
Toll Free: 1800 425 1330