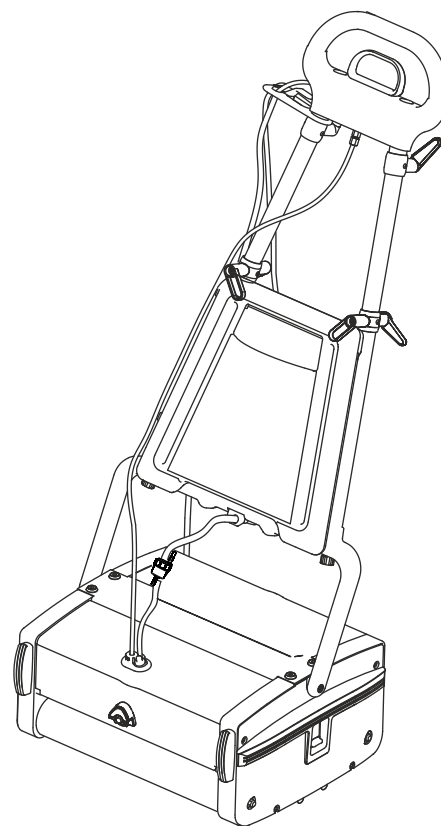
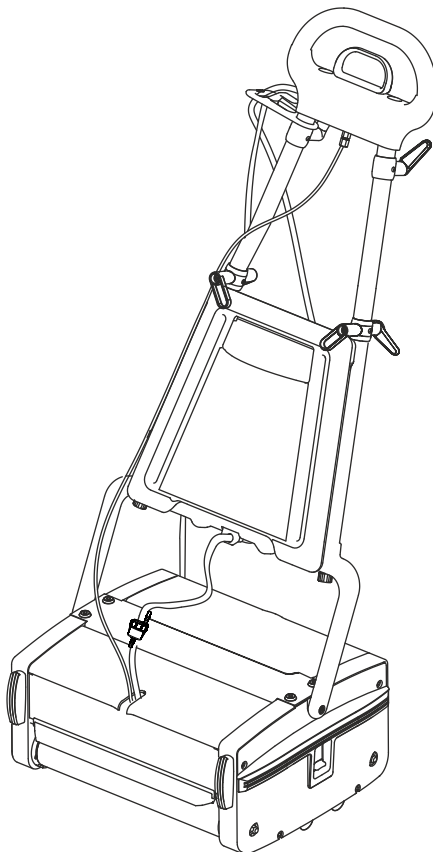
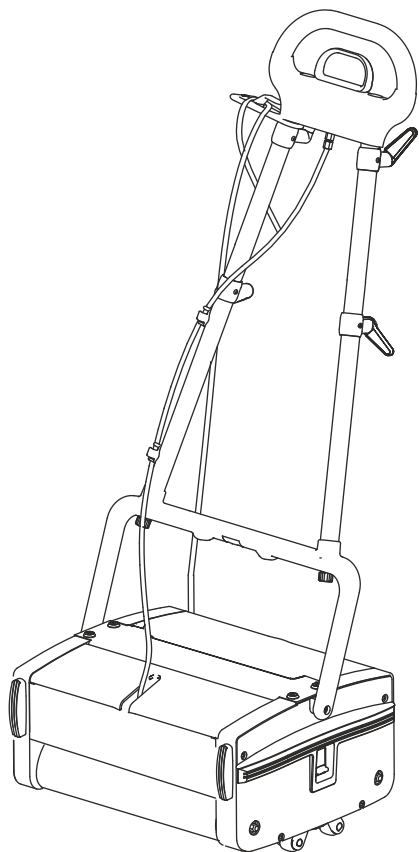


Wizzard - 34N, 34T & 34P

Mini Floor Scrubber



230V/50Hz

Illustrated Parts List

Description	Page No.	Description	Page No.
Introduction	4	Tank Assembly	12
Know Your Machine	5	Lever & Guide Link Mechanism	16
Housing - Drive Side	6	Handle Assembly	17
Housing - Idle Side	8	Motor, Drum & Bridge Assembly	21
Electrical Group	10	Accessories	23

Roots Multiclean Ltd (RMCL) is not liable for any legal claims that may arise as a direct or indirect result of the contents of this manual.

Roots Multiclean Ltd.
RKG Industrial Estate,
Coimbatore - 641 006,
India

Preface

Dear Customer,

We are pleased with your having chosen the **Wizzard 34N, 34T & 34P** machine for your floor cleaning requirements. Backed by our industry expertise that spans across decades, we assure you that the machine comes with our Roots promise of quality, efficiency and performance.

We advise you to carefully read through the instructions prior to the operation of the machine. This manual contains detailed instructions for the proper operation of the machine, along with important information regarding its handling, care, maintenance and service needs.

We are sure that you will find the machine and its performance to your utmost satisfaction. Once again, we thank you for choosing Roots Multiclean as a trusted partner for your cleaning requirements and solutions.

Usage and Handling

Use of the product beyond the specified scope of functioning is deemed improper and the manufacturer cannot be held liable for any damages which may arise due to this.

This machine may be used only by persons who are trained or are familiar with the machine and are aware of the possible hazards involved. The appropriate Accident Prevention Regulations as well as applicable general regulations pertaining to Safety and Health at the work place must be adhered to by the user.

Modifications made to machine without the manufacturer's consent will relieve the manufacturer of responsibility and any possible liability for consequential damage.

Notes on Domestic Warranty

Please refer to the **Limited Warranty card supplied along with the machine** for additional information. This Warranty Policy is applicable only for the product sold within India. If the product requires repair or maintenance work to be performed, please ensure that you get the machine serviced from an authorised service center or dealer of RMCL to ensure that the warranty is not void.

Acceptance of the Machine

On arrival of the machine at the shipping address, please check for any damage that may have occurred as a result of transit. In the event of any such damage, the purchaser is bound by responsibility to send a claim letter to the concerned RMCL branch/dealer with a copy of the invoice. The letter should be sent within 24 hours of receipt of the machine.

The Manual

All information contained is without obligation. Roots Multiclean Ltd (RMCL) particularly reserves the right to modify any equipment, technical specifications, colours, shapes, materials and the like so as to adapt them to local conditions all without previous announcement and without giving reasons. RMCL may stop manufacturing certain models without previous notice.

The Owner's Manual corresponds to the latest information available for this machine at the time it was printed. Minor deviations resulting from enhancements of the design cannot be entirely represented.

The Owner's Manual is an integral part of the machine and must not be misplaced.

Roots reserves the right to change the product or contents of this manual without prior information.

For Battery, Motors, Engines and other OEM components related kindly refer to their manufacturers manual supplied along with the machine for instructions regarding usage, maintenance and service.

Please note down the serial number of your machine below:

Serial number:

Date of commissioning:

Note:

- This manual includes the Instructions & Spare parts for **34N, 34T & 34P** models.
- We have specified the Model No. in some contents/instructions.
- If Model No. has not been specified, the instruction will be applicable to all models.



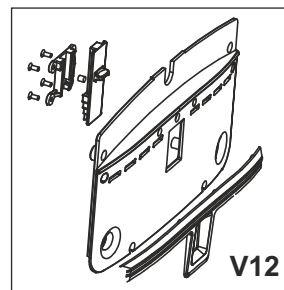
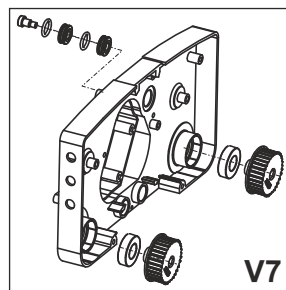
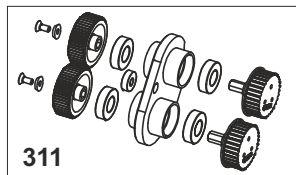
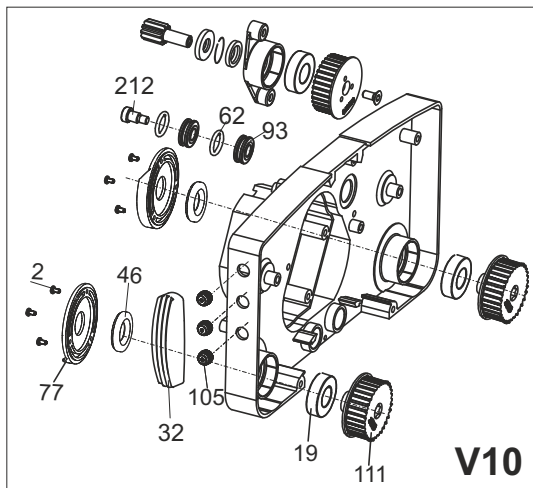
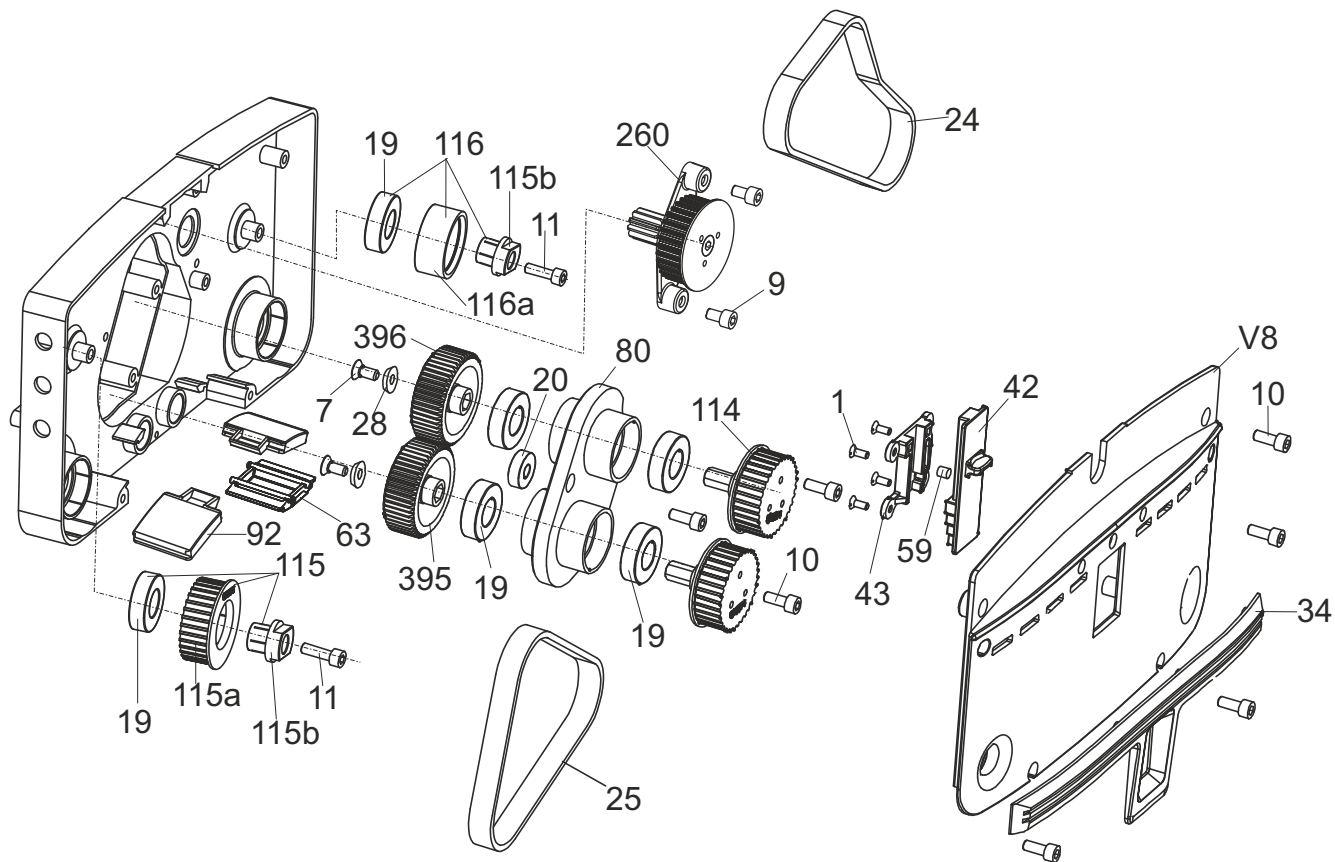
Wizaard 34N



Wizaard 34T



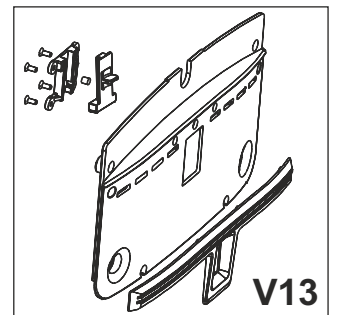
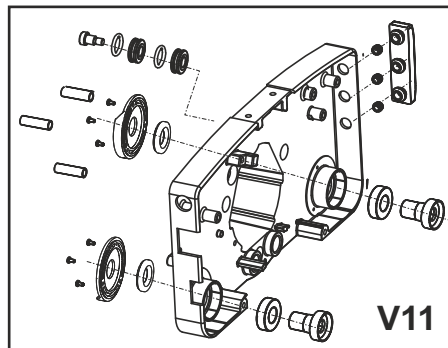
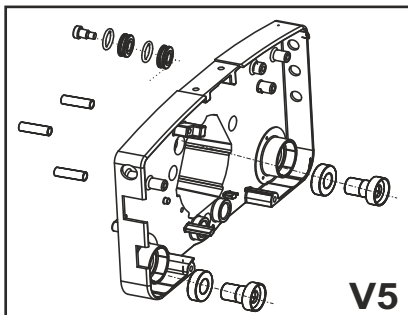
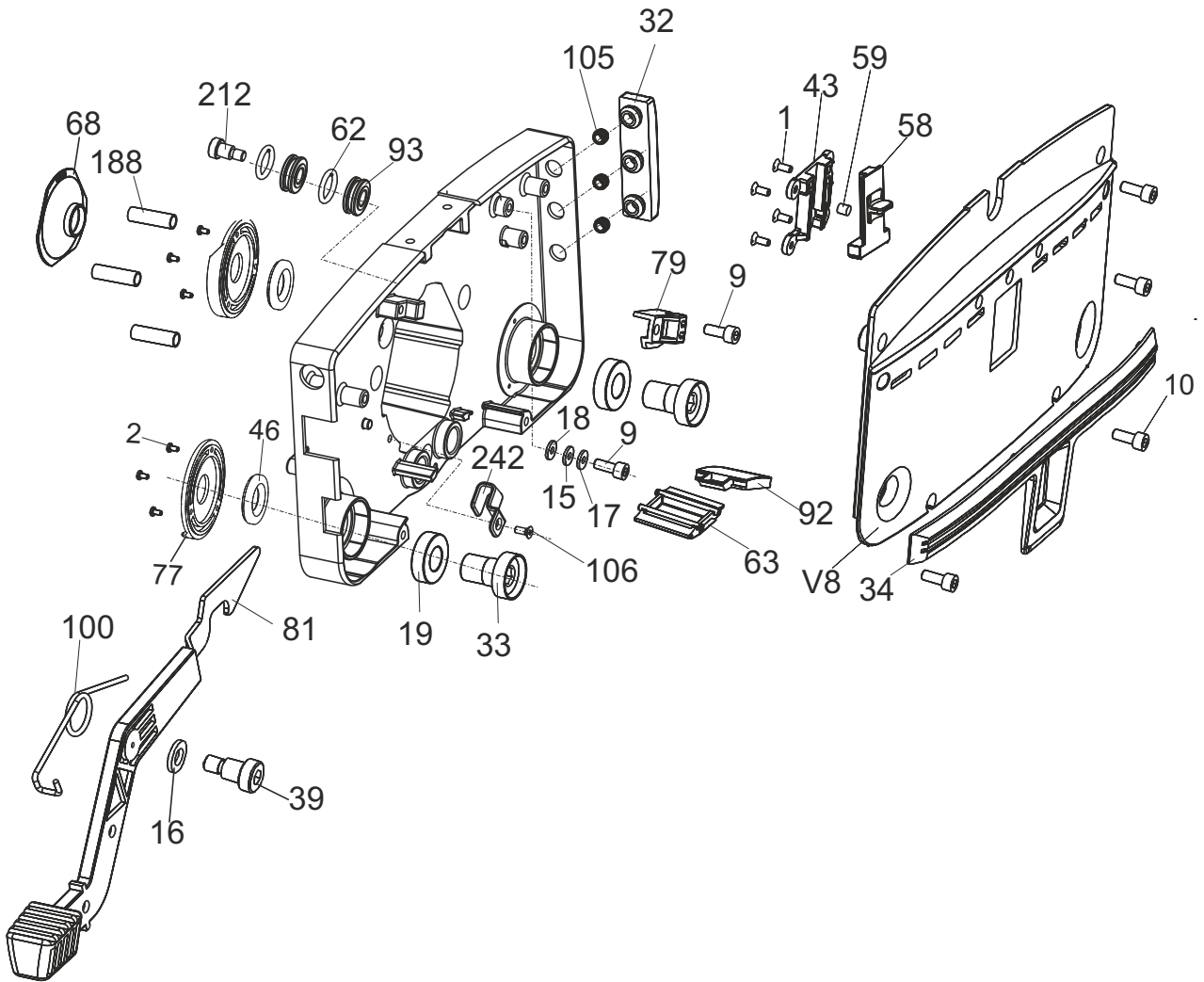
Wizaard 34P



HOUSING - DRIVE SIDE



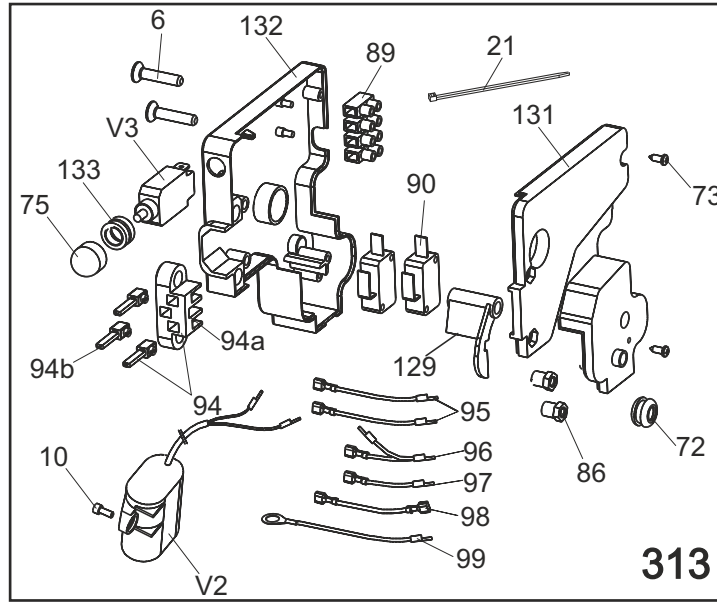
REF. No	Part No	Description	Qty
1	552120004-00	SLOTTED CSK SCREW SS 304 M4 X 10	4
2	552140002-00	CR PAN HEAD SCREW - SS304 - M3X6	6
7	552220011-00	HEX SOC CSK HEAD SCREW - SS304 -M6X14	2
9	552240012-00	HEX SOC HEAD CAP SCREW-SS304-M6X10	2
10	552240013-00	HEX SOC HEAD CAP SCREW-SS304-M6X15	7
11	552240014-00	HEX SOC HEAD CAP SCREW-SS304-M6X20	2
19	552610011-00	DG BALL BEARING 6003 2RS	8
20	553250493-00	BUSH GUIDE MOTOR SHAFT	1
24	553250001-00	BELT-500 5M	1
25	553250002-00	BELT 425 5M	1
28	553250009-00	WASHER-BRIDGE	2
32	553250015-00	BUMPER-FRONT	1
34	553250019-00	BUMPER-COVER	1
42	553250038-00	SLIDER-BRUSH	1
43	553250039-00	HOUSING-SLIDER	1
46	553250043-00	LIP SEAL 17	2
59	553250078-00	PIN-SLIDER	1
62	553250085-00	O RING-WHEEL	2
63	553250087-00	SHIELD-LEVER BOTTOM	1
77	553250113-00	CAP-BEARING	2
80	553250193-00	HOUSING-GEAR SUPPORT	1
92	553250185-00	SHIELD-LEVER-TOP	2
93	553250186-00	IDLER-DRUM	2
105	553250204-00	SLEEVE-BUMPER	3
111	553250059-00	SPROCKET-BRUSH	2
114	553250061-00	SPROCKET-GEAR	2
115	558250157-00	IDLER ASSY-TOOTHED	1
115a	553250062-00	SPROCKET-IDLER	1
115b	553250037-00	HUB-IDLER	2
116	558250158-00	IDLER ASSY-PLAIN	1
116a	553250048-00	SLEEVE-IDLER	1
212	553250187-00	STUB AXLE (29)	1
260	558250066-00	DRUM PINION ASSY	1
311	558250025-00	HOUSING ASSY-GEAR SUPPORT	1
395	553250567-00	GEAR LH - NEW	1
396	553250568-00	GEAR RH - NEW	1
V7	558250916-00	HOUSING ASSY DRIVE - 34 - ORANGE	1
V8	553250456-00	COVER HOUSING-ORANGE	1
V10	558250468-00	HOUSING ASSY COMPLETE DRIVE-34-ORANGE	1
V12	558250471-00	COVER ASSY COMPLETE DRIVE-ORANGE	1



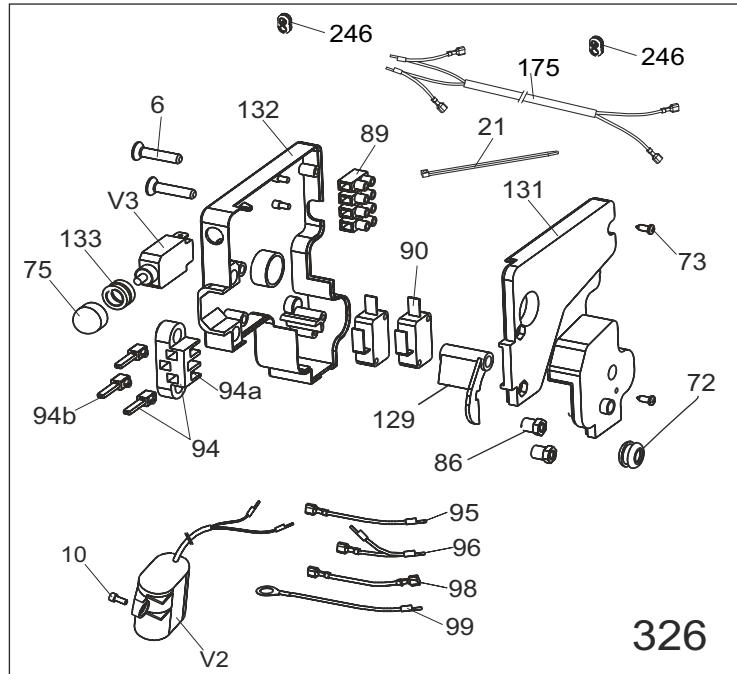
HOUSING - IDLE SIDE



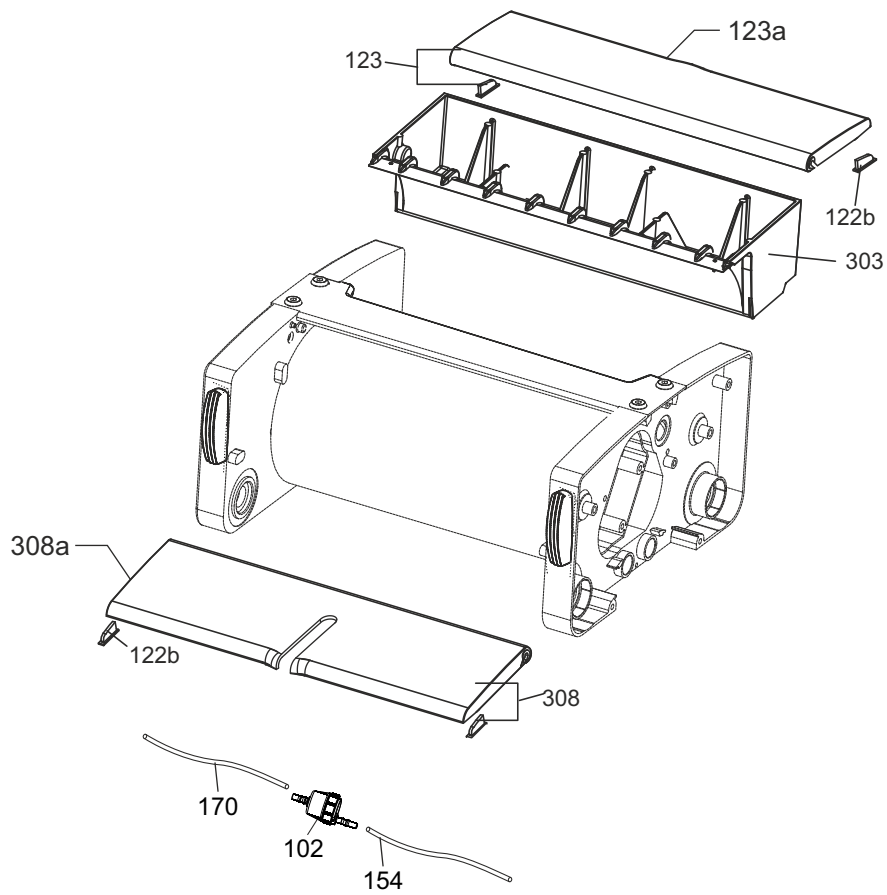
REF. No	Part No	Description	Qty
1	552120004-00	SLOTTED CSK SCREW SS 304 M4 X 10	4
2	552140002-00	CR PAN HEAD SCREW - SS304 - M3X6	6
9	552240012-00	HEX SOC HEAD CAP SCREW-SS304-M6X10	2
10	552240013-00	HEX SOC HEAD CAP SCREW-SS304-M6X15	4
15	552360011-00	WASHER-SS304-6.4X12.5X1.6	1
16	552360013-00	WASHER-SS304-8.4X17X1.6	1
17	552510004-00	SPRING WASHER - STEEL - M6	1
18	552530004-00	EXTERNAL TOOTHED LOCK WASHER - M6	1
19	552610011-00	DG BALL BEARING 6003 2RS	2
32	553250015-00	BUMPER-FRONT	1
33	553250016-00	BUSH-BRUSH SHAFT	2
34	553250019-00	BUMPER-COVER	1
39	553250031-00	STUB AXLE	1
43	553250039-00	HOUSING-SLIDER	1
46	553250043-00	LIP SEAL 17	2
58	553250070-00	SLIDER-TRANSPORT	1
59	553250078-00	PIN-SLIDER	1
62	553250085-00	O RING-WHEEL	2
63	553250087-00	SHIELD-LEVER BOTTOM	1
68	553250093-00	COVER-FAN	1
77	553250113-00	CAP-BEARING	2
79	553250127-00	STOPPER-LEVER	1
81	558250001-00	PEDAL	1
92	553250185-00	SHIELD-LEVER-TOP	1
93	553250186-00	IDLER-DRUM	2
100	553250294-00	SPRING-PEDAL	1
105	553250204-00	SLEEVE-BUMPER	3
106	552120003-00	SLOTTED CSK SCREW SS 304 M4X8	1
188	553250177-00	SLEEVE-TIE ROD	3
212	553250187-00	STUB AXLE (29)	1
242	553250272-00	CLAMP- WIRE	1
V5	558250466-00	HOUSING ASSY IDLE-34-ORANGE	1
V8	553250456-00	COVER HOUSING-ORANGE	1
V11	558250467-00	HOUSING ASSY COMPLETE IDLE-34-ORANGE	1
V13	558250470-00	COVER ASSY COMPLETE IDLE-ORANGE	1



REF. No	Part No	Description	Qty
6	552220005-00	HEX SOC CSK HEAD SCREW - SS304 -M5X25	2
10	552240013-00	HEX SOC HEAD CAP SCREW-SS304-M6X15	1
21	552670017-00	WIRE TIE - 75MM	3
72	553250100-00	GROMMET	1
73	553250104-00	B3.5X9.5 SELF TAPPING SCREW	2
75	553250108-00	CAP-CIRCUIT BREAKER	1
86	553250168-00	NUT-INSULATION	2
89	553250172-00	CONNECTOR-2.5 SQ.MM	1
90	553250173-00	SWITCH	2
94	558250024-00	SOCKET ASSY	1
94a	553250362-00	SOCKET	1
94b	553250302-00	TERMINAL-SOCKET	3
95	558250002-00	CONNECTOR ASSY-BLUE-SOP-SWA	2
96	558250003-00	CONNECTOR ASSY-BROWN-CBA-COP-COP	1
97	558250004-00	CONNECTOR ASSY-BROWN-SOP-SWA	1
98	558250005-00	CONNECTOR ASSY-BROWN-SOP-SWA	1
99	558250006-00	CONNECTOR ASSY-G/Y-SOP-RING	1
129	553250356-00	LEVER-SWITCH-ACT	1
131	553250360-00	INSULATION-TOP	1
132	553250361-00	INSULATION-BOTTOM	1
133	553250370-00	NUT-CIRCUIT BREAKER	1
313	558250026-00	ELECTRICAL ASSY-N/T (230V/50HZ)	1
V2	558250029-00	CAPACITOR 13MFD	1
V3	553250145-00	CIRCUIT BREAKER - 3.5A	1

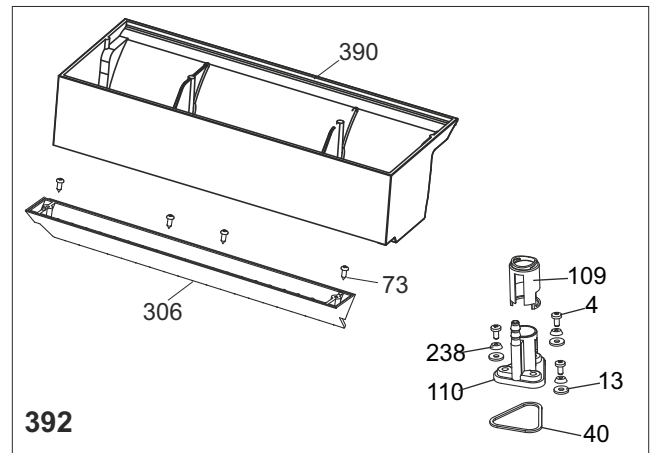
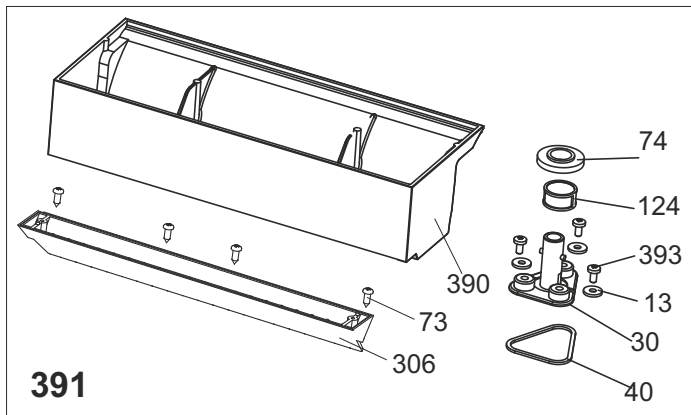


REF. No	Part No	Description	Qty
6	552220005-00	HEX SOC CSK HEAD SCREW - SS304 -M5X25	2
10	552240013-00	HEX SOC HEAD CAP SCREW-SS304-M6X15	1
21	552670017-00	WIRE TIE - 75MM	3
72	553250100-00	GROMMET	1
73	553250104-00	B3.5X9.5 SELF TAPPING SCREW	6
75	553250108-00	CAP-CIRCUIT BREAKER	1
86	553250168-00	NUT-INSULATION	2
89	553250172-00	CONNECTOR-2.5 SQ.MM	1
90	553250173-00	SWITCH	2
94	558250024-00	SOCKET ASSY	1
94a	553250362-00	SOCKET	1
94b	553250302-00	TERMINAL-SOCKET	3
95	558250002-00	CONNECTOR ASSY-BLUE-SOP-SWA	1
96	558250003-00	CONNECTOR ASSY-BROWN-CBA-COP-COP	1
98	558250005-00	CONNECTOR ASSY-BROWN-SOP-SWA	1
99	558250006-00	CONNECTOR ASSY-G/Y-SOP-RING	1
129	553250356-00	LEVER-SWITCH-ACT	1
131	553250360-00	INSULATION-TOP	1
132	553250361-00	INSULATION-BOTTOM	1
133	553250370-00	NUT-CIRCUIT BREAKER	1
175	558250007-00	CONNECTOR ASSY-34P	1
246	553250378-00	GROMMET (2 CABLE)	2
326	558250027-00	ELECTRICAL ASSY-13 MFD-34P	1
V2	558250029-00	CAPACITOR 13MFD	1
V3	553250145-00	CIRCUIT BREAKER - 3.5A	1



W 34N

W 34T

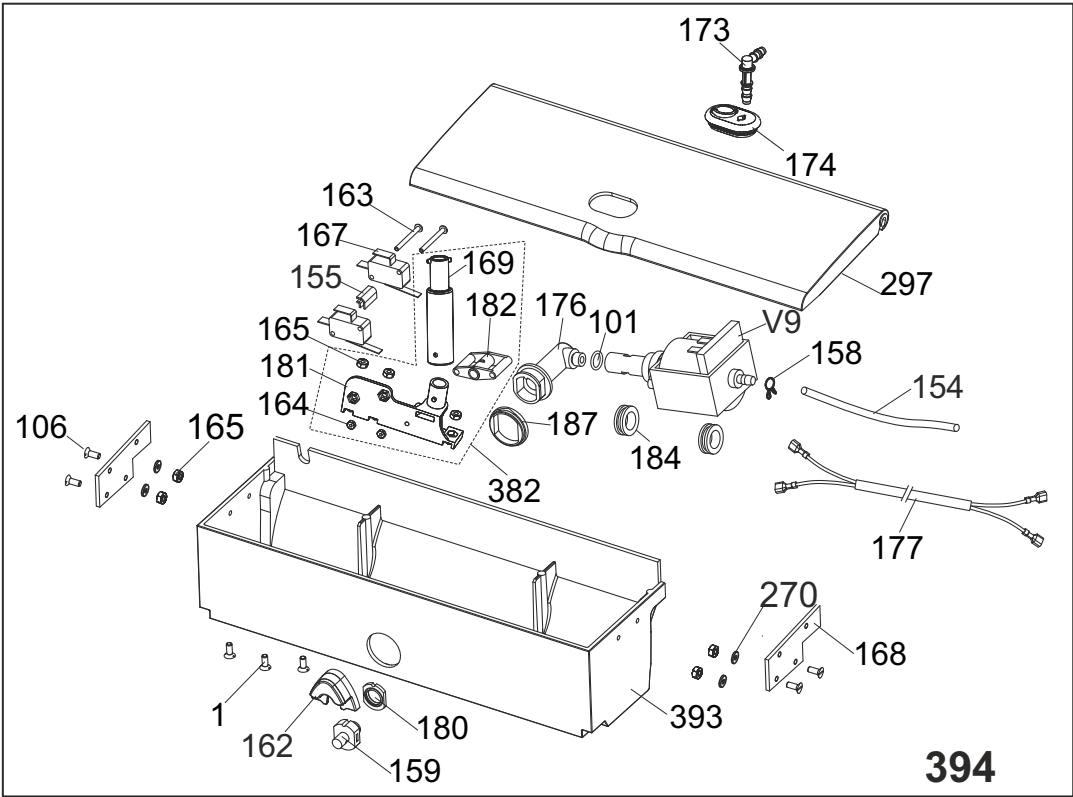
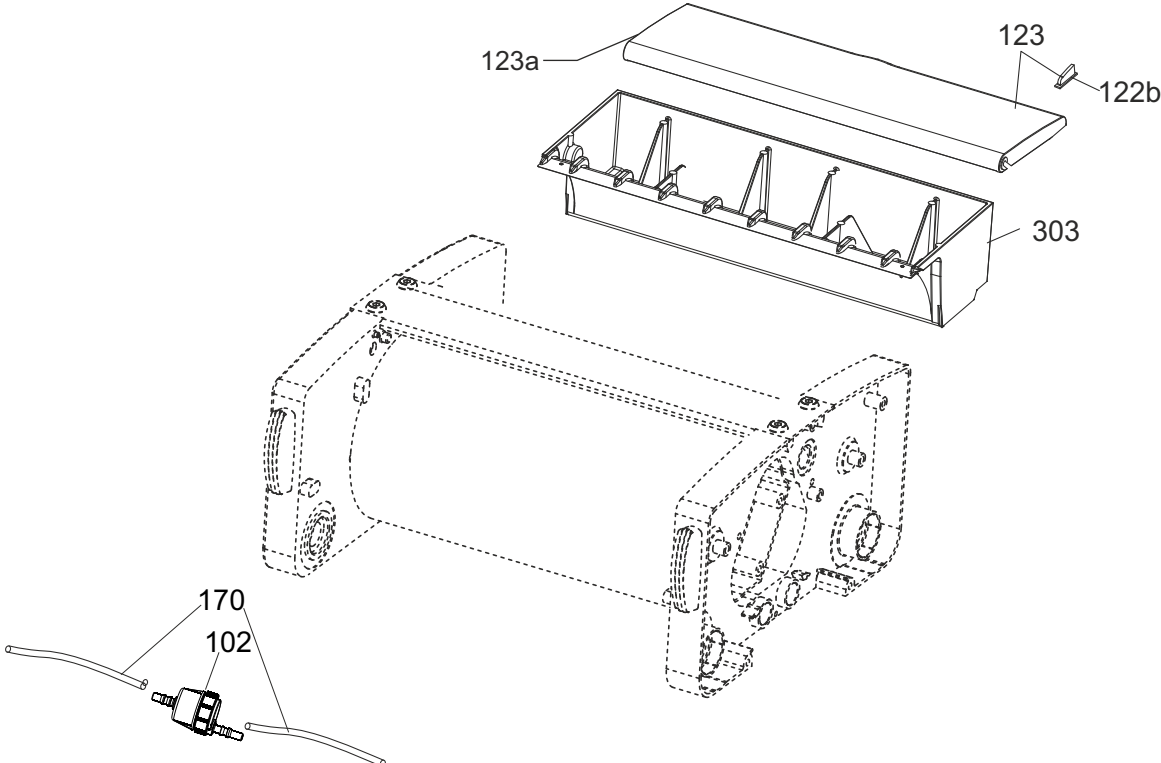


W 34N

REF. No	Part No	Description	Qty
13	552360005-00	WASHER-SS304-4.2X12X1.6	3
30	553250012-00	BODY-VALVE	1
40	553250033-00	GASKET-VALVE	1
73	553250104-00	B3.5X9.5 SELF TAPPING SCREW	4
74	553250107-00	SLEEVE - VALVE	1
122b	553250141-00	PAD-LID	4
123	558250173-00	LID ASSY-DIRTY WATER TANK	1
123a	553250115-00	LID-DIRTY WATER TANK	1
124	558250176-00	STRAINER ASSY	1
303	558250643-00	TANK ASSY COMPLETE-DIRTY WATER-34-GREY	1
306	553250430-00	CHANNEL TANK-34-UP	1
308	558250711-00	LID ASSY FRESH WATER-34-UNIPROF	1
308a	558250710-00	LID FRESH WATER-34-UNIPROF	1
390	558250484-00	TANK FRESH WATER W/LABEL-34-STD GREY	1
391	558250474-00	TANK ASSY COMPLETE FW-34N-STD GREY	1
393	552140007-00	CR PAN HEAD SCREW - SS304 - M4X10	3

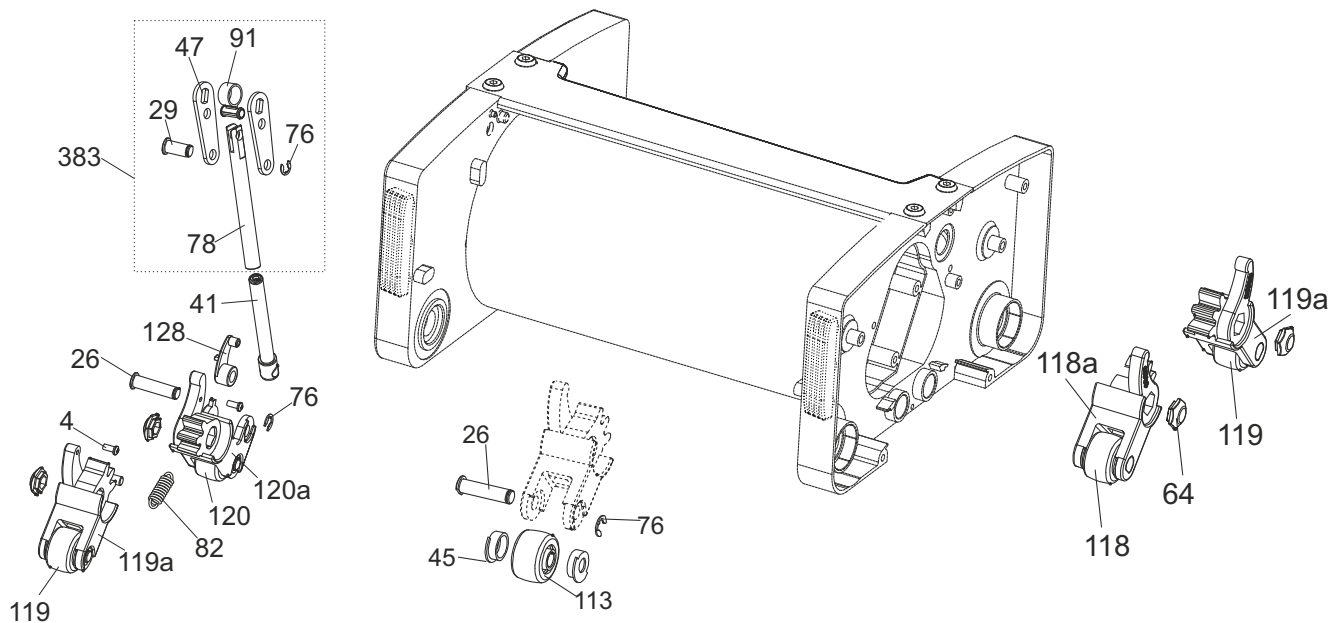
W 34T

REF. No	Part No	Description	Qty
4	552140008-00	CR PAN HEAD SCREW - SS304 - M4X12	3
13	552360005-00	WASHER-SS304-4.2X12X1.6	3
40	553250033-00	GASKET-VALVE	1
73	553250104-00	B3.5X9.5 SELF TAPPING SCREW	4
102	558250369-00	FILTER ASSY	1
109	553250206-00	FILTER-34T	1
110	558250112-00	BODY VALVE-T	1
122b	553250141-00	PAD-LID	4
123	558250173-00	LID ASSY-DIRTY WATER TANK	1
123a	553250115-00	LID-DIRTY WATER TANK	1
154	553250196-00	HOSE - 275	1
170	553250196-00	HOSE-VALVE-165	1
238	553250194-00	SEAL-TOP	3
303	558250643-00	TANK ASSY COMPLETE-DIRTY WATER-34-GREY	1
306	553250430-00	CHANNEL TANK-34	1
308	558250711-00	LID ASSY FRESH WATER-34	1
390	558250484-00	TANK FRESH WATER W/LABEL-34-STD GREY	1
392	558250475-00	TANK ASSY COMPLETE FW-34T-STD GREY	1



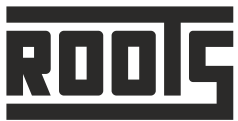
REF. No	Part No	Description	Qty
1	552120004-00	SLOTTED CSK SCREW SS 304 M4 X 10	3
101	553250322-00	O-RING-PUMP	1
102	558250369-00	FILTER ASSY	1
106	552120005-00	SLOTTED CSK SCREW-SS304-M4X12	4
122b	553250141-00	PAD-LID	2
123	558250173-00	LID ASSY-DIRTY WATER TANK	1
123a	553250115-00	LID-DIRTY WATER TANK	1
154	553250336-00	HOSE-VALVE (275MM)	1
155	553250337-00	INSULATION-SWITCH	1
158	553250366-00	CLIP-HOSE	1
159	558250352-00	NOZZLE ASSY-STD	1
162	558250364-00	BOOT-NOZZLE	1
163	552140004-00	CR PAN HEAD SCREW - SS304 - M3X 30	2
164	552180002-00	HEX NUT - SS 304 - M3	2
165	552180003-00	HEX NUT - SS 304 - M4	7
167	553250163-00	LIMIT SWITCH	2
168	553250175-00	STRIP-LID	2
169	553250190-00	EXTENSION BASE SWITCH	1
170	553250196-00	HOSE-VALVE-165	2
173	553250215-00	CONNECTOR- HOSE-34P	1
174	553250348-00	BOOT- HOSE	1
176	558250010-00	ADAPTOR NOZZLE	1
177	558250060-00	CONNECTOR ASSY-PUMP HOUSING	1
180	553250293-00	SEAL-NOZZLE	1
181	553250296-00	BASE-SWITCH	1
182	553250299-00	LEVER	1
184	553360101-00	SUPPORT RING PUMP	2
187	553250321-00	SPACER-NOZZLE	1
270	552360002-00	WASHER-SS304- 4.0X8.0X0.5	4
297	558250658-00	LID ASSY PUMP HOUSING-34-GREY	1
303	558250643-00	TANK ASSY COMPLETE-DIRTY WATER-34-GREY	1
393	558250485-00	PUMP HOUSING W/LABEL-34-STD GREY	1
394	558250476-00	PUMP HOUSING COMPLETE-3235-STD GREY	1
382	558250064-00	BASE SWITCH ASSY	1
V9	553250327-00	VIBRATING PUMP (230V-50HZ)	1

LEVER & GUIDE LINK MECHANISM



REF. No	Part No	Description	Qty
4	552140008-00	CR PAN HEAD SCREW - SS304 - M4X12	2
26	553250005-00	CLEVIS PIN-WHEEL	5
29	553250011-00	CLEVIS PIN-LEVER	1
41	553250034-00	LINK	1
45	553250042-00	SHIELD-WHEEL	8
47	553250044-00	LEVER-BRUSH ACTUATION	2
64	553250089-00	BUTTON LEVER	4
76	553250112-00	CIRCLIP - E6.0	6
78	553250121-00	GUIDE-LINK	1
82	553250157-00	SPRING-LEVER	1
91	553250182-00	SPACER-LEVER	1
113	558250153-00	WHEEL	4
118	558250162-00	LEVER ASSY-DRIVEN	1
118a	553250072-00	LEVER-DRIVEN	1
119	558250163-00	LEVER ASSY-IDLER	2
119a	553250073-00	LEVER-IDLER	2
120	558250164-00	LEVER ASSY-DRIVER	1
120a	553250074-00	LEVER-DRIVER	1
128	553250355-00	LEVER SWITCH	1
383	558250167-00	GUIDE-LINK-ASSY	1





Roots Multiclean Ltd.

R.K.G. Industrial Estate, Ganapathy,
Coimbatore - 641 006, India.

Phone: +91 (422) 4330 330

E-mail: rmclsales@rootsemail.com

Web: rootsmulticlean.in

Toll Free: 1800 425 1330